

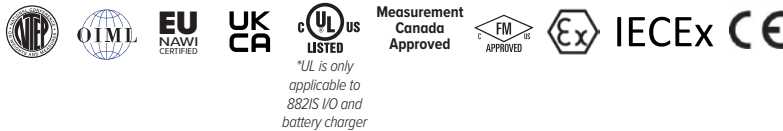
# 882IS/882IS Plus

Intrinsically Safe Digital Weight Indicator

HAZARDOUS LOCATION  
INSTRUMENTATION



## Approvals



## Standard Features

- LCD display with white LED backlight
- T4 temperature rating
- Battery life display icon
- Numeric keypad (882IS Plus)
- Duplex fiber -optic interface
- Power ON/OFF; battery save mode
- Configurable local/remote mode
- I/O module option: one serial port, optional analog output, optional fieldbus cards, Ethernet TCP/IP
- Time & date (requires I/O module)
- Setpoint functionality using secondary 920i indicator
- FM Entity Approved for use in hazardous locations per Rice Lake Weighing Systems control drawing file number 180948

Rice Lake Weighing Systems warrants that all Rice Lake Weighing Systems intrinsically safe (IS) equipment and systems installed by a qualified electrician will operate per written specifications as confirmed by the distributor/OEM and accepted by Rice Lake Weighing Systems. All systems and components are warranted against defects in materials and workmanship for one year. All Rice Lake Weighing Systems intrinsically safe equipment carries a Factory Mutual approval and is documented on various control drawings. Each device is manufactured by Rice Lake Weighing Systems factory authorized personnel. To preserve the warranty and Factory Mutual approval, all repairs or replacement of circuit boards or components housed within the enclosures must be performed by Rice Lake Weighing Systems factory authorized personnel.



**CAUTION!** The equipment contained within this Explosive Environment section requires greater attention to specification and installation guidelines. Improper specification, installation or service of these products can result in loss of equipment or serious injury.

## Specifications

### Power:

Input: 5.8 to 7.9 VDC, 100 to 175 mA

### Power Consumption:

0.25 W

### Battery (optional):

60 hours with 4 × 350 ohm load cells  
80 to 100 hours with 1 × 350 ohm load cell  
8 to 10 hour charging time

### Load Cell Excitation:

3.0 VDC at 87.5 ohm, 4.6 VDC at 700 ohm

### Load Cell Current:

34 mA 4 × 350 ohm load cells or 8 × 700 ohm load cells

### Load Cell Cabling:

Four- and six- wire with remote sensing (recommended)

### Analog Signal Input Range:

-0.5 mV/V to 4.0 mV/V

### Analog Signal Sensitivity:

0.2 μV/graduation minimum  
1.5 μV/graduation recommended

### Resolution:

Internal: 1,000,000 counts

Display: 10,000

The maximum number of allowed graduations will vary by application

### Conversion Rate:

60 updates/second

### Annunciators:

Center of Zero, Gross, Net, Motion, lb, kg, oz, g

### Motion Band:

Configurable to ± 1 or ± 3 graduations,  
1 second delay (or Off)

### Display Increments:

1, 2, 5

### Display:

Seven-digit, seven-segment LCD display 121 × 24 dot matrix messaging area with white LED backlight

### Keys/Buttons:

Flat membrane panel, tactile feel

**882IS:** Zero, Gross/Net, Tare, Print, Units Conv, Start, Stop, On/Off

**882IS Plus:** Zero, Gross/Net, Tare, Print, Units Conv, Start, Stop, Full numeric keypad, On/Off

### Temperature:

14 °F to 104 °F (-10 °C to 40 °C)

### Rating/Material:

IP66 enclosure

Stainless steel

### Weight:

6.1 lb (2.8 kg)

### Warranty:

One-year limited

### Intrinsic Safety:

FM/cFM

Class I,II,III, Division 1, Groups ABCDEFG T4

Class I, Zone 0 AEx/Ex ia IIC T4 Ga

Zone 21 AEx/Ex ib IIC T135°C Db

Ta = -10 °C to 40 °C (14 °F to 104 °F)

ATEX/IECEx

II 1 G Ex ia IIC T4 Ga

II 2 D Ex ib IIC T135°C Db

### Approvals:

NTEP CC 19-015

Measurement Canada AM-6124C

OIML R76/2006-A-NL1-21.11

EU Test Certificate T11166

CE Marked

UKCA

cULus Listed\*

FM Entity

EX-ATEX

IECEx

\*cULus is only applicable to 882IS I/O and battery charger

# 882IS/882IS Plus

Intrinsically Safe Digital Weight Indicator

## Part Number/Price

Part #	Description	Price
<b>882IS</b>		
195091	882IS 7.5VDC with standard tilt stand	Consult
185288†	882IS with battery and charger (North American plug)	Consult
194231††	882IS with battery and charger (EU plug)	Consult
196273†††	882IS with battery and charger (AU plug)	Consult
185290	882IS with power supply with 10 ft cable	Consult
194235	882IS indicator with power supply and metric thread adapter	Consult
<b>882IS Plus</b>		
195092	882IS Plus 7.5VDC with standard tilt stand	Consult
185291†	882IS Plus with battery and charger (North American plug)	Consult
194233	882IS Plus with battery and charger (EU plug)	Consult
196274†††	882IS Plus with battery and charger (AU plug)	Consult
185293	882IS Plus with power supply	Consult
194236	882IS Plus indicator with power supply and metric thread adapter	Consult



† US plug (NA) - Type B



†† Euro Plug - Type E



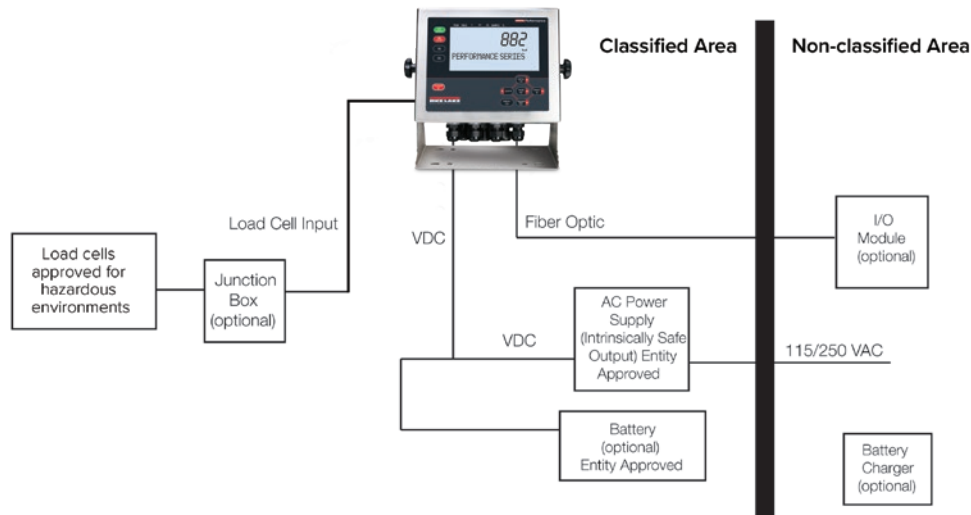
††† BS1363 (UK) - Type G



†††† AS 3112 (Australian) - Type I

## Options/Accessories

Part #	Description	Price
180831	Battery option, IS6V2	Consult
194191	Battery charger, IS6V2, 100-240 VAC NEMA 5-15 (North American plug)	Consult
194189	Battery charger, IS6V2 100-240 VAC (EU plug)	Consult
194192	Battery charger, IS6V2 100-240 VAC (UK plug)	Consult
197591	Battery charger, IS6V2 100-240 VAC (Australian plug)	Consult
180837	Power supply, 882IS mb-EPS-100-240-X2, dual output 6.8 VDC 200mA	Consult
195109	Power supply, 882IS mb-EPS-100-240-X2, dual output 6.8 VDC 200mA, 1/2 in NPT-M20	Consult
179668	Cable, M12 power 22 in hazardous location (for battery version)	Consult
179669	Cable, M12 power 10 ft hazardous location	Consult
179670	Cable, M12 power 50 ft hazardous location	Consult
179671	Cable, M12 power 100 ft hazardous location	Consult
190979	Lockout device for M12 cable	Consult
163751	Tilt stand, 882IS	Consult
179678	Tilt stand, 882IS battery option	Consult
177850	Panel mount option, gasketed non-NEMA seal	Consult
206735	Battery tester, 882IS	Consult



Complete Control Drawings available at [www.ricelake.com](http://www.ricelake.com)

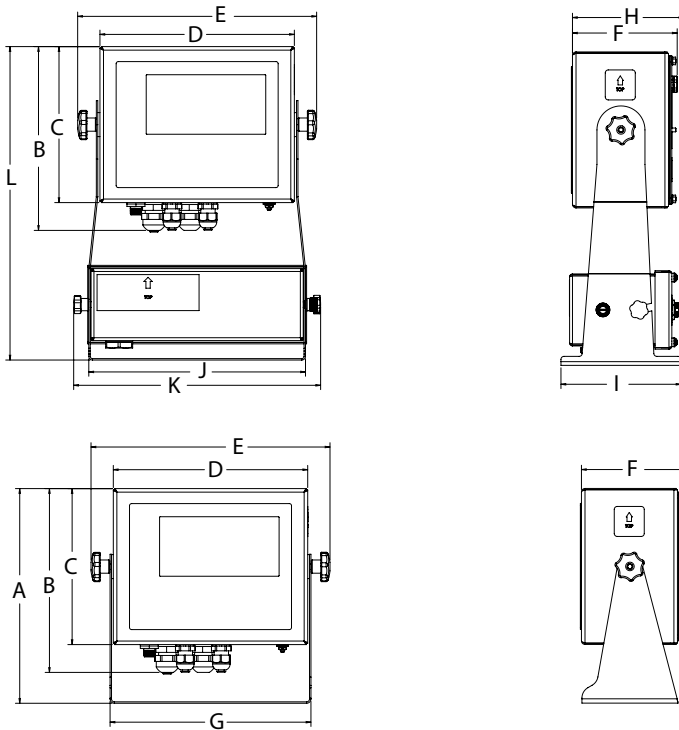
# 882IS/882IS Plus

Intrinsically Safe Digital Weight Indicator

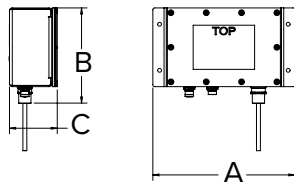
## Dimensions

882IS/882IS Plus			
Without Battery			
A	8.94 in (227 mm)	E	9.96 in (253 mm)
B	7.66 in (195 mm)	F	4.36 in (111 mm)
C	6.50 in (165 mm)	G	8.37 in (213 mm)
D	8.10 in (206 mm)		
With Optional Battery and Tilt Stand			
H	4.64 in (118 mm)	K	10.29 in (261 mm)
I	5.00 in (127 mm)	L	13.06 in (332 mm)
J	9.03 in (229 mm)		

HAZARDOUS LOCATION INSTRUMENTATION



882IS/882IS Plus			
Optional Power Supply			
A	9.25 in (235 mm)	C	3.11 in (79 mm)
B	6.20 in (158 mm)		



## Optional I/O Module

Part #	Description	Price
177709	Module, 882 Smart I/O interface	Consult
196166	Module, 882 Smart I/O (EU power cord)	Consult
196769	Option, fiber/RS232 6x6 FRP enclosure, fiber-optic 232 converter, external power supply	Consult
196770	Option, fiber/RS422 6x6 FRP enclosure, fiber-optic RS422 converter, external power supply	Consult
78026	Cable, plastic optical 100 ft. includes polishing kit	Consult
78027	Cable, plastic optical 200 ft. includes polishing kit	Consult
197384	Kit, polishing POF cable	Consult
Option Cards		
190528	Single analog output (0-10 VDC, 0-20 mA, 4-20 mA)	Consult
190530	882 option, Ethernet/IP	Consult
190531	882 option, DeviceNet	Consult
190532	882 option, ProfiNet	Consult
190534	882 option, Profibus	Consult
190533	882 option, Modbus TCP	Consult
190535	882 option, EtherCAT	Consult
Remote Indicator for Setpoint Functionality		
203343	920i universal indicator, 115 VAC, no A/D, with 882IS iRite software for setpoints	Consult
203344	920i wall mount indicator, 115 VAC, no A/D, with 882IS iRite software for setpoints - required fiber converts (PN 196769 and PN 196770)	Consult

**HAZARDOUS LOCATION INSTRUMENTATION**

## Dimensions

882IS/882IS Plus			
Optional I/O Module			
A	10.00 in (254 mm)	C	6.91 in (176 mm)
B	9.13 in (232 mm)	D	4.00 in (102 mm)

