

INDICATORS

882IS/882IS Plus Intrinsically Safe Digital Weight Indicator



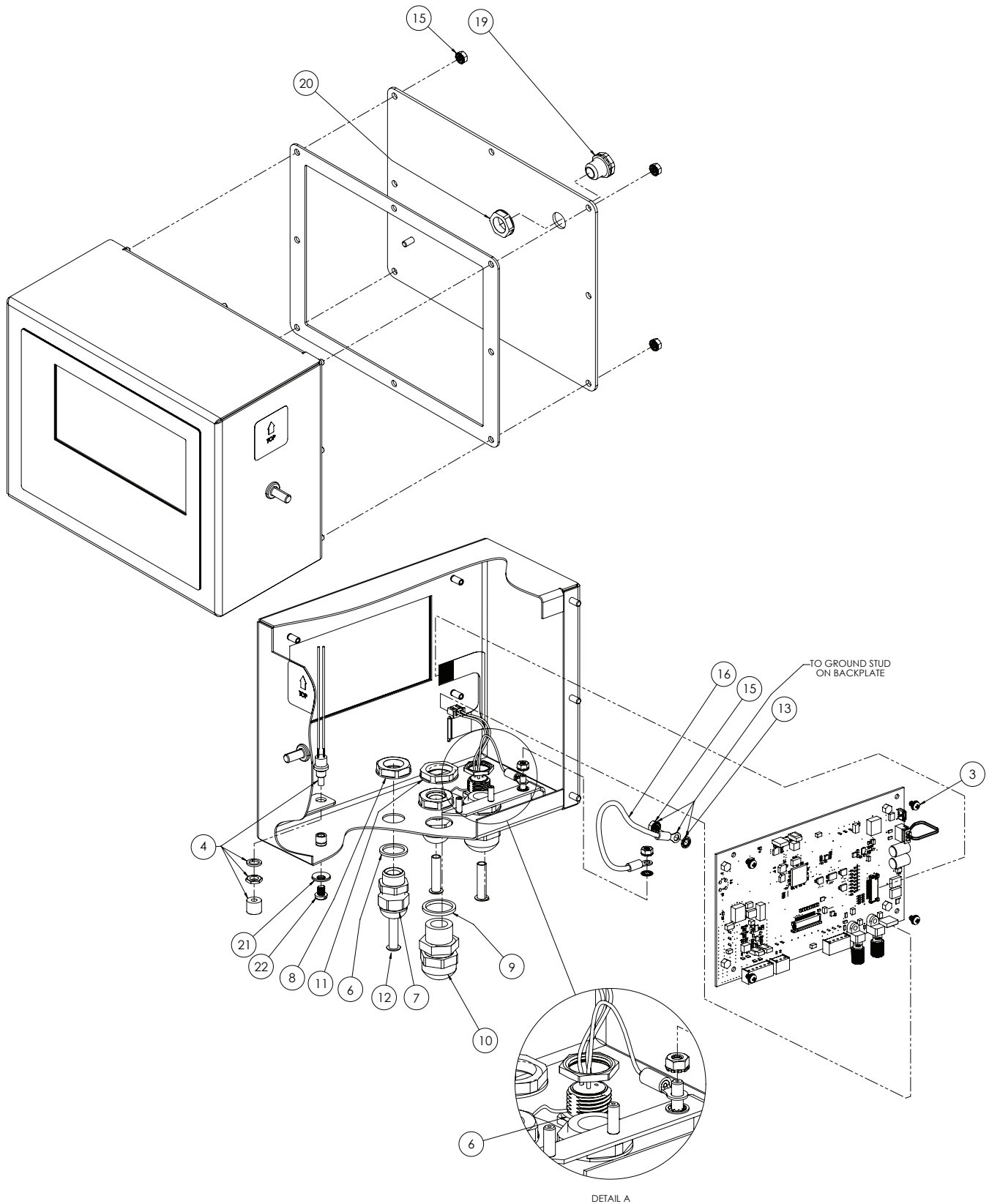
Part Number/Price

Ref#	Part#	Description	Price
3	180824	Mach screw, M3x0.5x5 mm Phillips pan head SEMS 18-8 sst	Consult
4	44845	Setup switch assy	Consult
6	30375	Seal ring, PG9 nylon	Consult
7	15626	Cord grip, PG9 plastic	Consult
8	15627	Lock nut, PG9 plastic	Consult
9	68599	Seal ring, PG11	Consult
10	68600	Cord grip, PG11	Consult
11	68601	Nut, PG11 black nylon	Consult
12	19538	Post, slotted black seal 1/4 x 1, cord grip - post only	Consult
13	180856	Washer, M4 internal tooth sst	Consult
15	180826	Nut, KEP M4x0.7 external tooth lock washer 18-8 sst	Consult
16	15601	Wire, ground 6 in w/no 8 eye connector	Consult
19	88733	Vent, breather sealed Gortex membrane black plastic	Consult
20	88734	Nut, breather vent M12 x 1 thread	Consult
21	46381	#10, Bonded sealing washer, 18-8 stainless steel	Consult
22	180861	Screw, mach M5x0.8x10 mm slotted drilled cheese head sst	Consult
	163751	Indicator tilt stand	Consult
	180825	Indicator knobs	Consult
	103988	Tilt stand washers	Consult
	179678	Battery tilt stand	Consult
	180863	Battery knobs	Consult
	163751	Tilt stand, 880 desktop	Consult
	180831	Battery option, IS-6VDC	Consult
	194191	Battery charger, IS6V2, 100-240VAC NEMA 5-15 (North American plug)	Consult
	194189	Battery charger, IS6V2 100-240VAC (EU plug)	Consult
	194192	Battery charger, IS6V2 100-240VAC (UK plug)	Consult
	197591	Battery charger, IS6V2 100-240VAC (Australian plug)	Consult
	180837	Power supply, 882IS IS-EPS-100-240VAC, dual output 6.8VDC 200mA	Consult
	179668	Cable, M12 power 22 in hazardous location (for battery version)	Consult
	179669	Cable, M12 power 10 ft hazardous location	Consult
	179670	Cable, M12 power 50 ft hazardous location	Consult
	179671	Cable, M12 power 100 ft hazardous location	Consult
	190979	Lockout device, M12 cable	Consult
	213705	882IS battery replacement barrier assembly	Consult

(See Diagram 882IS/882IS Plus)

Indicators/Controllers

882IS/882IS Plus Intrinsically Safe Digital Weight Indicator



Indicators/Controllers

882IS/882IS Plus