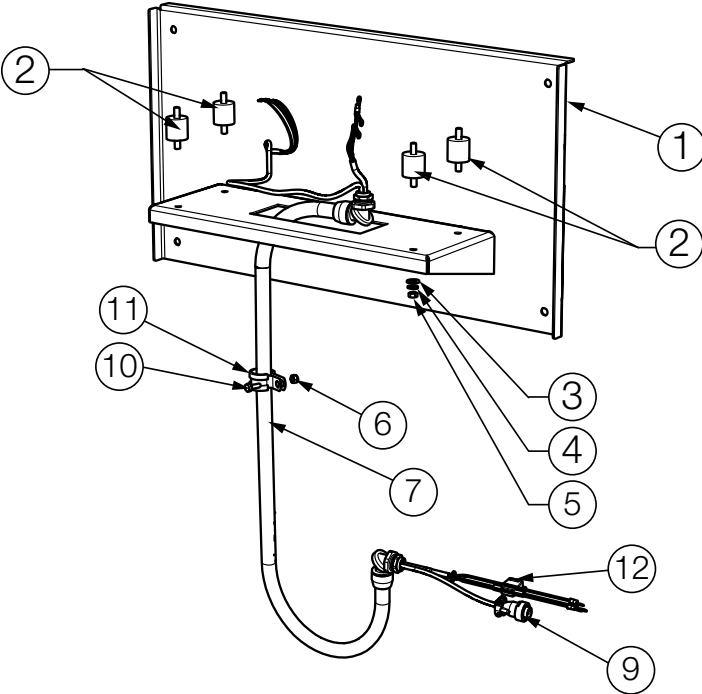


920i® Weigh Center

Mounting and Wiring Assembly



LIVESTOCK
REPLACEMENT PARTS

920i® Weigh Center

Mounting and Wiring Assembly



Part Number/Price

Item #	Part #	Description
1	131532	Weigh center platform
2	131458	Anti-vibration mount
3	111843	Washer, plain 5/16 type A
4	15153	Washer, lock 5/16 regular
5	126993	Nut, hex 5/16-18 grade 5
6	14635	Nut, lock 1/4-20NC hex
7	131671	Cable assy, MAS control
9	127259	Conn, MS male, complete kit
—	127260	Conn, MS female
—	131454	Shoulder washer, nylon
10	127008	Screw, cap 1/4-20 x 3/4
11	127386	Clamp, 3/4 ID x 5/8 wide
12	126870	Fuse, blade 7.5A 32V ATO

LIVESTOCK
REPLACEMENT PARTS