

# Astra

Main Unit



## Part Number/Price

Ref#	Part#	Description	Price
1	66343	Platter	Consult
2	66344	Filter, display panel	Consult
5	42734	Push rivet	Consult
6	66345	Nameplate, specification	Consult
7	66346	Case, upper	Consult
8	66347	Keyboard, membrane, contacts only	Consult
9	66348	Sheet, keyboard, programming keyboard overlay adhesive back	Consult
10	66349	Keysheet, operator, insert	Consult
11	66350	Keysheet, clear with adhesive	Consult
12	66351	Sticker, level, bubble	Consult
13	66352	Frame, printer	Consult
14	66353	Standoff, A/D support	Consult
15	66354	Sensor, label gap	Consult
16	66355	DC/DC converter	Consult
17	66356	Harness, S2, DC/DC	Consult
18	66357	Motor, stepping print roller drive	Consult
19	66358	Bracket, stepping, motor	Consult
20	66359	Gear, stepping motor	Consult
21	66360	Gear, print roller	Consult
22	66361	Motor, label rewind	Consult
23	66362	Bracket, printhead release	Consult
24	66363	Bracket, frame, printhead	Consult
25	45145	Step, screw, pan	Consult
26	66364	Bracket, printhead lock	Consult
27	66365	Bracket, printhead	Consult
28	45203	Spring, coil, compressive	Consult
29	45237*	Printhead, thermal	Consult
—	48239	Screw, button head, M3x6, printhead mount	Consult
30	66366	Cable, printhead	Consult
31	45222	Shaft, lock	Consult
32	45206	Spring, coil, tension	Consult
33	45221	Shaft, fulcrum, 00-6168-04	Consult
34	45188	Threaded rod, round, FF	Consult
35	45201	Guide, label, outside	Consult
36	45223	Threaded rod, round, FF	Consult
37	66367	Guide, label, inside	Consult
38	66368	Bushing, right, print roller	Consult
39	66369	Roller, printer	Consult
40	66370	Bushing, left, print roller	Consult
41	66371	Plate, label	Consult
42/43	105437	Label take-up kit, reel and lever (without screws)	Consult
44	66374	Label press	Consult
45	66375	Screw, set screw, M3x6	Consult
46	66376	Guide, label lever	Consult
47	66377	Reel, label supply	Consult
48	66378	Reel, label supply holder	Consult
49	66379	Bracket, load cell	Consult
50	44414 †	Load cell, C2G1-25K	Consult
51	44410	Platter support	Consult
52	44406	Rubber, platter support	Consult

\* Same as Ishida 3000 Series

† Same as Ishida Nova-II (30 lb)

(See Diagram Astra-A)

Discontinued Scales

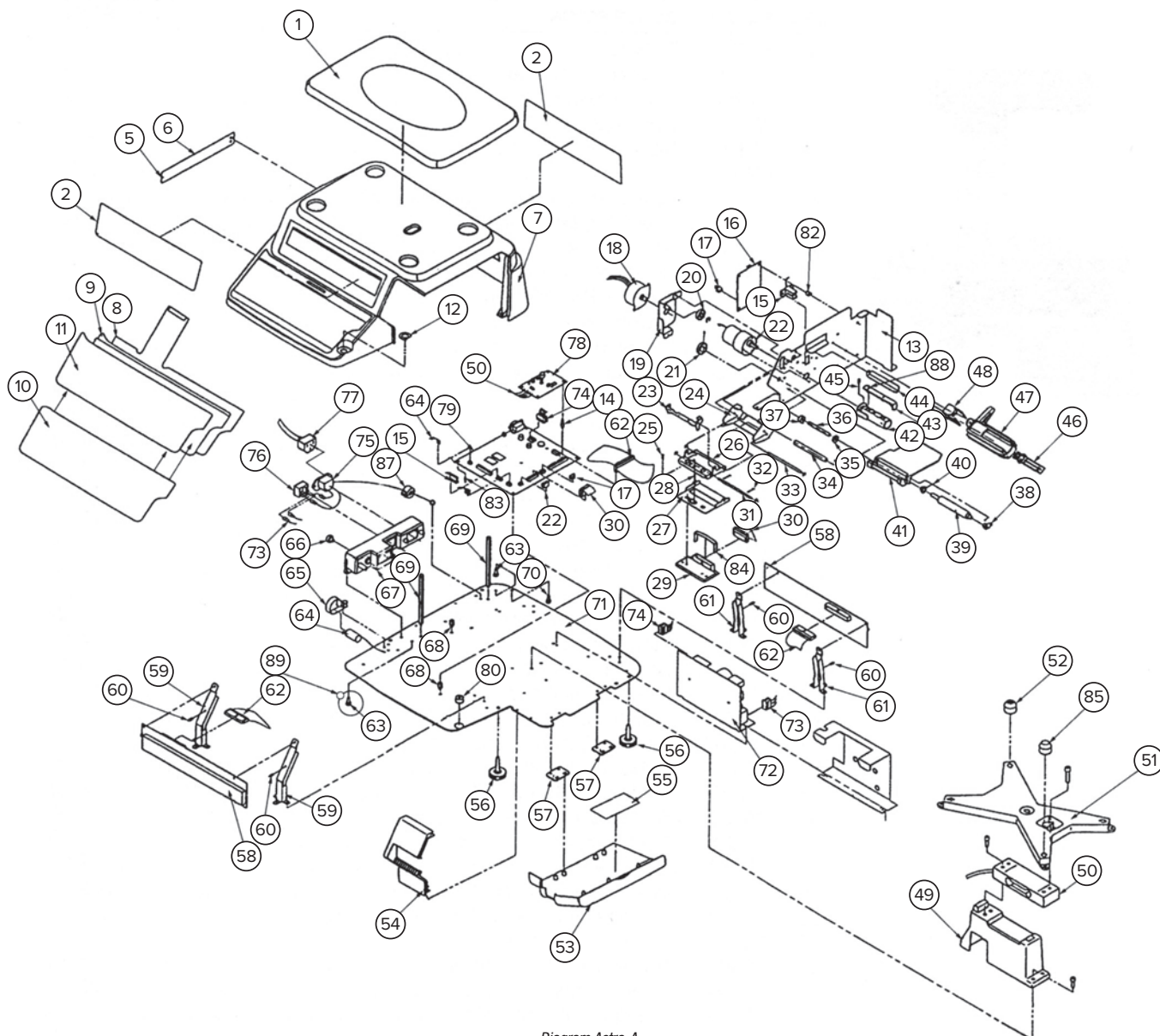


Diagram Astra-A

Parts not listed are no longer available. Some parts listed may not be available.

An ISO 9001 registered company ©2021 Rice Lake Weighing Systems 09/21 Prices and specifications subject to change without notice. Visit [ricelake.com](http://ricelake.com) for current prices.

# Astra

Main Unit



## Part Number/Price

Ref#	Part#	Description	Price
53	66380	Cover, printer door	Consult
54	66381	Cover, front, printhead	Consult
55	66382	Sticker, label roll loading	Consult
56	44423*	Leg, adjusting, 23-3052-05	Consult
57	66383	Hinge, printer door	Consult
58	66384	Board, display, PK-221	Consult
59	66385	Bracket, display, front	Consult
60	66386	Standoff display	Consult
61	66387	Bracket, display, rear	Consult
62	66389	Cable, S3, display	Consult
63	45128	Screw, sealing, brass, 00-6609-00	Consult
64	66388	Battery	Consult
65	66390	Clamp, battery	Consult
66	44474	Screw, sealing, nylon, 89-2025-09	Consult
67	66391	Bracket, case, connector	Consult
68	66392	Standoff, main board	Consult
69	66393	Standoff, overload	Consult
70	66394	Screw, sealing, brass, self tapping	Consult
71	66395	Base, base plate	Consult
72	77975	Power supply, switching, SWD100P	Consult
—	77889	Fuse, power supply, 5A, 250V, 5x20	Consult
73	66396	Cable, C3, power, in from switch	Consult
74	47073	Harness, S2, PS, out to CPU, 47-3677-19	Consult
75	66397	Socket assembly, C4, power cord	Consult
76	66398	Switch, power	Consult
77	15438	Power cord	Consult
78	66399	Board, A/D, PK-219	Consult
79	66400	Board, main, PK-220A	Consult
80	44425	Level, Unit, 89-0914-02	Consult
82	66419	Standoff, DC/DC converter	Consult
83	66420	Standoff, mainboard	Consult
84	66401	Clip retainer, printhead	Consult
85	66402	Rubber, plate support, solid	Consult
87	66403	Filter, ferrite	Consult
88	42714	Screw, pan head tapping M4x8	Consult
89	42735	Seal, with wire	Consult

\* Same as Ishida 3000 Series

(Diagram Astra-A)

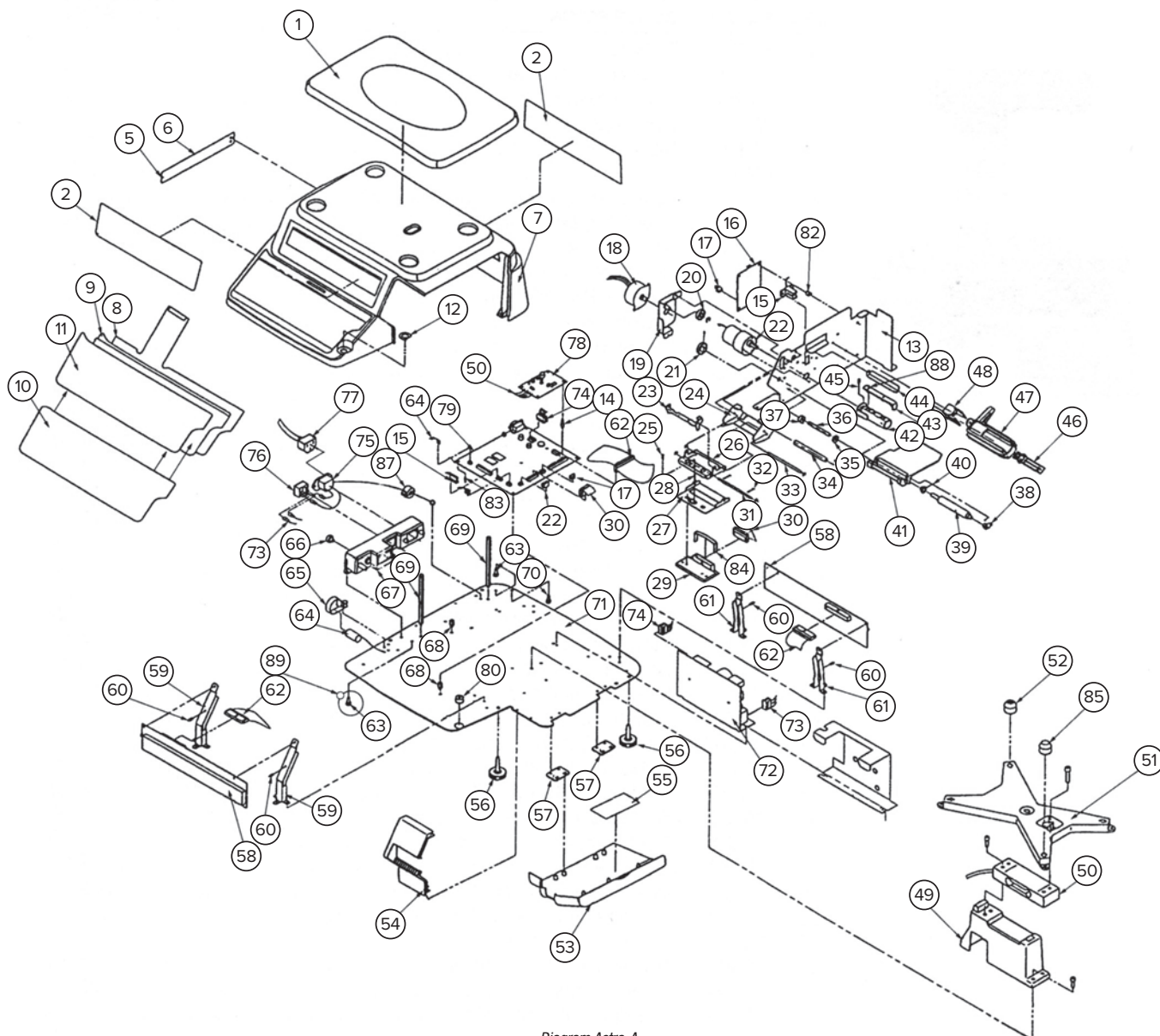


Diagram Astra-A

Parts not listed are no longer available. Some parts listed may not be available.

An ISO 9001 registered company ©2021 Rice Lake Weighing Systems 09/21 Prices and specifications subject to change without notice. Visit [ricelake.com](http://ricelake.com) for current prices.