

BC-4000L2H

Assembly



Part Number/Price

Ref#	Part#	Description	Price
1	102813	Keyboard, membrane, contacts only	Consult
2	102815	Sheet, programming keyboard	Consult
3a	102814	Keysheet, operation insert	Consult
3b	102816	Sheet, clear, with adhesive	Consult
4	Consult	Harness, LCD, 380 mm, operator side	Consult
5	104251	Display, LCD dot	Consult
6	Consult	Bracket seal	Consult
7	66398	Switch	Consult
8	Consult	Handle	Consult
9	Consult	Bracket, left	Consult
10	107707	Power supply, CWS 100-24	Consult
11	Consult	Base upper	Consult
12	104649	Accessory, weld assembly	Consult
—	Consult	M4x12 hex bolt w/washer	Consult
13	104650	Seal rubber	Consult
14	104651	Cover upper	Consult
15	80991	Power cord	Consult
16	Consult	Harness, C4 power	Consult
17	104654	Accessory, weld upper	Consult
18	104655	Harness, TCP-IP	Consult
19	Consult	Base printer	Consult
21	80973	PWB, PS-229A, A/D board	Consult
22	Consult	Harness display L150	Consult
23	Consult	Cover, customer	Consult
24	104252	PWB, PS-986 LCD display control board	Consult
25	104172	Resistor assembly	Consult
26	104652	Sheet display, customer side, BC-4000L2H	Consult
27	104653	Handle	Consult
28	Consult	Cover printer	Consult
29	Consult	Screw support	Consult
30	80963	Load cell, C2G1-25K-S18-25kg-350	Consult
31	165282	Accessory, weld hook	Consult
—	Consult	M4x6 set screw	Consult
32	165010	Screw hook	Consult
33	Consult	Base bottom	Consult
34	104667	Ball hook	Consult
35	Consult	Block load cell	Consult
36	Consult	Magnet	Consult
37	66383	Hinge	Consult
38	104670	Platter, bar cross	Consult
39	104671	Platter bar	Consult
40	104672	Block, bar connect	Consult
41	Consult	Bracket, printer	Consult
42	104673	Platter	Consult
43	102817	PWB, PS-037, tactile keyboard	Consult
44	Consult	Cover operation	Consult
45	104674	Sheet key	Consult
46	104675	Sheet display, operator side, BC-4000L2H	Consult
47	45211	Shaft	Consult
48	45223	Screw bow	Consult
49	45203	Spring coil	Consult
50	45206	Tension spring	Consult
51	45201	Guide label	Consult
52	45145	Step screw pan	Consult
53	45222	Shaft	Consult

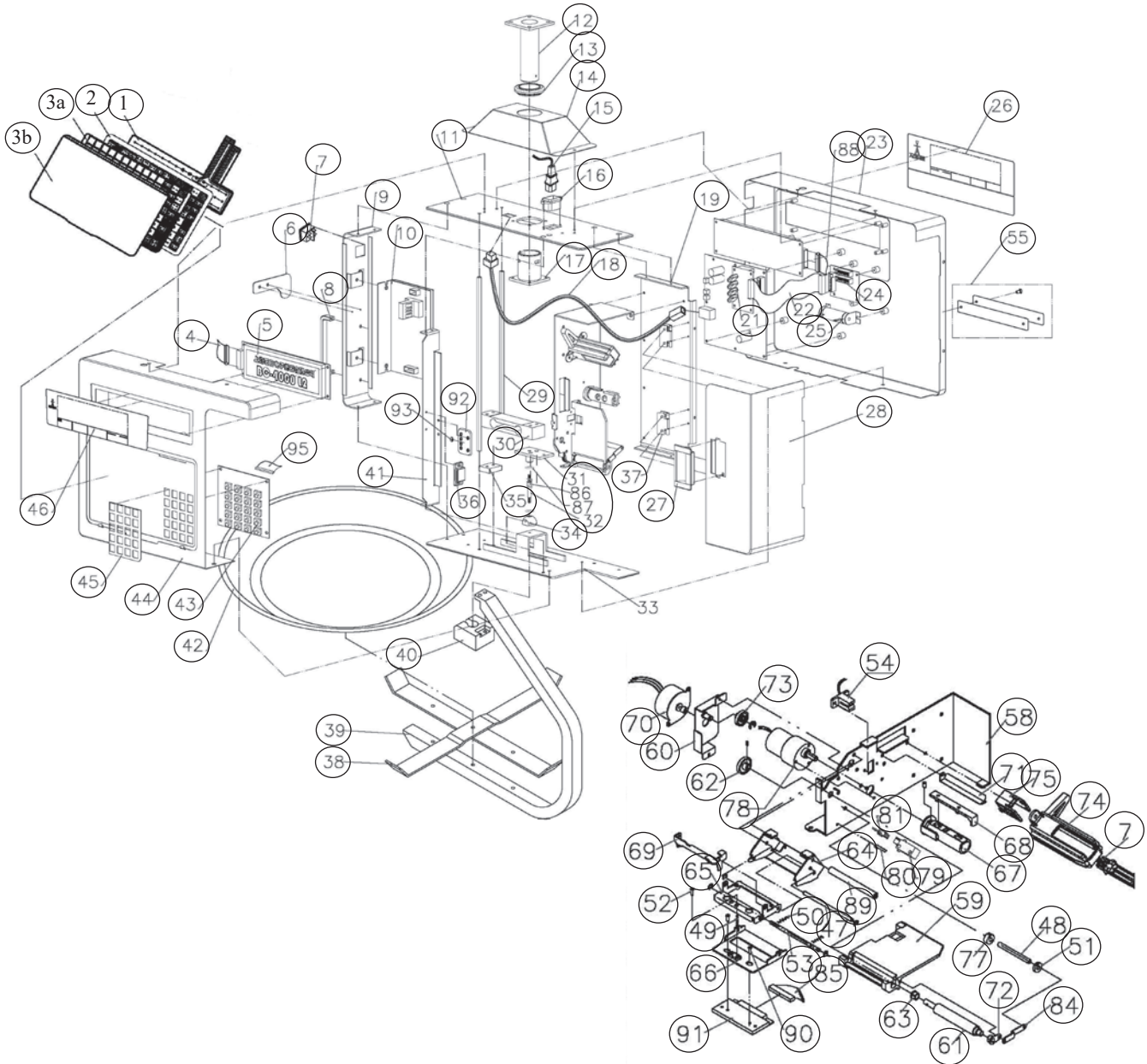
(Diagram BC-4000L2H-A)

Parts not listed are no longer available. Some parts listed may not be available.

An ISO 9001 registered company ©2021 Rice Lake Weighing Systems 09/21 Prices and specifications subject to change without notice. Visit ricelake.com for current prices.

BC-4000L2H

Assembly



BC-4000L2H-A

Discontinued Scales

Parts not listed are no longer available. Some parts listed may not be available.

BC-4000L2H

Assembly



Part Number/Price

Ref#	Part#	Description	Price
54	104832	Label gap sensor assembly	Consult
55	Consult	Nameplate specification	Consult
58	Consult	Frame printer	Consult
59	66371	Table label	Consult
60	66358	Bracket motor	Consult
61	108192	Roller rubber	Consult
62	66360	Gear, spur single	Consult
63	66370	Bush left	Consult
64	66363	Frame head	Consult
65	66364	Bracket lock	Consult
66	66365	Bracket head	Consult
67/68	105437	Label take-up kit, reel and lever (without screws)	Consult
—	42714	Screw, M4x8, pan head tap	Consult
—	66375	Screw, M3x6, set	Consult
69	66362	Bracket push	Consult
70	66357	Motor, stepping, print roller drive	Consult
71	66374	Holder label	Consult
72	66368	Bush right	Consult
73	66359	Gear, spur dual	Consult
74	66377	Holder label	Consult
75	66378	Holder, guide label	Consult
76	66376	Lever, guide label	Consult
77	66367	Guide label	Consult
78	66361	Motor, label paper rewind	Consult
79	80953	Sensor, peel	Consult
80	Consult	Bracket, peel sensor	Consult
81	Consult	Harness, peel sensor	Consult
84	80954	Bracket support	Consult
85	104267	Harness, S2 thermal head	Consult
86	104668	Spring hook	Consult
87	104669	Washer, GB	Consult
88	Consult	Harness, LCD, 140 mm, customer side	Consult
89	45188	Screw bow	Consult
90	Consult	Screw, M3 4.5, thermal head	Consult
91	119169	Thermal head, BHE4256SU / CHX56-8359, 1100 ohm	Consult
—	100747	Tear bar, for continuous label	Consult
—	116073	Screw, button head, M3x4, thermal head mount	Consult
92	Consult	Bracket, GND	Consult
93	Consult	Label, GND cord	Consult
95	Consult	Harness, keyboard	Consult

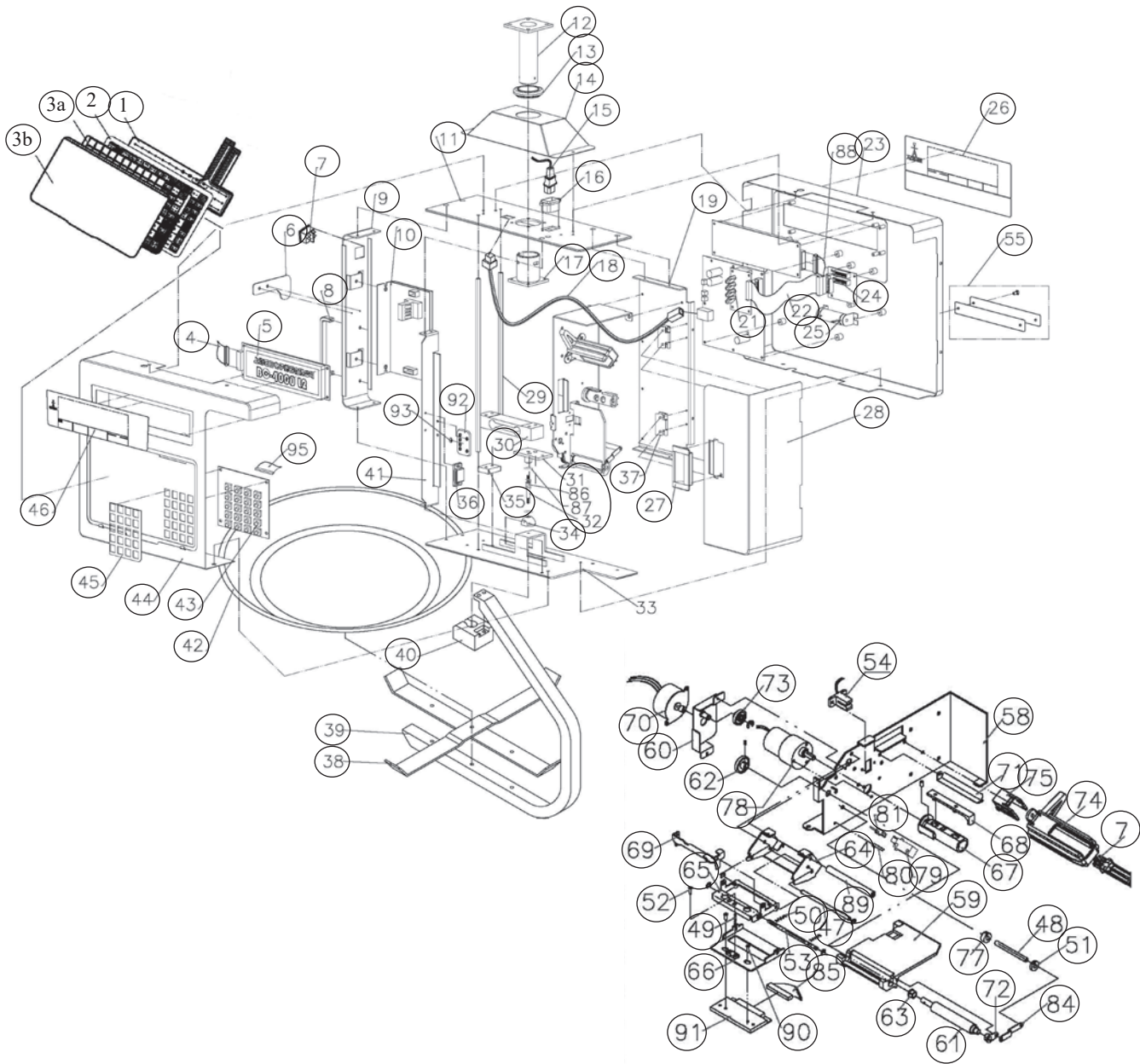
(Diagram BC-4000L2H-A)

Parts not listed are no longer available. Some parts listed may not be available.

An ISO 9001 registered company ©2021 Rice Lake Weighing Systems 09/21 Prices and specifications subject to change without notice. Visit ricelake.com for current prices.

BC-4000L2H

Assembly



BC-4000L2H-A

Discontinued Scales