

# BC-4000S

Pole Assembly



## Part Number/Price

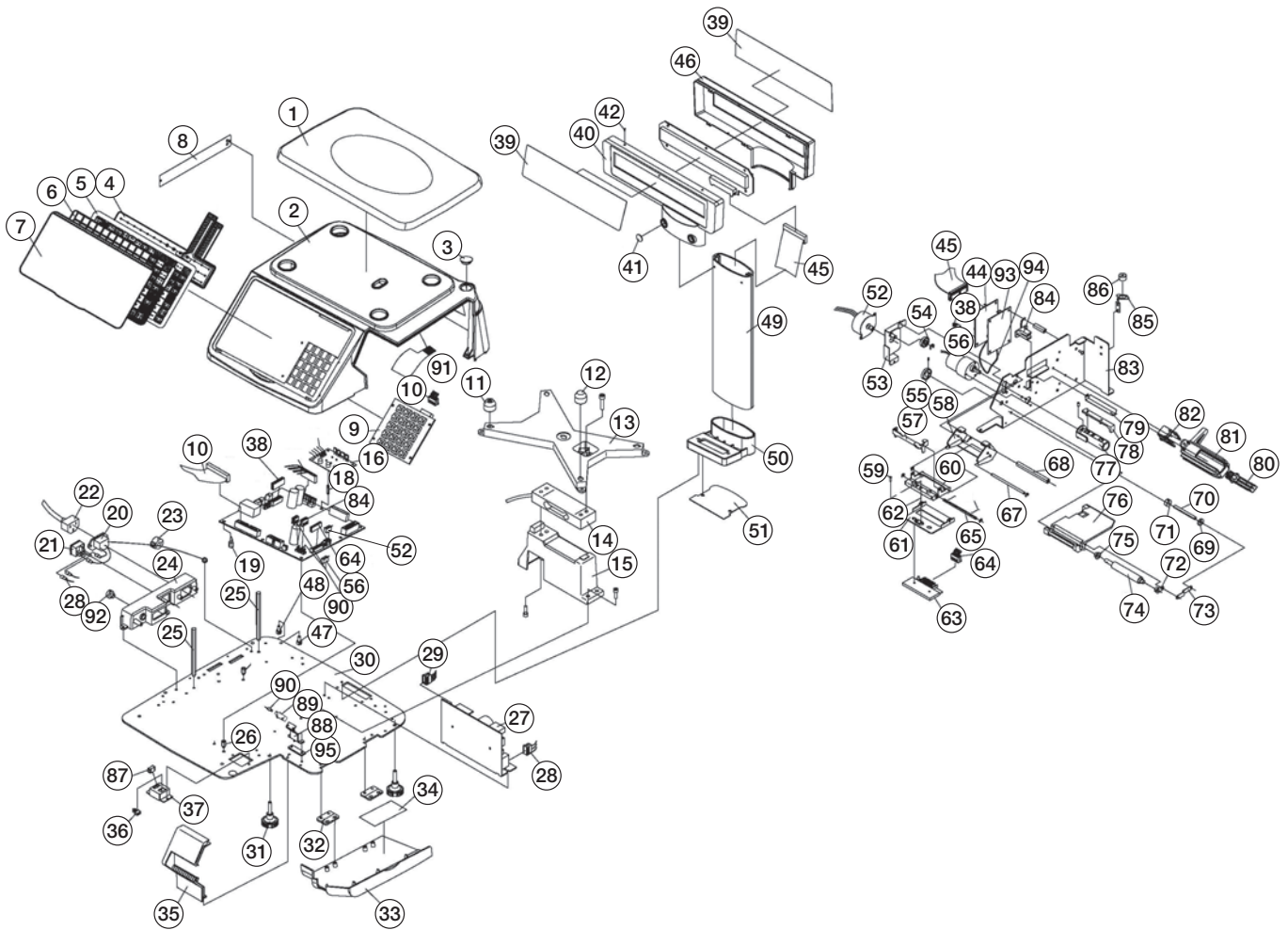
Ref#	Part#	Description	Price
1	83777	Platter	Consult
—	83781	Platter, backstop	Consult
2	102811	Case, UL	Consult
—	119832	Screw, self tap, M4x13, upper cover mount	Consult
3	102812	Lens	Consult
4	102813	Keyboard, membrane, contacts only	Consult
5	102815	Sheet, programming keyboard	Consult
6	102814	Keysheet, operation insert	Consult
7	102816	Sheet, clear, with adhesive	Consult
8	Consult	Nameplate specification	Consult
9	102817	PWB, PS-037, tactile keyboard	Consult
10	102818	Harness, S3, tactile keyboard	Consult
11	44406	Rubber, platter support	Consult
12	66402	Rubber, platter support solid	Consult
13	44410	Platter support	Consult
14	44414	Load cell, C2G1-25KS18-25kg-350	Consult
15	66379	Bracket load cell	Consult
16	110802	PWB, PS-229A, A/D board	Consult
—	109126	Battery	Consult
18	66353	Accessory, support post	Consult
19	102820	Accessory, support main	Consult
20	80969	Harness, C4 power, includes receptacle	Consult
21	66398	Switch	Consult
22	80991	Power cord	Consult
23	66403	Power GND cord, with ferrite filter	Consult
24	102821	Case, connector UL	Consult
25	102822	Bar, hex M	Consult
26	Consult	Bar, hex MF	Consult
27	107707	Power supply, LFS150-SR4.0	Consult
—	77889	Fuse, power supply, fuse 250V, 5A, 5x20	Consult
28	66396	Harness, C3 power, in from switch	Consult
29	47073	Harness S2 power, out to CPU	Consult
30	104167	Base	Consult
31	44423	Foot level	Consult
32	66383	Hinge	Consult
33	104168	Cover, side UL	Consult
34	66382	Sticker, label roll loading	Consult
35	104169	Cover front UL	Consult
—	42719	Screw, M4x8, front cover mount	Consult
36	104170	Harness, TCP/IP UL	Consult
—	101393	Jumper, RJ45, for wireless (connect to CB3000)	Consult
37	104171	Bracket module	Consult
38	104268	Harness, S2 display	Consult
39	104276	Display panel, BC4000S	Consult
40	104270	Display case front UL	Consult
41	104175	Cap, screw cover	Consult
42	104250	Push rivet	Consult
44	104272	PWB, PS-038, display driver board	Consult
45	104273	Harness, S2 display	Consult
46	104274	Display case, rear UL	Consult
47	45128	Seal, screw M4	Consult
48	66394	Screw seal	Consult
49	104257	Pole	Consult

(Diagram BC-4000S-A)

Discontinued Scales

# BC-4000S

Pole Assembly



BC-4000S-A

Parts not listed are no longer available. Some parts listed may not be available.

An ISO 9001 registered company ©2021 Rice Lake Weighing Systems 09/21 Prices and specifications subject to change without notice. Visit [ricelake.com](http://ricelake.com) for current prices.

# BC-4000S

Pole Assembly



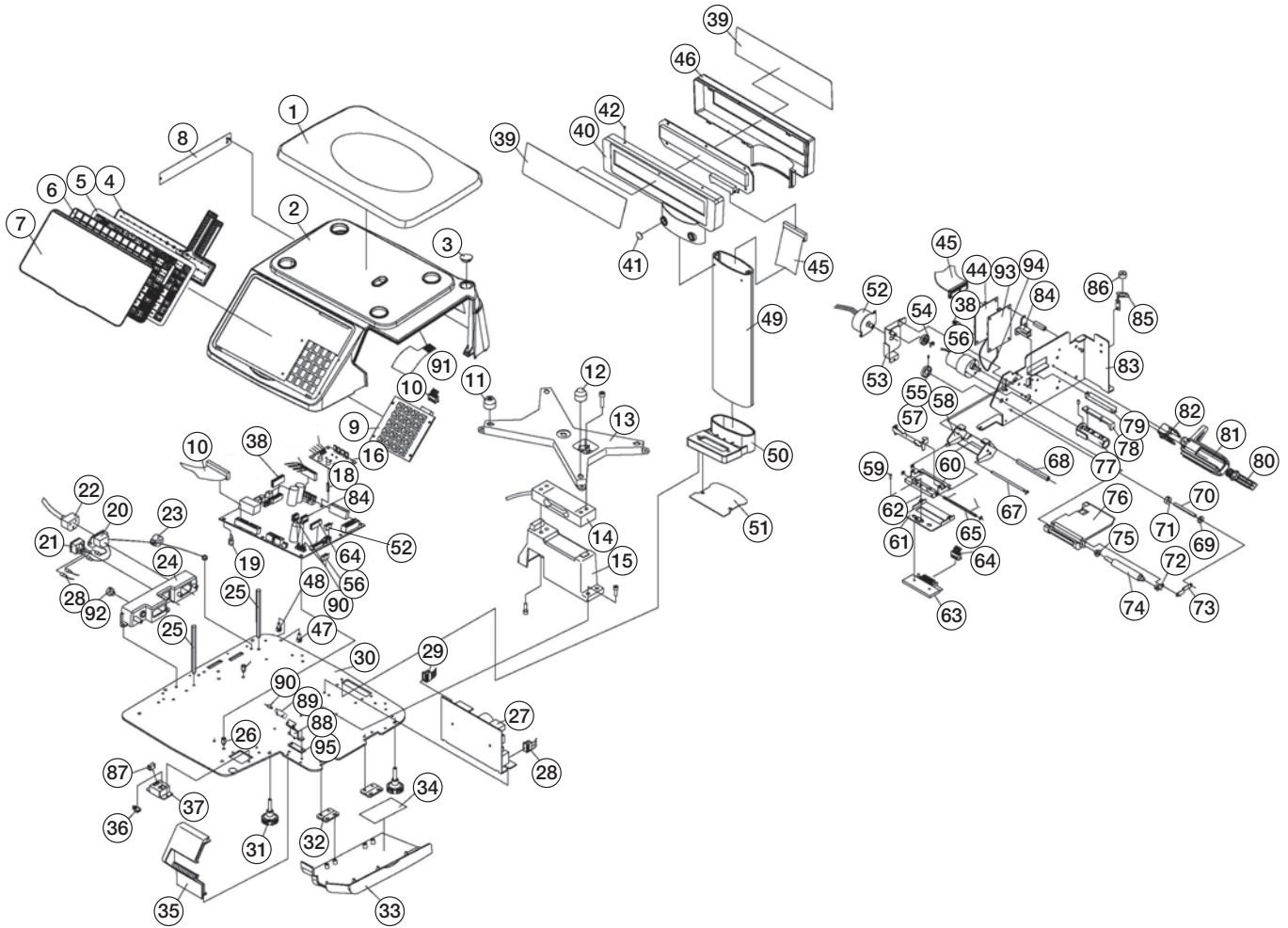
## Part Number/Price

Ref#	Part#	Description	Price
50	104258	Base pole	Consult
51	104260	Pole base cover	Consult
52	66357	Motor stepping, print roller drive	Consult
53	66358	Bracket motor	Consult
54	66359	Gear spur, dual	Consult
55	66360	Gear spur, single	Consult
56	110971	Motor, label paper rewind	Consult
57	66362	Bracket push	Consult
58	66363	Frame head	Consult
59	45145	Step screw pan	Consult
60	66364	Bracket lock	Consult
61	66365	Bracket head	Consult
62	45203	Spring coil	Consult
63	119169	Thermal head, BHE4256SU / CHX56-8359, 1100 ohm	Consult
—	100747	Tear bar, for continuous label	Consult
—	116073	Screw, button head, M3x4, thermal head mount	Consult
64	104267	Harness, S2 thermal head	Consult
65	45222	Shaft	Consult
66	45206	Tension spring	Consult
67	45211	Shaft	Consult
68	45188	Screw bow	Consult
69	45201	Guide label	Consult
70	45223	Screw bow	Consult
71	66367	Guide label	Consult
72	66368	Bush right	Consult
73	80954	Bracket support	Consult
74	108192	Roller rubber	Consult
75	66370	Bush left	Consult
76	66371	Table label	Consult
77/78	105437	Label take-up kit, reel and lever (without screws)	Consult
—	42714	Screw, M4x8, pan head tap	Consult
—	66375	Screw, M3x6, set	Consult
79	66374	Label press	Consult
80	66376	Lever, guide label	Consult
81	66377	Holder, label	Consult
82	66378	Holder, guide label	Consult
83	66352	Frame printer	Consult
84	66354	Label sensor assembly	Consult
85	104261	Level support	Consult
86	44425	Level Unit	Consult
87	104262	Connector, EL-3H	Consult
88	104263	Bracket, peel sensor	Consult
89	80953	Peel sensor	Consult
—	119831	Screw, M3x16, sensor mount	Consult
90	104264	Harness, peel sensor	Consult
92	44474	Plastic screw M8	Consult
93	104278	PWB, PS-015, DC/DC board	Consult
94	104279	Harness, S2, DC/DC board	Consult
95	Consult	Spacer, bracket, peel sensor	Consult

(Diagram BC-4000S-A)

# BC-4000S

Pole Assembly



BC-4000S-A

Parts not listed are no longer available. Some parts listed may not be available.

An ISO 9001 registered company ©2021 Rice Lake Weighing Systems 09/21 Prices and specifications subject to change without notice. Visit [ricelake.com](http://ricelake.com) for current prices.