

BENCH SCALES

BenchMark® HDP
Caster Model

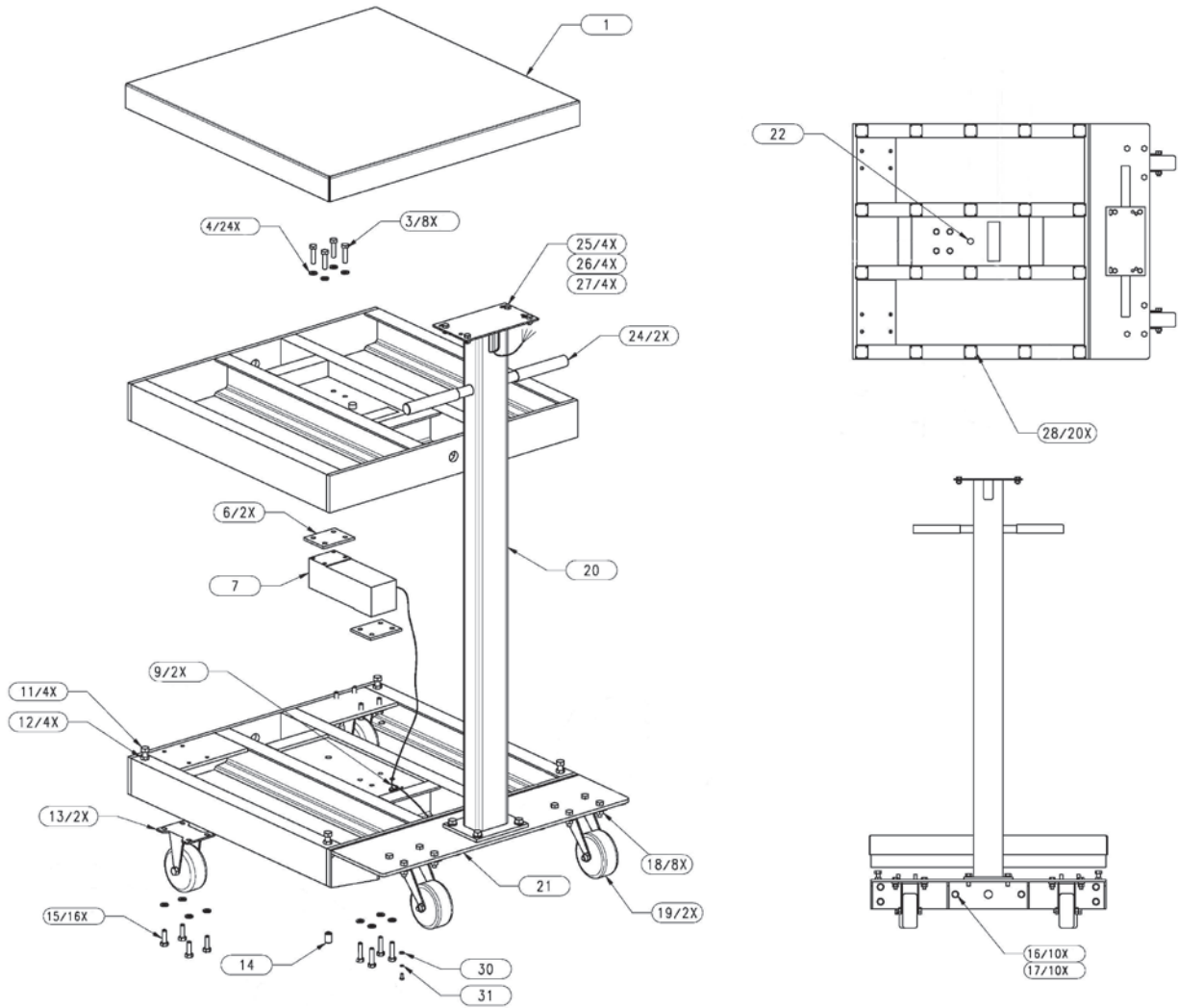


Part Number/Price

Ref#	Part#	Description	Price
1	94351	Top cover	Consult
3	49788	Screw cap, 5/16-18 NC	Consult
4	15153	Washer, lock 5/16 regular	Consult
6	87358	Shim, 3/16 x 2-3/8 x 3 SST	Consult
7	41024	Load cell, RL1260-250 lb scale	Consult
7	41026	Load cell, RL1260-500 lb scale	Consult
9	14858	Screw, MACH 8-32 NC x 5/16	Consult
11	14745	Bolt, 3/8-16 NC x 1/2 full	Consult
12	14649	Nut, jam 3/8 - 16 NC hex	Consult
13	94267	Rigid caster	Consult
14	15051	Screw, set 1/2-20 NF x 3/4	Consult
15	26668	Screw cap	Consult
16	15159	Washer, lock 3/8 regular	Consult
17	14742	Bolt	Consult
18	14647	Nut	Consult
19	94266	Swivel caster	Consult
20	98520	Column WLDT	Consult
21	98516	Caster support WLDT	Consult
22	15410	Level, spirit bubble	Consult
24	41266	Grip, handle 3/4 I.D.	Consult
25	14955	Screw cap.	Consult
26	15147	Washer	Consult
27	14641	Nut	Consult
28	26407	Bumper, self adhesive	Consult
30	15138	Washer, plain STD no 8 SST	Consult
31	15134	Washer, lock no. 8 type A	Consult

(See Diagram BenchMark-HDP Caster Model)

BENCH SCALES
BenchMark® HDP
 Caster Model



BenchMark-HDP Caster Model

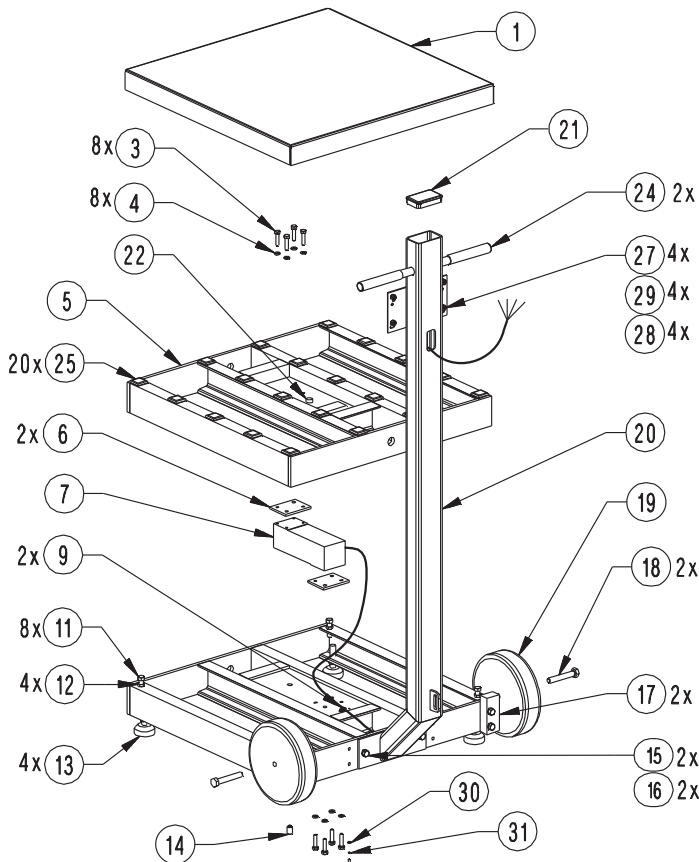
Bench Scales



Part Number/Price

Ref#	Part#	Description	Price
1	94351	Top cover,	Consult
3	49788	Screw cap, 5/16-18 NC	Consult
4	15153	Washer, lock 5/16 regular	Consult
6	87358	Shim, 3/16 x 2-3/8 x 3 SST	Consult
7	41024	Load cell, RL1260-250 lb scale	Consult
7	41026	Load cell, RL1260-500 lb scale	Consult
9	14858	Screw, MACH 8-32 NC x 5/16	Consult
11	14745	Bolt, 3/8-16 NC x 1/2 full	Consult
12	14649	Nut, jam 3/8 - 16 NC hex	Consult
13	74585	Foot, floor scale rigid	Consult
14	15051	Screw, set 1/2-20 NF x 3/4	Consult
15	14742	Bolt, 3/8 - 16 NC x 1 hex head	Consult
16	15159	Washer, lock 3/8 regular	Consult
17	94645	Axle support	Consult
18	14757	Bolt, 1/2-13 NC x 3 hex head	Consult
19	94268	Wheel, 8 in diameter x 1/2	Consult
20	94646	Column WLDT	Consult
21	94264	Plug, cap rectangular tube	Consult
22	15410	Level, spirit bubble	Consult
24	41266	Grip, handle 3/4 I.D.	Consult
25	26407	Bumper, self adhesive	Consult
27	14955	Screw, cap 1/4-20 NC x 1/2	Consult
28	15147	Washer, lock 1/4 regular	Consult
29	14641	Nut, 1/4-20 NC hex steel	Consult
30	15138	Washer, plain STD no 8 SST	Consult
31	15134	Washer, lock no 8 type A	Consult

(See Diagram BenchMark-HDP Wheel Model)



BenchMark-HDP Wheel Model

Bench Scales