

BenchMark® Single Point Bench Scales

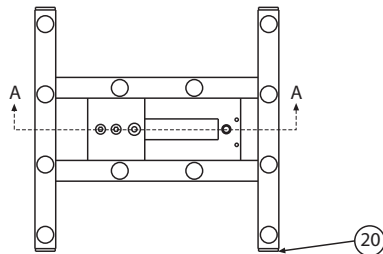
12 x 12in and 12 x 18in Mild Steel

Part Number/Price

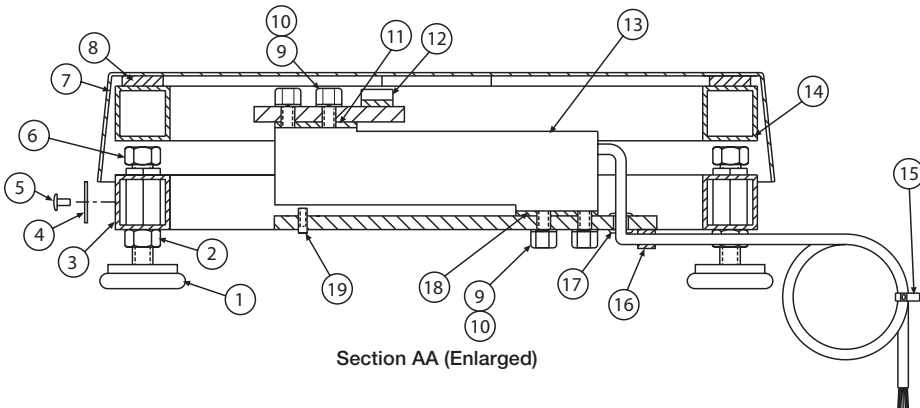
Ref #	Part #	Description	Price
	22125	Operating manual	Consult
1	35128	Foot, 1/4-20 NC x 1 3/16	Consult
2	14645	Jam nut, foot	Consult
3	32993	Frame, bottom, 12 in x 12 in	Consult
3	32992	Frame, bottom, 12 in x 18 in	Consult
4	52342	Label, bench scale	Consult
6	14739	Bolt, overload, 12 in x 12 in	Consult
7	19092	Cover, top, 12 in x 12 in	Consult
7	19093	Cover, top, 12 in x 18 in	Consult
8	26408	Bumper, round self adhesive	Consult
9	15147	Washer, locking, 1/4	Consult
10	14962	Screw cap, 12 in x 18 in	Consult
11	19089	Spacer, load cell	Consult
12	15410	Spirit level bubble, plastic	Consult
13	188678	Load cell, RL42018A-30 lb models	Consult
13	188679	Load cell, RL42018A-50 lb models	Consult
13	188681	Load cell, RL42018A-100 lb models	Consult
13	91730	Load cell, RLSP4-50 lb models	Consult
13	91732	Load cell, RLSP4-100 lb models	Consult
14	19132	Frame, top, 12 in x 12 in	Consult
14	19134	Frame, top, 12 in x 18 in	Consult
15	16141	Cable tie	Consult
16	15409	Plastic wire clamp	Consult
17	15418	Rubber grommet, 3/16 x 1/2 OD	Consult
19	14918	Overload protection screw, 8-32 x 1/4	Consult
20	19139	Square insert guide	Consult



(See diagram BenchMark-A)



TOP VIEW OF 12" SCALE SERIES WITH COVER REMOVED TO SHOW LOCATION OF RUBBER PADS



Section AA (Enlarged)

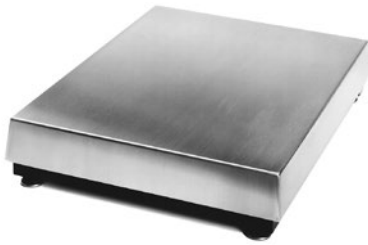
BenchMark-A

Bench Scales

BENCH SCALES

BenchMark® Single Point

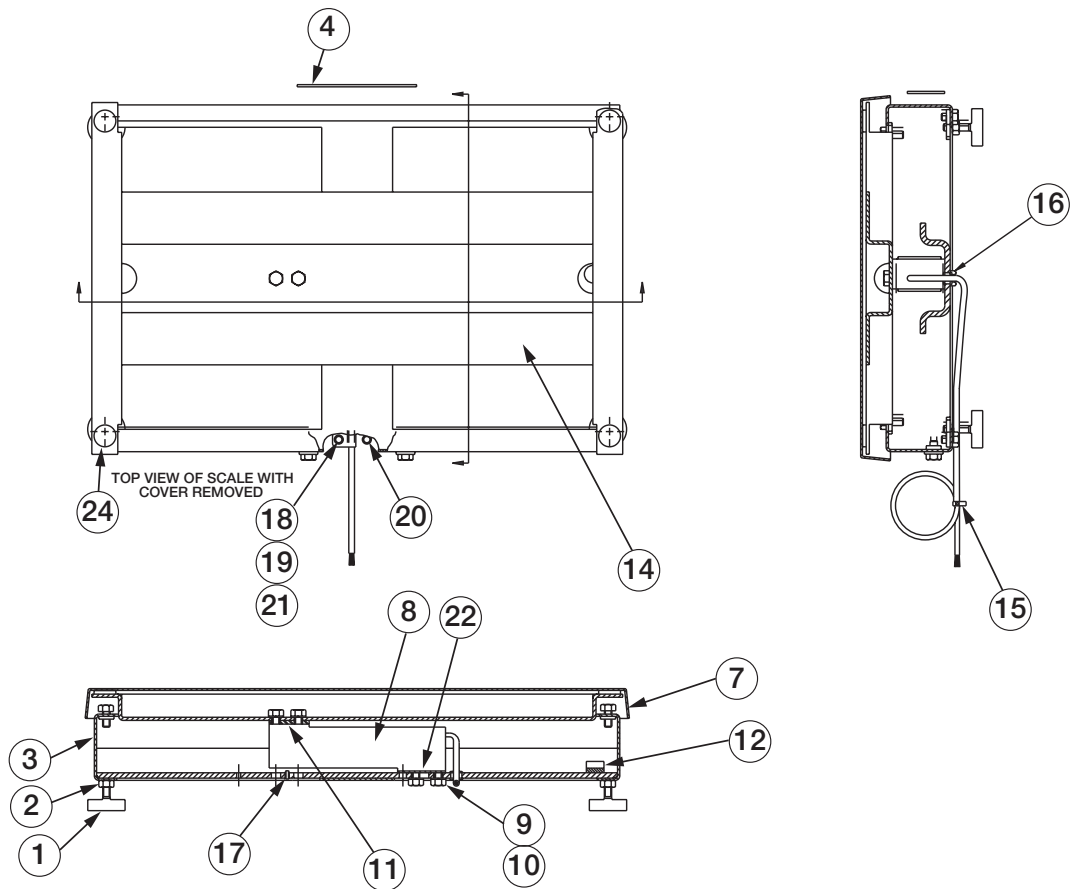
12 x 18in Stainless Steel



Part Number/Price

Ref#	Part#	Description	Price
	22125	Benchmark manual	Consult
1	35128	Foot, bench scale, 1/4-20 NC	Consult
2	14645	Nut, jam, 1/4-20 NC, hex	Consult
3	32795	Bottom sub-assembly	Consult
4	52342	Label, bench scale	Consult
7	32957	Top cover, 12 in x 18 in	Consult
8	40962	Load cell, RL1042-50 lb model	Consult
8	40964	Load cell, RL1042-100 lb model	Consult
9	15148	Washer, lock, 1/4 regular	Consult
10	14963	Overload screw, cap, 1/4-20 NC x 3/4	Consult
11	35082	Top shim, load cell	Consult
12	15410	Level, spirit bubble	Consult
14	32797	Spider top, 12 in x 18 in	Consult
15	16141	Cable tie, 8 in nylon	Consult
16	15418	Grommet, rubber	Consult
17	14920	Screw, set, 8-32 NC x 1/4, hex	Consult
18	15409	Clamp, cable, no. 8 hole	Consult
19	15138	Washer, plain, STD no. 8	Consult
20	15132	Washer, lock, no. 8, type A	Consult
21	14862	Screw, Mach, 8-32 NC x 3/8	Consult
22	19089	Bottom shim, load cell	Consult
24	26408	Bumper, self adhesive	Consult

(See diagram BenchMark-B)



BenchMark-B

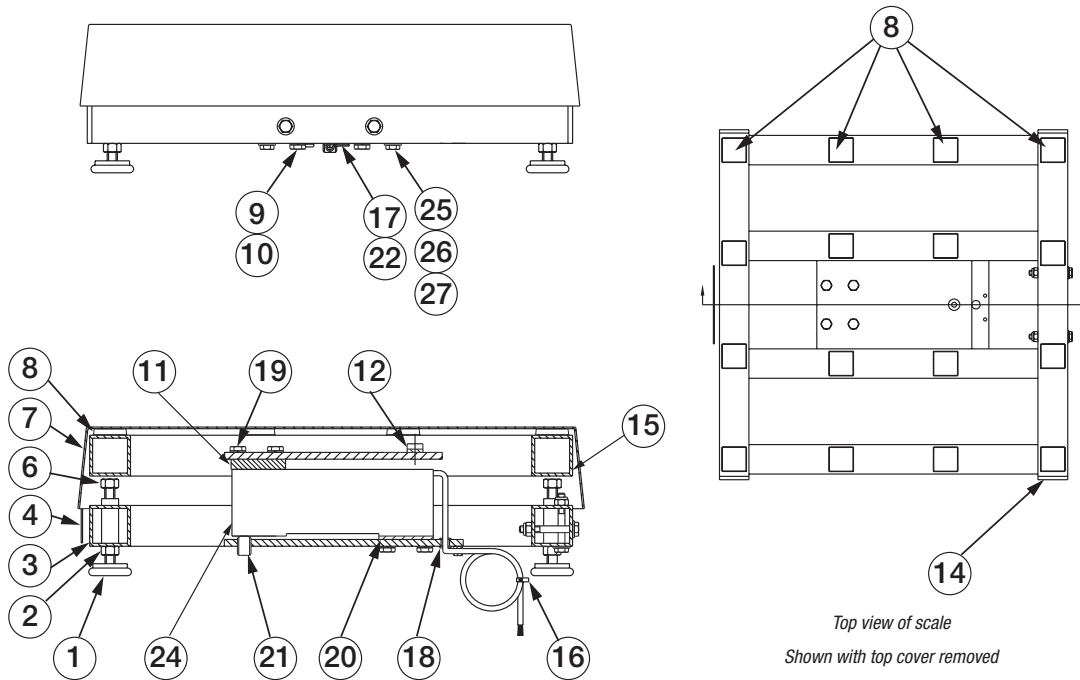
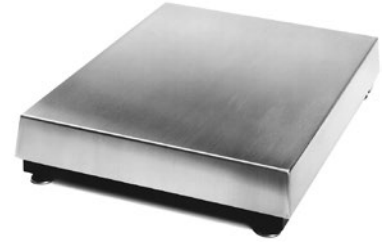
BenchMark® Single Point

18 x 18 in & 18 x 24 in & 24 x 24 in Mild and Stainless Steel

Part Number/Price

Ref#	Part#	Description	Price
	22125	Operating manual	Consult
	10082	Pad, 23.10 x 23.10	Consult
1	19141	Foot, 3/8-16 x .78	Consult
2	14649	Jam nut, foot MS	Consult
2	14653	Jam nut, foot SS	Consult
3	49766	Frame bottom, 18 in x 18 in, MS (RL1260/PMW16 load cell)	Consult
3	49768	Frame bottom, 18 in x 18 in, SS (RL1260/PMW16 load cell)	Consult
3	49770	Frame bottom, 18 in x 24 in, MS (RL1260/PMW16 load cell)	Consult
3	49772	Frame bottom, 18 in x 24 in, SS (RL1260/PMW16 load cell)	Consult
3	49774	Frame bottom, 24 in x 24 in, MS (RL1260/PMW16 load cell)	Consult
3	49776	Frame bottom, 24 in x 24 in, SS (RL1260/PMW16 load cell)	Consult
3	19108	Frame bottom, 18 in x 18 in, MS (RL1250 load cell)	Consult
3	19109	Frame bottom, 18 in x 18 in, SS (RL1250 load cell)	Consult
3	19110	Frame bottom, 18 in x 24 in, MS (RL1250 load cell)	Consult
3	19111	Frame bottom, 18 in x 24 in, SS (RL1250 load cell)	Consult
3	19112	Frame bottom, 24 in x 24 in, MS (RL1250 load cell)	Consult
3	19114	Frame bottom, 24 in x 24 in, SS (RL1250 load cell)	Consult
4	52342	Label roll, 4 in x 1.25 in	Consult
6	14742	Overload bolt, 3/8-16 NC x 1, hex head	Consult
7	19094	Cover, top, 18 in x 18 in	Consult
7	19095	Cover, top, 18 in x 24 in	Consult
7	19096	Cover, top, 24 in x 24 in	Consult
8	26407	Bumper, self adhesive	Consult
9	15153	Washer, lock, 5/16 regular, MS	Consult
9	15154	Washer, lock, 5/16 regular, SS	Consult
10	26668	Screw, cap, 5/16-18 NC x 3/4, hex, MS	Consult
10	26669	Screw, cap, 5/16-18 NC x 3/4, hex, SS	Consult
10	26667	Screw, cap, 5/16-18 NC x 1, hex, MS	Consult
10	26670	Screw, cap, 5/16-18 NC x 1, hex, SS	Consult

(See Diagram BenchMark-C)



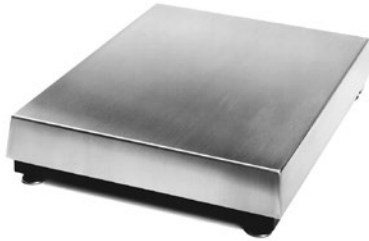
BenchMark-C

Bench Scales

BENCH SCALES

BenchMark® Single Point

18 x 18in & 18 x 24in & 24 x 24in Mild and Stainless Steel



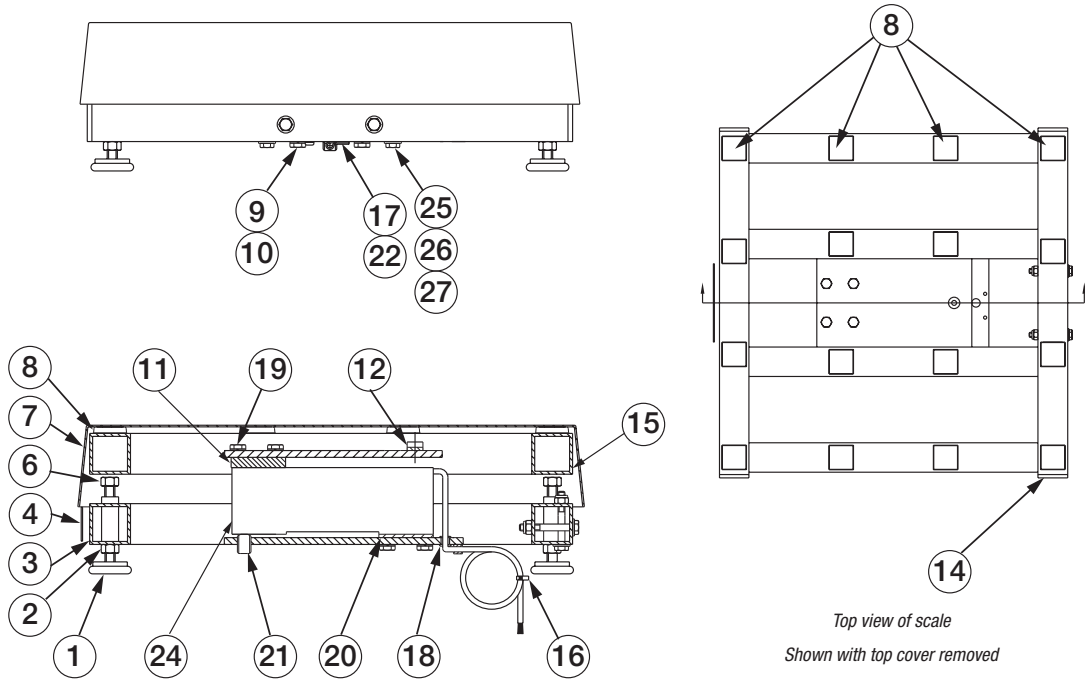
Part Number/Price

Ref#	Part#	Description	Price
11	49785	Plate, washer, MS (RL1260/RLPMW16 load cell)	Consult
11	49786	Plate, washer, SS (RL1260/RLPMW16 load cell)	Consult
11	19102	Plate, washer, MS (RL1250 load cell)	Consult
11	19103	Plate, washer, SS (RL1250 load cell)	Consult
12	15410	Level, spirit bubble	Consult
14	19140	Insert, glide, square	Consult
15	49765	Frame, top, 18 in x 18 in, MS (RL1260/RLPMW16 load cell)	Consult
15	49767	Frame, top, 18 in x 18 in, SS (RL1260/RLPMW16 load cell)	Consult
15	19116	Frame, top, 18 in x 18 in, MS (RL1250 load cell)	Consult
15	19117	Frame, top, 18 in x 18 in, SS (RL1250 load cell)	Consult
15	19118	Frame, top, 18 in x 24 in, MS (RL1250 load cell)	Consult
15	19119	Frame, top, 18 in x 24 in, SS (RL1250 load cell)	Consult
15	49769	Frame, top, 18 in x 24 in, MS (RL1260/RLPMW16 load cell)	Consult
15	49771	Frame, top, 18 in x 24 in, SS (RL1260/RLPMW16 load cell)	Consult
15	49773	Frame, top, 24 in x 24 in, MS (RL1260/RLPMW16 load cell)	Consult
15	49775	Frame, top, 24 in x 24 in, SS (RL1260/RLPMW16 load cell)	Consult
15	19120	Frame, top, 24 in x 24 in, MS (RL1250 load cell)	Consult
15	19121	Frame, top, 24 in x 24 in, SS (RL1250 load cell)	Consult
16	16141	Cable, tie, 8 in nylon	Consult
17	15409	Clamp, cable, no. 8 hole	Consult
18	15418	Grommet, rubber	Consult
19	49788	Screw, cap, 5/16-18 NC x 1 1/4, hex, MS (RL1260 load cell)	Consult
19	49789	Screw, cap, 5/16-18 NC x 1 1/4, hex, SS (RL1260 load cell)	Consult
19	26667	Screw, cap, 5/16-18 NC x 1, hex, MS (RL1250 load cell)	Consult
19	26668	Screw, cap, 5/16-18 NC x 3/4, hex, MS (RL1250 load cell)	Consult
19	26669	Screw, cap, 5/16-18 NC x 3/4, hex, SS (RL1250 load cell)	Consult
20	49787	Shim plate (RL1260/RLPMW16 load cell)	Consult
20	22264	Shim plate (RL1250 load cell)	Consult
21	15045	Screw, set, 1/2-20 NF x 1/2, hex, MS	Consult
21	15047	Screw, set, 1/2-20 NF x 1/2, hex, SS	Consult
22	14858	Screw, Mach, 8-32 NC x 5/16, MS	Consult
22	14862	Screw, Mach, 8-32 NC x 3/8, SS	Consult
24	188682	Load cell, RL26018A (50 lb models)	Consult
24	188684	Load cell, RL26018A (100 lb models)	Consult
24	188685	Load cell, RL26018A (150 lb models)	Consult
24	188686	Load cell, RL26018A (200 lb models)	Consult
24	188687	Load cell, RL26018A (250 lb models)	Consult
24	188688	Load cell, RL26018A (300 lb models)	Consult
24	188689	Load cell, RL26018A (500 lb models)	Consult
24	191105	Load cell, SPT RL1218A (1000 lb models)	Consult
25	35316	Screw, cap, 1/4-20 NC x 2, hex, MS	Consult
25	35199	Screw, cap, 1/4-20 NC x 2, hex, SS	Consult
26	15145	Washer, plain, 1/4 Type A, MS	Consult
26	15149	Washer, plain, 1/4 Type A, SS	Consult
27	14635	Nut, lock, 1/4-20 NC, hex, MS	Consult
27	14634	Nut, lock, 1/4-20 NC, hex, SS	Consult

(See Diagram BenchMark-C)

BenchMark® Single Point

18 x 18in & 18 x 24in & 24 x 24in Mild and Stainless Steel



BenchMark-C

Top view of scale
Shown with top cover removed