

BenchMark® SL and SL/HE Series Single-Point Bench Scales

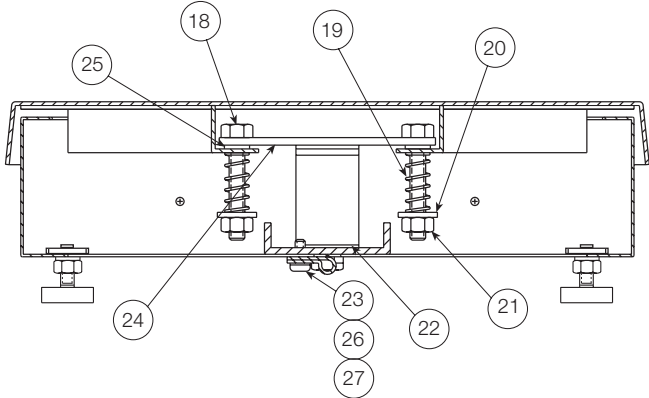


Part Number/Price

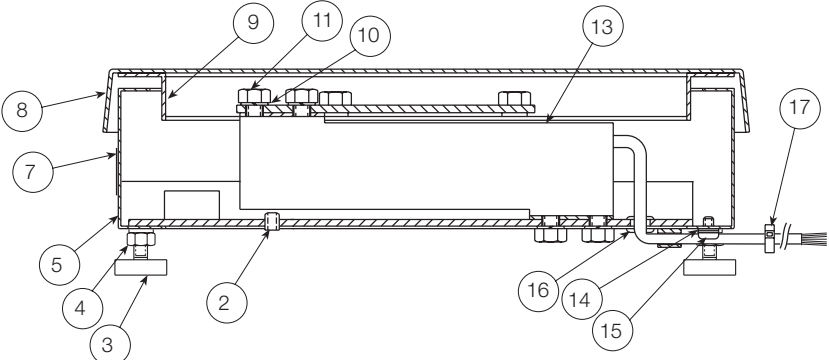
Ref#	Part#	Description	Price
	22125	Operating manual	Consult
2	14920	Screw, overload protection, 8-32UNC x 1/4, SS	Consult
3	35128	Foot, 1/4-20 NC x 1 3/16 SS	Consult
4	14645	Jam nut, foot	Consult
5	19086	Bottom subassembly (2lb-30lb, 10 in x 10 in)	Consult
5	35066	Bottom subassembly (30lb-100lb, 12 in x 12 in)	Consult
7	52342	Label, bench scale	Consult
8	19091	Cover, top, 10 in x 10 in	Consult
8	35069	Cover, top, 12 in x 12 in	Consult
9	19088	Spider, top, 10 in x 10 in	Consult
9	35068	Spider, top, 12 in x 12 in	Consult
10	15148	Washer, locking	Consult
11	21948	Screw, load cell	Consult
12	15410	Spirit level bubble, plastic	Consult
14	15132	Washer, locking, #8 SS	Consult
15	14857	Screw, pan head	Consult
SL Series			
13	40956	Load cell, RL1042-3 kg (2 lb model) 10 in x 10 in	Consult
13	40957	Load cell, RL1042-5 kg (5 lb model) 10 in x 10 in	Consult
13	40958	Load cell, RL1042 (10 lb model) 10 in x 10 in	Consult
13	40960	Load cell, RL1042 (20 lb model) 10 in x 10 in	Consult
13	40961	Load cell, RL1042 (30 lb model) 10 in x 10 in/12 in x 12 in	Consult
13	40962	Load cell, RL1042 (50 lb model) 12 in x 12 in	Consult
13	40964	Load cell, RL1042 100 kg (100 lb model) 12 in x 12 in	Consult
SL/HE Series			
13	108685	Load cell, RLPWM15HE - 10 kg (5 lb and 10 lb model)	Consult
13	108686	Load cell, RLPWM15HE - 20 kg (20 lb and 30 lb model)	Consult
13	108687	Load cell, RLPWM15HE - 50 kg (50 lb model)	Consult
13	108688	Load cell, RLPWM15HE - 100 kg (100 lb model)	Consult
16	15408	Grommet, rubber, 3/16 ID x 1/2 OD	Consult
17	16141	Cable tie	Consult
18	14984	Cap screw (2 lb-20 lb models)	Consult
18	21947	Cap screw (30 lb model)	Consult
18	35199	Cap screw (50 lb-100 lb models)	Consult
19	15412	Spring, overload (2 lb model)	Consult
19	21945	Spring, overload (5 lb model)	Consult
19	15416	Spring, overload (10 lb model)	Consult
19	21946	Spring, overload (20 lb model)	Consult
19	21944	Spring, overload (30 lb model)	Consult
19	35086	Spring, overload (50 lb model)	Consult
19	35200	Spring, overload (100 lb model)	Consult
20	15149	Washer, flat, 1/4 Type A, SS	Consult
21	14634	Nut, nylon insert, 1/4-20UNC, SS	Consult
22	19089	Shim, load cell, bottom and top, SS	Consult
23	15409	Clamp, nylon cable	Consult
24	19090	Load plate (2lb-30lb, 10 in x 10 in)	Consult
24	35067	Load plate (30lb-100lb, 12 in x 12 in)	Consult
25	15150	Washer, rubber	Consult
26	15138	Washer no. 8	Consult
27	14862	Screw, cable clamp	Consult

(See diagram BenchMark SL-A)

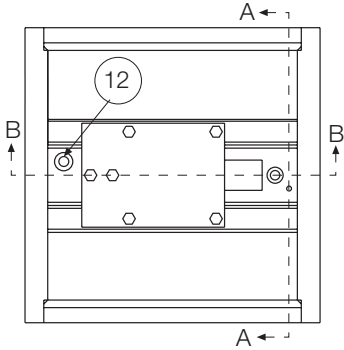
BenchMark® SL and SL/HE Series Single-Point Bench Scales



Section AA (Enlarged)



Section BB (Enlarged)



TOP VIEW OF SCALE WITH COVER REMOVED

BenchMark SL-A

Bench Scales