



Picture is a representation of actual product

Approvals

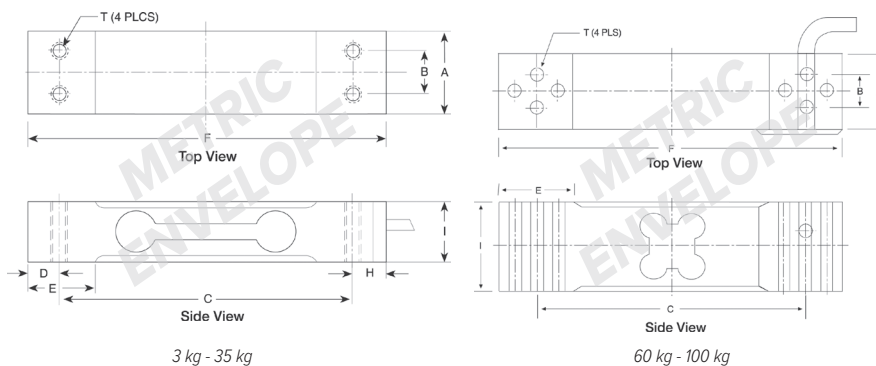


Order Information

Load Rating	Part #	Est. Weight	Price
NTEP Certified			
3 kg	41822	1 lb	Consult
6 kg	41823	1 lb	Consult
10 kg	41824	1 lb	Consult
15 kg	41825	1 lb	Consult
20 kg	41826	1 lb	Consult
Non-NTEP Certified			
10 kg	30145	1 lb	Consult
15 kg	30146	1 lb	Consult
20 kg	30147	1 lb	Consult
30 kg	46502	1 lb	Consult
35 kg	30148	1 lb	Consult
60 kg	41149	2 lb	Consult
100 kg	41150	2 lb	Consult

Dimensions

Rated Capacity	A	B	C	D	E	F	H	I	T
kg/mm									
3	15.0	7.0	58.0	6.0	12.0	70.0	6.0	22.0	M3 × 0.5
6 to 20	30.0	15.0	106.0	12.0	25.0	130.0	12.0	22.0	M6 × 1.0
30 to 35	40.0	15.0	106.0	12.0	25.0	130.0	12.0	22.0	M6 × 1.0
60 to 100	35.0	15.0	117.0	-	-	150.0	-	40.0	M6 × 1.0



Interchangeable Products

- RICE LAKE WEIGHING SYSTEMS
- RL1521A**.....page 158
- VPG® TEDEA-HUNTLEIGH®
- 1022**page 310
- VPG® BLH
- C2G1**
- NMB®
- C2G1**

VPG® CELTRON®

Specifications

- Full Scale Output:**
2.0 mV/V
- Output Resistance:**
350 (± 3) ohm
- Input Resistance:**
410 (± 15) ohm
- Material/Finish:**
Aluminum
- Temperature:**
Compensated:
14 °F to 104 °F (-10 °C to 40 °C)
Operating:
0 °F to 150 °F (-18 °C to 65 °C)
- Seal Type:**
Environmentally sealed, IP65
- Safe Overload:**
150% full scale
- Rated Excitation:**
5 to 15 VDC
- Combined Error:**
0.25% full scale
- Non-repeatability:**
0.02%
- Insulation Resistance:**
5,000 megohm
- Cable Length:**
3 to 35 kg: 16.5 in
60 kg: 14 in
100 kg: 6.5 ft
- Cable Diameter:**
0.14 in
PVC jacket
- Cable Color Code:**
Red +Excitation
Black -Excitation
Green +Signal
White -Signal
- Max Platform Size:**
13.75 × 13.75 in
- Warranty:**
One-year limited
- Approvals:**
cFMus
NTEP