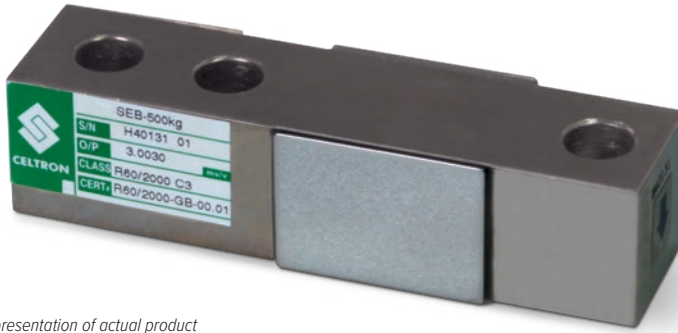


# SEB

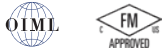
Alloy Steel, Environmentally Sealed, OIML C3, IP67

VPG CELTRON



Picture is a representation of actual product

### Approvals

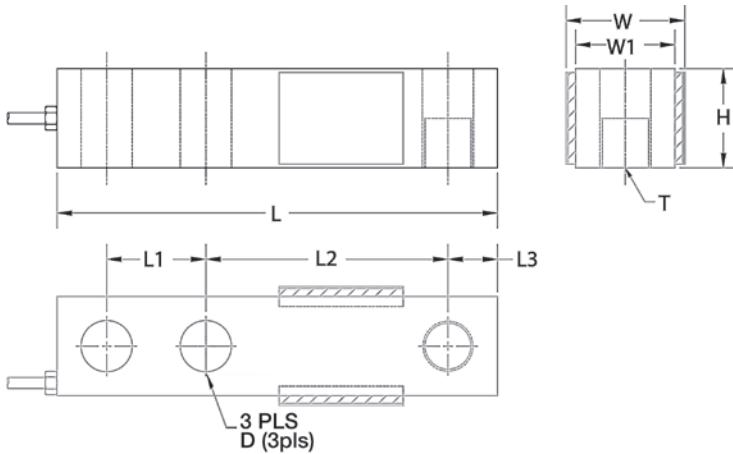


### Order Information

Load Rating	Part #	Est. Weight	Price
500 kg	69315	3 lb	Consult
1 t	69316	3 lb	Consult
2 t	69318	3 lb	Consult
2.5 t	69319	3 lb	Consult

### Dimensions

Rated Capacity	L	L1	L2	L3	W	W1	H	D	T
kg-t/mm									
500 to 2.5	130.0	25.4	76.2	12.7	38.1	31.8	31.8	13.5	M12 × 1.75



### Specifications

- Full Scale Output:**  
3.0 mV/V
- Output Resistance:**  
350 (± 3) ohm
- Input Resistance:**  
385 (± 5) ohm
- Material/Finish:**  
High-alloy steel, nickel plated
- Temperature:**  
Compensated range  
14 °F to 104 °F (-10 °C to 40 °C)  
Operating range  
0 °F to 150 °F (-18 °C to 65 °C)
- Seal Type:**  
Environmentally sealed, IP67
- Safe Overload:**  
150% full scale
- Safe Sideload:**  
100% full scale
- Rated Excitation:**  
5 to 10 VAC/DC (15 V maximum)
- Combined Error:**  
0.025%
- Insulation Resistance:**  
5,000 megohm
- Cable Length:**  
6 m
- Cable Diameter:**  
0.200 in  
Polyurethane jacket
- Cable Color Code:**  
Red +Excitation  
Black -Excitation  
Green +Signal  
White -Signal
- Warranty:**  
One-year limited
- Approvals:**  
cFMus  
OIML