

SQB-HSS

Stainless Steel, Welded Seal, NTEP Certified 1:5,000 Class III Multiple Cell, IP67



Picture is a representation of actual product

Approvals



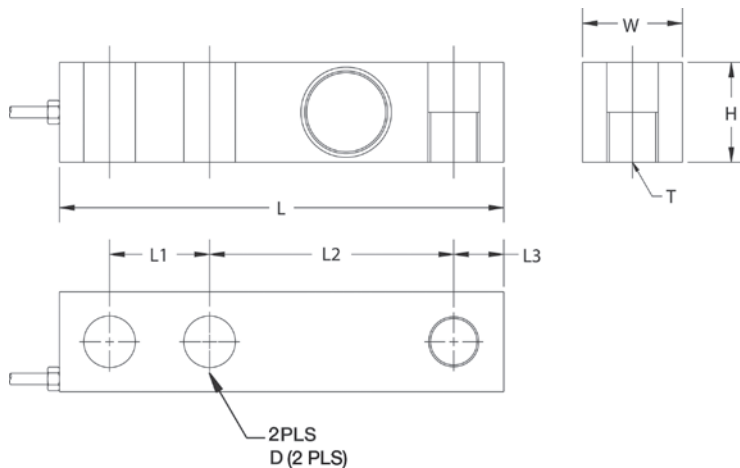
Order Information

Load Rating	Part #	Est. Weight	Price
1,000 lb	67118	3 lb	Consult
2,000 lb	67119	3 lb	Consult
2,500 lb	67120	3 lb	Consult
3,000 lb	67121	3 lb	Consult
4,000 lb	67122	3 lb	Consult
5,000 lb SE	67123	3 lb	Consult
5,000 lb LE	67124	5 lb	Consult
10,000 lb	67125	5 lb	Consult

SE=small envelope; LE=large envelope

Dimensions

Rated Capacity	L	L1	L2	L3	W	H	D	T
lb/in								
1,000 to 5,000 SE	5.12	1.00	3.00	0.50	1.25	1.25	0.53	1/2-20 UNF
5,000 LE to 10,000	6.75	1.50	3.75	0.75	1.50	1.50	0.78	3/4-16 UNF



Interchangeable Products

VPG® SENSORTRONICS
65083..... page 300

Weigh Module Available

RICE LAKE WEIGHING SYSTEMS
RL1800 Series..... page 54

Specifications

- Full Scale Output:**
3.0 mV/V
- Output Resistance:**
350 (± 3) ohm
- Input Resistance:**
385 (± 5) ohm
- Material/Finish:**
Stainless steel
- Temperature:**
Compensated range
14 °F to 104 °F (-10 °C to 40 °C)
Operating range
0 °F to 150 °F (-18 °C to 65 °C)
- Seal Type:**
Welded-seal, IP67
- Safe Overload:**
150% full scale
- Safe Sideload:**
100% full scale
- Rated Excitation:**
5 to 10 VDC (15 V maximum)
- Combined Error:**
0.02 full scale
- Insulation Resistance:**
5,000 megohm
- Cable Length:**
20 ft
- Cable Diameter:**
0.200 in
Polyurethane jacket
- Cable Color Code:**
Red +Excitation
Black -Excitation
Green +Signal
White -Signal
- Warranty:**
One-year limited
- Approvals:**
cFMus
NTEP