



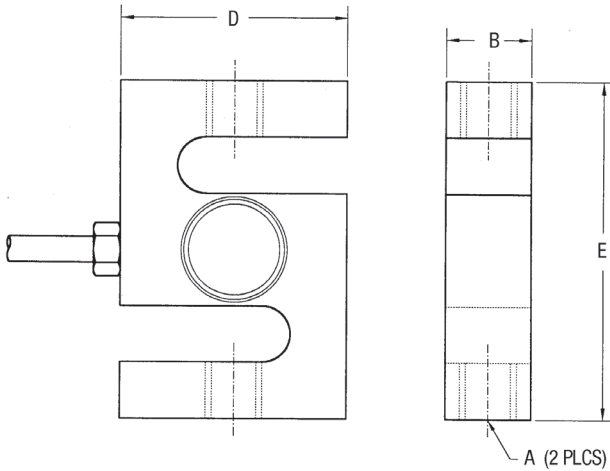
Picture is a representation of actual product

Order Information

Load Rating	Part #	Est. Weight	Price
500 lb	69326	2 lb	Consult
750 lb	69327	2 lb	Consult
1,000 lb	69328	2 lb	Consult
1,500 lb	69329	2 lb	Consult
2,000 lb	69330	2 lb	Consult
2,500 lb	69331	2 lb	Consult
3,000 lb	69332	2 lb	Consult
5,000 lb	69333	4 lb	Consult
10,000 lb	69334	4 lb	Consult

Dimensions

Rated Capacity	A	B	D	E
lb/in				
500 to 3,000	1/2-20 UNF	1.00	2.00	2.97
5,000 to 10,000	3/4-16 UNF	1.00	3.00	4.25



Weigh Module Available

RICE LAKE WEIGHING SYSTEMS
**ITCM-Isolated
 Tension Cell Mount.....** page 38

Specifications

- Full Scale Output:**
2.0 mV/V
- Output Resistance:**
350 (± 3) ohm
- Input Resistance:**
385 (± 5) ohm
- Material/Finish:**
Stainless steel
- Temperature:**
Operating:
0 °F to 150 °F (-18 °C to 65 °C)
- Seal Type:**
Welded-seal, IP67
- Safe Overload:**
150% full scale
- Rated Excitation:**
5 to 15 VDC
- Combined Error:**
0.05%
- Insulation Resistance:**
5,000 megohm
- Cable Length:**
20 ft
- Cable Diameter:**
0.200 in
Polyurethane jacket
- Cable Color Code:**
Red +Excitation
Black -Excitation
Green +Signal
White -Signal
- Warranty:**
One-year limited