

PIN7000/PIN7010 Pneumatic Pressure Intensifier



PIN7000



PIN7010 - Discontinued, Consult Factory for Repair/Calibration Service

STANDARD FEATURES

- Available in self-contained enclosure with carrying handles (PIN7000)
- Internal precision pressure intensifier generates up to 10 times input pressure
- Electronically controlled intensifier system
- Precision regulator to adjust input pressure
- Three gauges to monitor regulated pressure, accumulated pressure, and output pressure
- Patented micro-metering valves for pressure adjustment and venting
- Quick-disconnect fittings and hoses supplied for input and output pressure
- Easy to operate, training can be accomplished in 10 minutes
- Pneumatic only - no hydraulics or distilled water messes

APPLICATIONS

- High pressure supply, up to 10,000 psi, for test equipment
- Ideal for fluid-free high pressure calibration
- Works with all major manufacturer's electronic pressure calibrators

SPECIFICATIONS

Temperature range:

Operating: 40°F to 140°F (4°C to 60°C)
Storage: 0°F to 185°F (-17°C to 85°C)
Relative humidity: 95%, non-condensing

Pressure Media:

Clean dry gaseous nitrogen or clean dry air

Regulated Pressure Gauge:

Size: Two and one half-inch diameter
Range: 0-1500 psi

Accumulator and Output Pressure Gauges:

Size: Two and one half-inch diameter
Range: 0-15,000 psi

Control valves:

Type: Micro-metering with positive shut off, adjustable stop and replaceable seat, non destructible Vernier mechanical rotation: 16 turns, nominal Adjustable sensitivity: 0.0005 psi, minimum Vernier torque: Finger tip adjust to 10,000 psi Material: 300 series stainless steel outer body

Internal piping:

Tubing: 1/4 in. O.D. and 1/8 in. O.D.
300 series stainless steel, seamless
Couplings: 300 series stainless steel Swagelok®

Output test ports:

Style: Quick-disconnect type
Pressure rating: 10,000 psig minimum, connected or disconnected
Quantity supplied: 2 output Quick Disconnects (one, p/o output pressure hose mentioned below)

Pressure Hoses:

Quantity supplied: 2; one input and one output
Length: 4 ft., nominal each hose

Booster Pump solenoid valve:

Type: Three-way, normally closed, electronically controlled
Pressure rating: 1500 psig
Power Requirements:
115 VAC, 50 Hz, 10 watts
Note: 220 VAC also available

Input Pressure Condec REG 1000 Regulator:

Pressure rating: 3000 psi maximum
Output pressure range: 0-1000 psi
Construction: Self-relieving, single stage regulator

External housing:

PIN7000: Deep drawn aluminum case with cover and handles

External Finish:

PIN7000: Grey polyurethane baked-enamel paint, textured finish

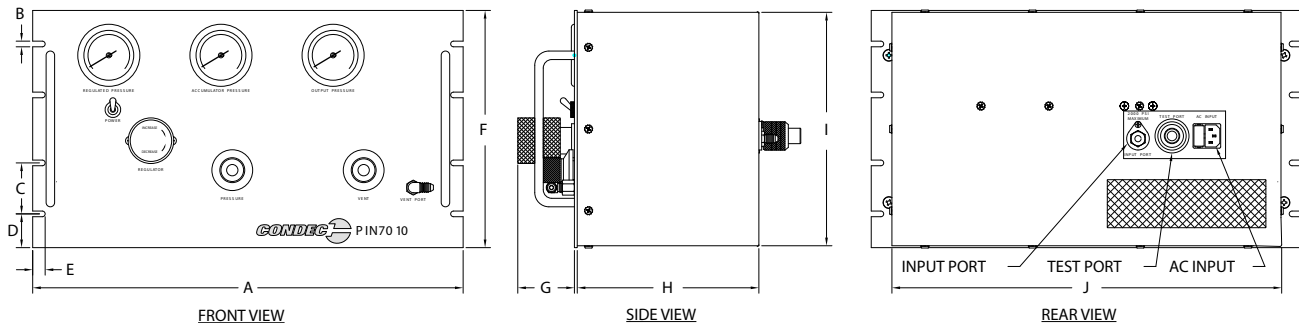
Weight:

Approximately 40 lb (18.1 kg), nominal including all fitting, hoses and power cord

DIMENSIONS	
A	19.0 in. (482.60 mm)
B	0.25 in. (6.35 mm)
C	2.25 in. (57.15 mm)
D	1.48 in. (37.59 mm)
E	0.55 in. (13.97 mm)
F	10.47 in. (265.93 mm)
G	2.60 in. (66.04 mm)
H	8.00 in. (203.20 mm)
I	10.36 in. (263.24 mm)
J	17.18 in. (436.37 mm)

Rack-mount dimensions are for reference only. Consult factory for cutout dimensions

PRESSURE INTENSIFIER



PIN7000 dimensions (not shown):
18 W x 11 D x 11.5 in. H (457.2 W x 279.4 D x 292.1 mm H)

PIN7000/PIN7010 Pneumatic Pressure Intensifier

MODEL/PRICE

MODEL	DESCRIPTION	EST. SHIP WEIGHT	PRICE
PIN7000	Portable Pneumatic Pressure Intensifier	44 lb	Consult
PIN7010 †	19 inch rack-mount Pneumatic Pressure Intensifier	44 lb	Consult

† Discontinued, Consult Factory for Repair Service

PIN7000/PIN7010 Model Numbering Guide

PIN7000/PIN7010 () ()

POWER

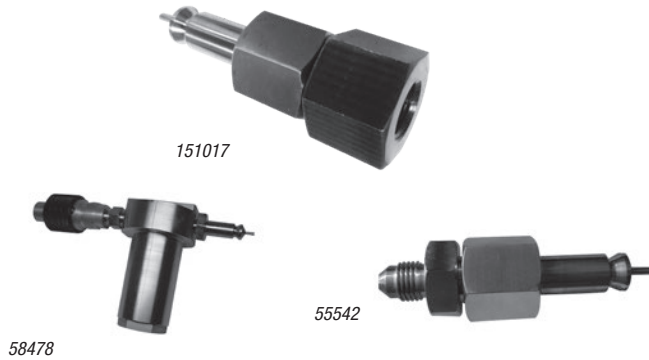
A = 115 VAC, 50/60 Hz
 B = 230 VAC, 50/60 Hz

OPTIONS

A = Standard, 10,000 psi max output

Determine model configuration before ordering

Example: PIN7000AA = PIN7000 (A) 115 VAC (A) Standard



OPTIONS/ACCESSORIES

PART #	DESCRIPTION	PRICE
63258	Additional operating & maintenance manual	Consult
58478	Pressure trap (PIN7000/PIN7010) Literature sheet PN 58596	Consult
55542	Standard quick-disconnect test port (output) fitting male plug on one end and 7/16-20 37 DEG (AN-4) JIC male on opposite end w/ internal 40 micron filter, 11000 PSI working pressure (Requires one Cheat Seal 54854)	Consult
151017	Output (test) port quick-disconnect adapter male coupling body, other end 1/4-18 NPT female SST with 40 micron filter, 11000 PSI working pressure, for mating between CONDEC DPDG and PIN7000 or PIN7010	Consult
55280	Additional test port (output) 4-1/2 ft. long hose with quick-disconnect (SST) plug on one end and 1/4 in. 37° female AN swivel pressure fitting on opposite end	Consult
131096 ††	Additional test port (output) 10 ft. long hose with quick-disconnect (SST) plug on one end and 1/4 in. 37° female AN swivel pressure fitting on opposite end	Consult
78939	Additional fill port (input) 5 ft. long hose with CGA-580 male nipple on one end and 1/4 in. 37° female AN swivel pressure fitting on opposite end	Consult
55366 ††	Additional fill port (input) 10 ft. long hose with CGA-580 male nipple on one end and 1/4 in. 37° female AN swivel pressure fitting on opposite end	Consult
55369 ††	Additional fill port (input) 15 ft. long hose with CGA-580 male nipple on one end and 1/4 in. 37° female AN swivel pressure fitting on opposite end	Consult
162561 ††	Additional fill port (input) 20 ft. long hose with CGA-580 male nipple on one end and 1/4 in. 37° female AN swivel pressure fitting on opposite end	Consult
150613	External Cylinder Fill 5 ft. long hose with CGA-580 Type Male Nipple Both Ends 0-3000 PSI Working Pressure (Used For Filling External Pressure Cylinder PN 59533)	Consult

†† Consult Factory for Availability.