

CHECKWEIGHERS

# SURVIVOR® CW-80

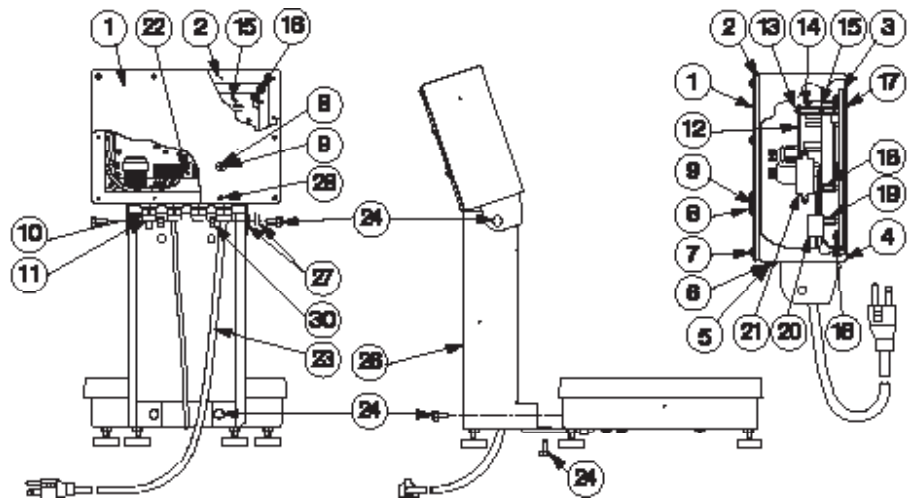
Indicator & Column Assemblies



## Part Number/Price

Ref#	Part#	Description	Price
	47966	Shield, high-voltage	Consult
	31594	Cable assembly, power supply	Consult
	30907	Indicator stand/wall-mount bracket	Consult
	15671	Cable grip, 1/4 NPT, battery backup box	Consult
	30330	Enclosure, battery backup box	Consult
	15664	Reducing gland, 9 mm x 3/8 NPT	Consult
	30375	Seal ring, nylon	Consult
	15627	Lock nut, cord grips	Consult
	15134	Lock washer, #8	Consult
	15369	Line filter standoff, female 6-32 NC x 3/4	Consult
	16892	Ground/earth label	Consult
	32292	Guide tube	Consult
	45043	Wire, ground, 4 in	Consult
	35993	115 VAC fuse, 250 mA (2)	Consult
1	71346	Backplate (10 hole design)	Consult
2	65888	Gasket, rear panel (16 hole design)	Consult
3	30341	Gasket, front panel	Consult
5	22086	Screw, 6-32 NC x 1/4 Phillips pan head, SS	Consult
6	30625	Washer, plain #8 nylon	Consult
7	14862	Black plate gasket screw, 8-32 NC x 3/8 Phillips pan head	Consult
7	45042	Washer, black plate gasket screw	Consult
8	32365	Screw, 1/4-20 NC x 1/4 drilled fillister, sealing screw	Consult
9	44676	Washer, bonded sealing, #14	Consult
10	15626	Cord grip assembly, PG9	Consult
11	19538	Plug, post screw	Consult
11	71349	Breathing filter	Consult
12	31294	Power supply board, 115VAC	Consult
12	31295	Power supply board, 230VAC	Consult
12	31701	Power supply board, 115VAC w/BBU charging circuit & TTL	Consult

All replacement indicators feature stainless steel construction and are NEMA Type 4X/IP66 rated  
(See CW-80-A)



CW-80-A

Checkweighers

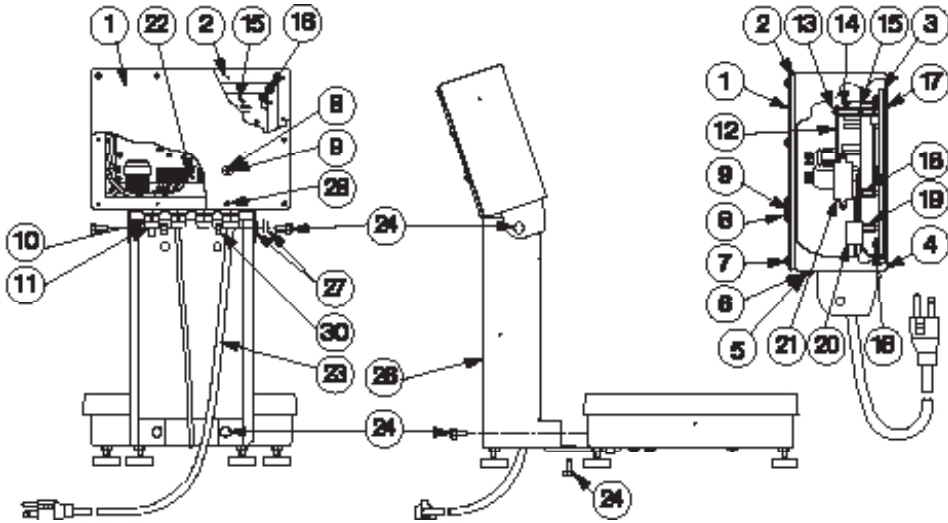
CHECKWEIGHERS  
**SURVIVOR® CW-80**  
 Indicator & Column Assemblies



**Part Number/Price**

Ref#	Part#	Description	Price
	35994	Fuse, 230	Consult
	35993	Fuse, 110	Consult
	32719	Transformer	Consult
13	14831	Screw, MACH 4-40 NC x 5/16 Phillips pan head, locking	Consult
14	31597	Standoff, male-female, 4-40 NC x 3/4 1/4 hex, steel	Consult
	42695	IC, EEPROM, SMT HN58C256FP, D8	Consult
16	14626	Nut, Kep 8-32 hex external tooth lock washer	Consult
18	15388	Standoff, male-female 4-40 NC x 3/8 1/4 hex, steel	Consult
19	31596	Standoff, male-female 4-40 NC x 7/16 1/4 hex, steel	Consult
20	15650	Cable tie mount	Consult
	15631	3 in nylon tie	Consult
21	32184	Line filter assembly (old style)	Consult
21	47764	Line filter assembly (new style)	Consult
22	31595	Support, for circuit board	Consult
23	41965	Power cord assembly, 115VAC	Consult
23	45254	Power cord assembly, 230VAC	Consult
24	14956	Bolt, 1/4-20 hex head	Consult
26	30208	Column, 30 in (only for 18 x 18 base or larger)	Consult
26	30207	Column, 24 in	Consult
26	30206	Column, 18 in	Consult
26	30205	Column, 12 in	Consult
27	15148	Washer, lock	Consult
28	30623	Screw, 8-32 NC x 7/16 slotted fillister, SS	Consult
30	14634	Nut, lock, 1/4-20 NC hex	Consult

(See Diagram CW-80-A)



CW-80-A

Checkweighers

CHECKWEIGHERS

# SURVIVOR® CW-80

10 x 10in Base Assembly

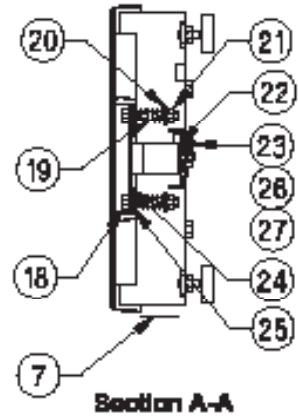
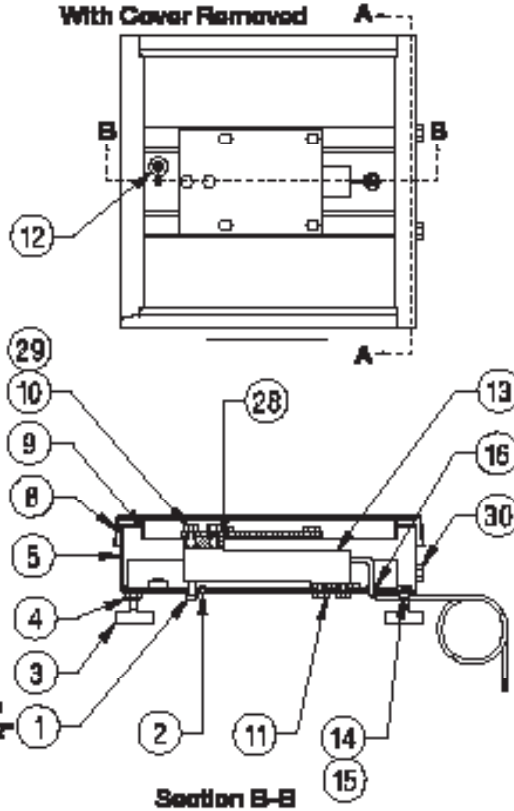


## Part Number/Price

Ref#	Part#	Description	Price
	40543	Operating manual	Consult
2	14920	Screw, overload protection, 8-32 NC x 1/4	Consult
3	35128	Foot, 1/4-20 NC	Consult
4	14645	Jam nut, foot	Consult
5	19086	Bottom subassembly	Consult
7	16863	Label, bench scale	Consult
8	19091	Cover, top, 10 in x 10 in	Consult
9	19088	Top sub-assembly	Consult
10	15148	Washer, lock, #8 SS	Consult
11	14963	Screw, cap, 1/4-20 NC x 3/4	Consult
12	15410	Spirit level bubble, plastic	Consult
13	30783	Load cell, RL1380, 7 kg (6 lb model)	Consult
13	30782	Load cell, RL1380, 10 kg (10 lb model)	Consult
13	30781	Load cell, RL1380, 15 kg (15 lb model)	Consult
13	30780	Load cell, RL1380, 30 kg (30 lb model)	Consult
14	15132	Washer, lock, #8 SS	Consult
15	14857	Screw, pan head	Consult
16	15408	Grommet, rubber, 3/16 ID	Consult
17	16141	Cable tie	Consult
18	14984	Bolt, overload spring (6-15 lb models)	Consult
18	21947	Bolt, overload spring (30 lb model)	Consult

(See Diagram CW-80-B)

Top View Of Scale  
With Cover Removed



Checkweighers

CW-80 B

CHECKWEIGHERS  
**SURVIVOR® CW-80**  
 10 X 10in Base Assembly

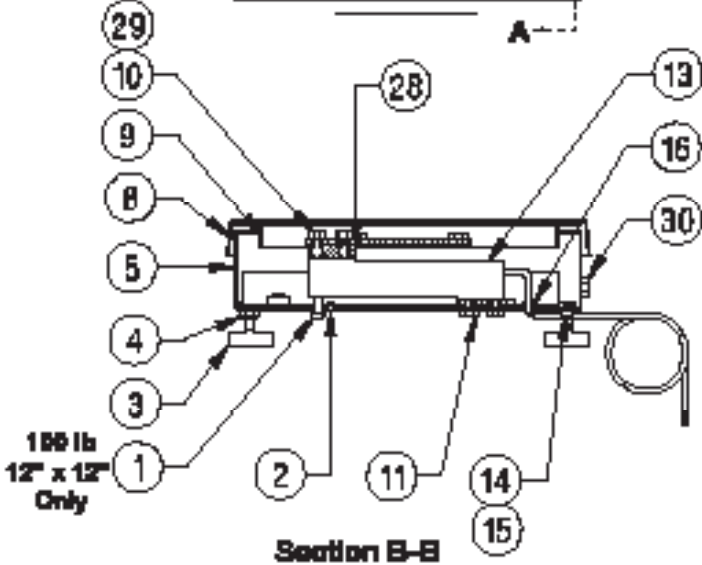
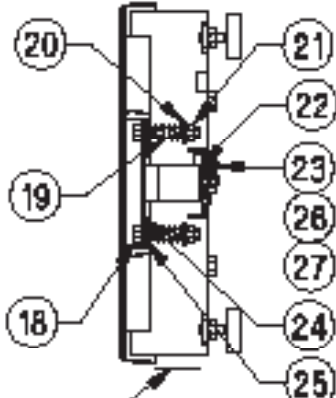
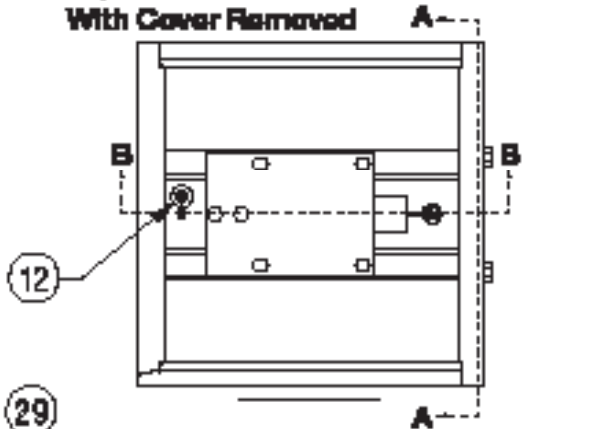
**Part Number/Price**

Ref#	Part#	Description	Price
19	21945	Spring, overload (6 lb model)	Consult
19	15416	Spring, overload (10 lb model)	Consult
19	21946	Spring, overload (15 lb model)	Consult
19	21944	Spring, overload (30 lb model)	Consult
20	15149	Washer, flat, SS	Consult
21	14634	Nut, nylon insert, 1/4-20NC, SS	Consult
22	35082	Shim, load cell	Consult
23	15409	Clamp, nylon cable	Consult
25	15150	Washer, sealing, 5/16	Consult
26	15138	Washer #8 SS	Consult
27	14862	Screw, cable clamp, 8-32 NC x 3/8	Consult
<b>OIML Models</b>			
13	30780	Load cell, RL1380, 30 kg (15 kg model)	Consult
24	19090	Load plate	Consult

(See Diagram CW-80-B)



**Top View Of Scale  
 With Cover Removed**



CW-80 B

**Checkweighers**

CHECKWEIGHERS

# SURVIVOR® CW-80

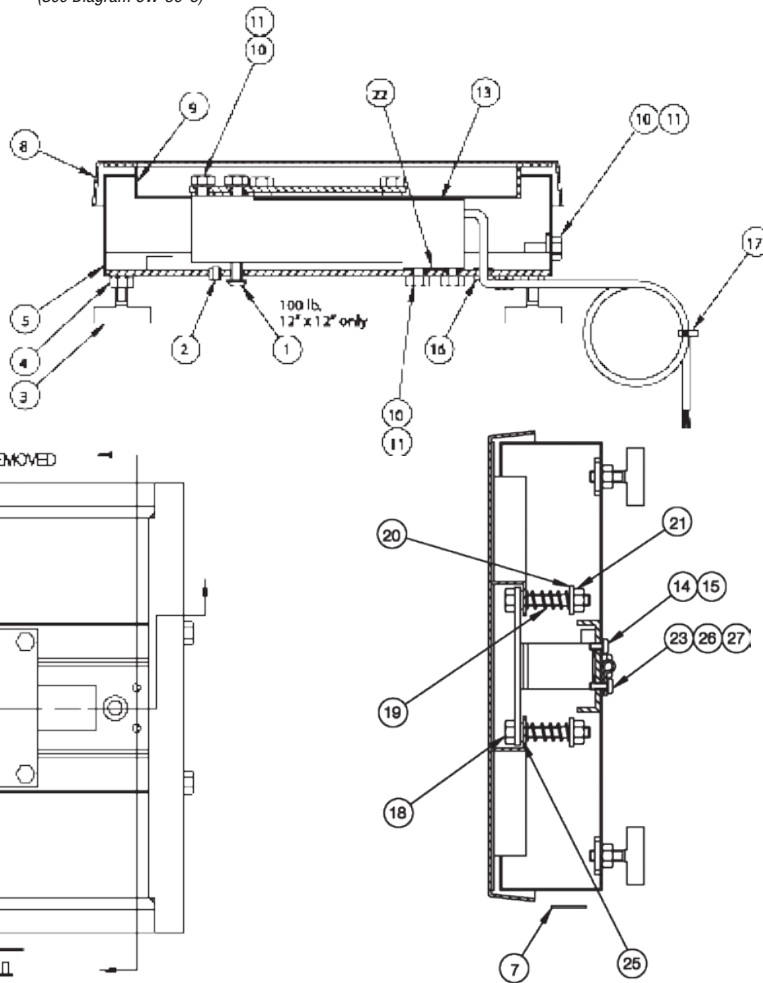
12 x 12in Base Assembly



## Part Number/Price

Ref#	Part#	Description	Price
	40543	Operating manual	Consult
1	14951	Screw, cap, 1/4-28 NF x 3/8 (100 lb only)	Consult
2	14920	Screw, overload protection, 8-32 NC x 1/4	Consult
3	35128	Foot, 1/4-20 NC	Consult
4	14645	Jam nut, foot	Consult
5	35066	Bottom sub-assembly	Consult
7	16863	Label, bench scale (30 and 60 lb models)	Consult
8	35069	Cover, top, 12 in x 12 in	Consult
9	35068	Top sub-assembly	Consult
10	15148	Washer, lock, #8 SS	Consult
11	14963	Screw, cap, 1/4-20 NC x 3/4 (30 and 60 lb)	Consult
11	14956	Screw, cap, 1/4-20 NC x 1/2 (100 lb)	Consult
12	15410	Spirit level bubble, plastic	Consult
13	30780	Load cell, RL1380, 30 kg (30 lb model)	Consult
13	30779	Load cell, RL1380, 60 kg (60 lb model)	Consult
13	91732	Load cell, RLSP4, 100 kg (100 lb model)	Consult
14	15132	Washer, lock, #8 SS	Consult
15	14857	Screw, pan head	Consult
16	15408	Grommet, rubber, 3/16 ID	Consult
17	16141	Cable tie	Consult

(See Diagram CW-80-C)



CW-80-C

Checkweighers

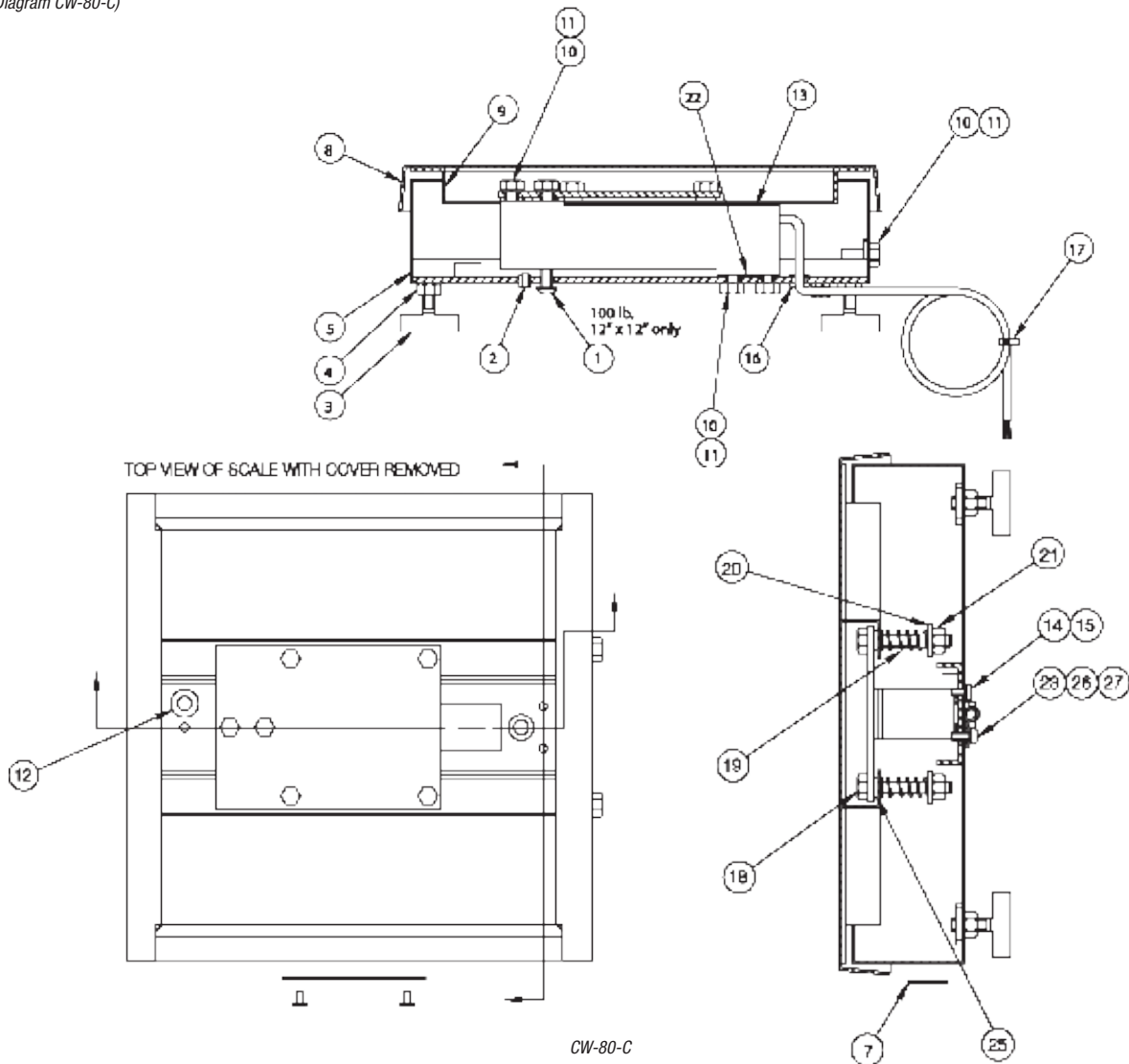
CHECKWEIGHERS  
**SURVIVOR® CW-80**  
 12 x 12in Base Assembly



**Part Number/Price**

Ref#	Part#	Description	Price
18	21947	Bolt, overload spring (30 lb model)	Consult
18	14984	Bolt, overload spring (60 lb model)	Consult
18	35199	Bolt, overload spring (100 lb model)	Consult
19	21944	Spring, overload (30 lb model)	Consult
19	35086	Spring, overload (60 lb model)	Consult
19	35200	Spring, overload (100 lb model)	Consult
20	15149	Washer, flat, SS	Consult
21	14634	Nut, nylon insert, 1/4-20 NC, SS	Consult
22	35082	Shim, load cell (30 and 60 lb models)	Consult
22	19089	Shim, load cell (30 lb, 60 lb and 100 lb models)	Consult
23	15409	Clamp, nylon cable	Consult
24	35067	Load plate (100 lb model)	Consult
25	15150	Washer, sealing, 5/16	Consult
26	15138	Washer #8 SS	Consult
27	14862	Screw, cable clamp, 8-32 NC x 3/8	Consult
<b>OIML Models</b>			
13	30780	Load cell, RL1380, 30 kg (15 kg model)	Consult
13	30779	Load cell, RL1380, 60 kg (30 kg model)	Consult
24	19090	Load plate	Consult

(See Diagram CW-80-C)



Checkweighers

CHECKWEIGHERS

# SURVIVOR® CW-80

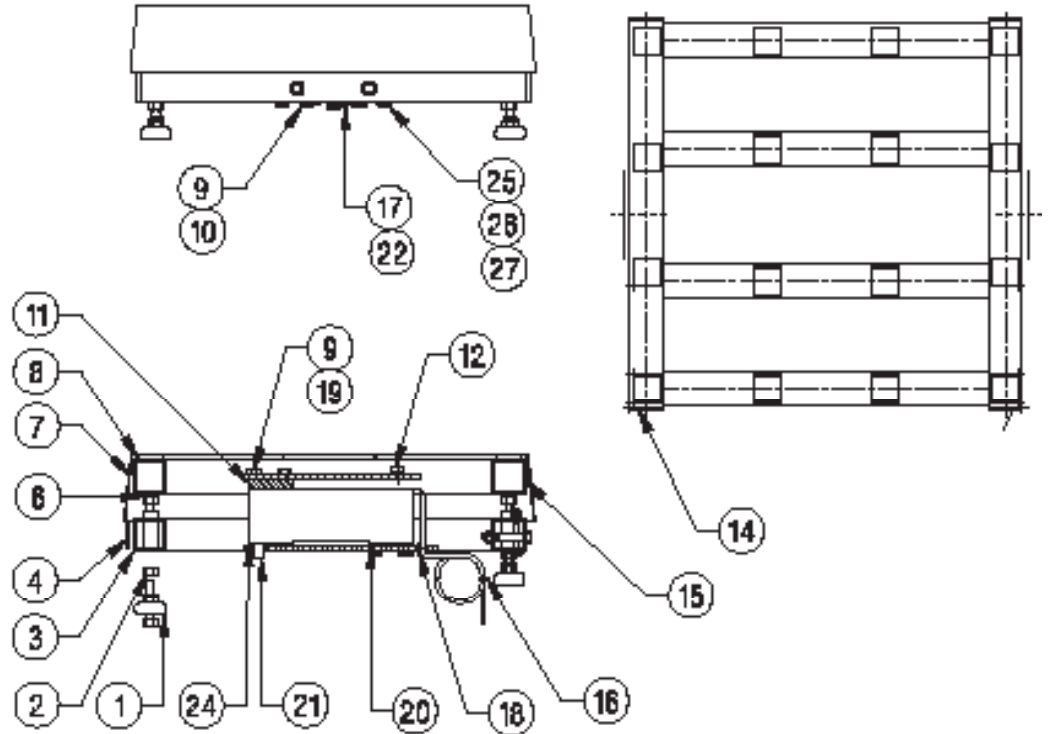
18 x 18in, 18 x 24in, 24 x 24in Base Assembly



## Part Number/Price

Ref#	Part#	Description	Price
	22125	Operating manual	Consult
	10082	Pad, 23.10 x 23.10	Consult
1	19141	Foot, 3/8-16 x .78	Consult
2	14649	Jam nut, foot MS	Consult
2	14653	Jam nut, foot SS	Consult
3	49766	Frame bottom, 18 in x 18 in, MS (RL1260 load cell)	Consult
3	49768	Frame bottom, 18 in x 18 in, SS (RL1260 load cell)	Consult
3	49770	Frame bottom, 18 in x 24 in, MS (RL1260 load cell)	Consult
3	49772	Frame bottom, 18 in x 24 in, SS (RL1260 load cell)	Consult
3	49774	Frame bottom, 24 in x 24 in, MS (RL1260 load cell)	Consult
3	49776	Frame bottom, 24 in x 24 in, SS (RL1260 load cell)	Consult
3	19108	Frame bottom, 18 in x 18 in, MS (RL1250 load cell)	Consult
3	19109	Frame bottom, 18 in x 18 in, SS (RL1250 load cell)	Consult
3	19110	Frame bottom, 18 in x 24 in, MS (RL1250 load cell)	Consult
3	19111	Frame bottom, 18 in x 24 in, SS (RL1250 load cell)	Consult
3	19112	Frame bottom, 24 in x 24 in, MS (RL1250 load cell)	Consult
3	19114	Frame bottom, 24 in x 24 in, SS (RL1250 load cell)	Consult
4	52342	Label roll, 4 in x 1.25 in	Consult
6	14742	Bolt, 3/8-16 NC x 1, hex head	Consult
7	19094	Cover, top, 18 in x 18 in	Consult
7	19095	Cover, top, 18 in x 24 in	Consult
7	19096	Cover, top, 24 in x 24 in	Consult
8	26407	Bumper, self adhesive	Consult
9	15153	Washer, lock, 5/16 regular, MS	Consult
9	15154	Washer, lock, 5/16 regular, SS	Consult
10	26668	Screw, cap, 5/16-18 NC x 3/4, hex, MS	Consult
10	26669	Screw, cap, 5/16-18 NC x 3/4, hex, SS	Consult
10	26667	Screw, cap, 5/16-18 NC x 1, hex, MS	Consult
10	26670	Screw, cap, 5/16-18 NC x 1, hex, SS	Consult

(See Diagram CW-80-D)



CW-80-D

**SURVIVOR® CW-80**

18 x 18 in, 18 x 24 in, 24 x 24 in Base Assembly

**Part Number/Price**

Ref#	Part#	Description	Price
11	49785	Plate, washer, MS (RL1260 load cell)	Consult
11	49786	Plate, washer, SS (RL1260 load cell)	Consult
11	19102	Plate, washer, MS (RL1250 load cell)	Consult
11	19103	Plate, washer, SS (RL1250 load cell)	Consult
12	15410	Level, spirit bubble	Consult
14	19140	Insert, glide, square	Consult
15	49765	Frame, top, 18 in x 18 in, MS (RL1260 load cell)	Consult
15	49767	Frame, top, 18 in x 18 in, SS (RL1260 load cell)	Consult
15	19116	Frame, top, 18 in x 18 in, MS (RL1250 load cell)	Consult
15	19117	Frame, top, 18 in x 18 in, SS (RL1250 load cell)	Consult
15	19118	Frame, top, 18 in x 24 in, MS (RL1250 load cell)	Consult
15	19119	Frame, top, 18 in x 24 in, SS (RL1250 load cell)	Consult
15	49769	Frame, top, 18 in x 24 in, MS (RL1260 load cell)	Consult
15	49771	Frame, top, 18 in x 24 in, SS (RL1260 load cell)	Consult
15	49773	Frame, top, 24 in x 24 in, MS (RL1260 load cell)	Consult
15	49775	Frame, top, 24 in x 24 in, SS (RL1260 load cell)	Consult
15	19120	Frame, top, 24 in x 24 in, MS (RL1250 load cell)	Consult
15	19121	Frame, top, 24 in x 24 in, SS (RL1250 load cell)	Consult
16	16141	Cable, tie, 8 in nylon	Consult
17	15409	Clamp, cable, no. 8 hole	Consult
18	15418	Grommet, rubber	Consult
19	49788	Screw, cap, 5/16-18 NC x 1 1/4, hex, MS (RL1260 load cell)	Consult
19	49789	Screw, cap, 5/16-18 NC x 1 1/4, hex, SS (RL1260 load cell)	Consult
19	26667	Screw, cap, 5/16-18 NC x 1, hex, MS (RL1250 load cell)	Consult
19	26668	Screw, cap, 5/16-18 NC x 3/4, hex, MS (RL1250 load cell)	Consult
19	26669	Screw, cap, 5/16-18 NC x 3/4, hex, SS (RL1250 load cell)	Consult
20	49787	Shim plate (RL1260 load cell)	Consult
20	22264	Shim plate (RL1250 load cell)	Consult
21	15045	Screw, set, 1/2-20 NF x 1/2, hex, MS	Consult
21	15047	Screw, set, 1/2-20 NF x 1/2, hex, SS	Consult
22	14858	Screw, Mach, 8-32 NC x 5/16, MS	Consult
22	14862	Screw, Mach, 8-32 NC x 3/8, SS	Consult
24	32849	Load cell, RL1250-N5 50 kg potted (50 lb models)	Consult
24	32855	Load cell, RL1250-N5 100 kg potted (100 lb models)	Consult
24	32854	Load cell, RL1250-N5 150 kg potted (150 lb models)	Consult
24	32853	Load cell, RL1250-N5 200 kg potted (200 lb models)	Consult
24	32852	Load cell, RL1250-N5 250 kg potted (250 lb models)	Consult
24	32851	Load cell, RL1250-N5 300 kg potted (300 lb models)	Consult
24	32850	Load cell, RL1250-N5 500 kg potted (500 lb models)	Consult
24	91683	Load cell, RLPWM12 1000 kg (1000 lb models)	Consult
24	41020	Load cell, RL1260 50 kg (50 lb models)	Consult
24	41022	Load cell, RL1260 100 kg (100 lb models)	Consult
24	158469	Load cell, RL1260 150 kg (150 lb models)	Consult
24	41023	Load cell, RL1260 200 kg (200 lb models)	Consult
24	41024	Load cell, RL1260 250 kg (250 lb models)	Consult
24	41025	Load cell, RL1260 300 kg (300 lb models)	Consult
24	41026	Load cell, RL1260 500 kg (500 lb models)	Consult
25	35316	Screw, cap, 1/4-20 NC x 2, hex, MS	Consult
25	35199	Screw, cap, 1/4-20 NC x 2, hex, SS	Consult
26	15145	Washer, plain, 1/4 Type A, MS	Consult
26	15149	Washer, plain, 1/4 Type A, SS	Consult
27	14635	Nut, lock, 1/4-20 NC, hex, MS	Consult
27	14634	Nut, lock, 1/4-20 NC, hex, SS	Consult

(See Diagram CW-80-D)

