



Specifications

Power:

Line voltages: 115 to 230 VAC
Frequency: 50 /60 Hz

Power Consumption:

1.5 A at 115 VAC (8 W)
0.75 A at 230 VAC (8 W)

Excitation Voltage:

+5 VDC 8 × 350 ohm or 16 × 700 ohm load cells

Analog Signal Input Range:

-0.5 mV/V to 4.5 mV/V

Analog Signal Sensitivity:

0.3 uV/graduation minimum
1.5 uV/graduation recommended

A/D Sample Rate:

7.5 to 960 Hz software selectable

Resolution:

Display: 100,000 counts

System Linearity:

± 0.01% full scale

Digital I/O:

Four channels on CPU board

Circuit Protection:

RFI, EMI, ESD protection

Annunciators:

Designators for percent, kg, gm, lb, oz, center of zero, G/B, N, T, PT, neg, motion

Display:

Large 0.8 in 14-segment, six-digit high-intensity red LED display

Keys/Buttons:

Membrane keypad, 23 keys with international symbols

Temperature Range:

Certified: 14 °F to 104 °F (-10 °C to 40 °C)

Rating/Material:

IP66, 304 stainless steel

Warranty:

Two-year limited

Approvals:

NTEP CC 08-092, Class III/IIIL 10,000d
Measurement Canada AM-5710
OIML R76/2006-GBI-10.02
TC11569
CE Marked
cULus Listed

Approvals



Measurement
Canada
Approved



UL US
LISTED

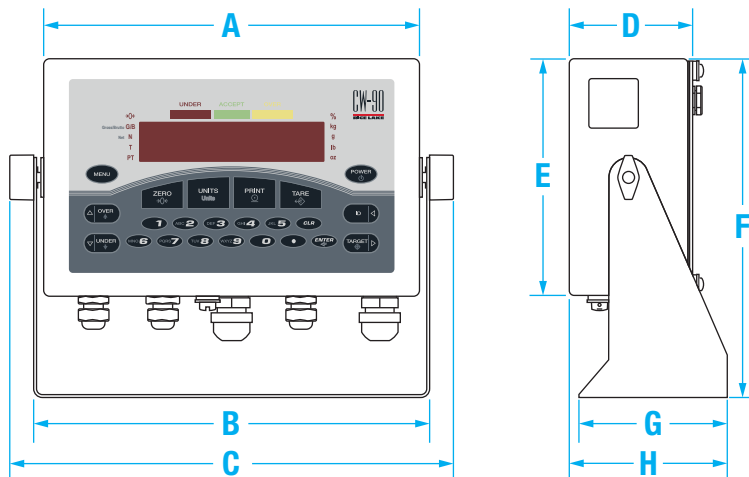


Dimensions

CW-90	
A	9.5 in (241 mm)
B	10.02 in (255 mm)
C	11.24 in (285 mm)
D	3.12 in (79 mm)
E	6.00 in (152 mm)
F	8.57 in (218 mm)
G	3.75 in (95 mm)
H	4.00 in (102 mm)

Standard Features

- PreVent™ breather vent
- Storage for up to 50 IDs
- Unit of measure: kg, gm, lb, oz, lb/oz
- LED display
- Two full duplex serial ports
- Configurable print formats
- Audit trail tracking
- Optional communications: Ethernet, USB or fiber-optic
- Four configurable digital I/O
- Reflash memory to upgrade firmware
- Auto print capability
- Battery backed up time and date
- Accumulator
- Membrane keypad consisting of zero, units, print, tare, over, under, ID, target, 0 to 9, clear, decimal, enter, menu, power



CW-90

Checkweigh Indicator

Part Number/Price

Part #	Description	Est. Weight	Price
105970 [†]	CW-90, 115 VAC	7 lb	Consult
105971 ^{††}	CW-90, 230 VAC, CE marked/OIML approved	7 lb	Consult
118888 [†]	CW-90, 230 VAC	7 lb	Consult
171247 ^{†††}	CW-90, 230 VAC	7 lb	Consult



[†] US plug (NA) - Type B



^{††} Euro Plug - Type E



^{†††} IEC Type I plug

Options/Accessories

Part #	Description	Price
200578	Ethernet TCP/IP, 10 ft cable included	Consult
206272	RS-232/Wi-Fi interface 802.11 A/B	Consult
95357	USB cable, Type A to mini-B, 1 m	Consult
171968	Firmware download cable	Consult
96736	Fiber optic board	Consult
78026	Fiber optic, duplex cable 100 ft	Consult
80892	Fiber optic cutter	Consult
117358	WeighVault (requires part number 200578 or 206272)	Consult

To have your option factory installed, please specify when placing your order.

INDICATORS /
CONTROLLERS



Specifications

Power:

Line voltages: 115 to 230 VAC
Frequency: 50/60 Hz

Power Consumption:

1.5 A at 115 VAC (8 W)
0.75 A at 230 VAC (8 W)

Excitation Voltage:

+5 VDC 8 × 350 ohm or 16 × 700 ohm load cells

Analog Signal Input Range:

-0.5 mV/V to 4.5 mV/V

Analog Signal Sensitivity:

0.3 uV/graduation minimum
1.5 uV/graduation recommended

A/D Sample Rate:

7.5 to 960 Hz software selectable

Resolution:

Display: 100,000 counts

System Linearity:

± 0.01% full scale

Digital I/O:

Four channels on CPU board

Circuit Protection:

RFI, EMI, ESD protection

Annunciators:

Designators for percent, kg, gm, lb, oz, center of zero, G/B, N, T, PT, neg, motion

Display:

Large 0.8 in 14-segment, six-digit high-intensity red LED display

Keys/Buttons:

Piezo keypad, 11 keys with international symbols

Temperature Range:

Certified: 14 °F to 104 °F (-10 °C to 40 °C)

Rating/Material:

IP69K, 304 stainless steel

Warranty:

Three-year limited

Approvals:

NTEP CC 08-092, Class III/IIIL 10,000d
Measurement Canada AM-5710
OIML R76/2006-GBI-10.02
TC11569
CE Marked
cULus Listed

Approvals



Measurement
Canada
Approved

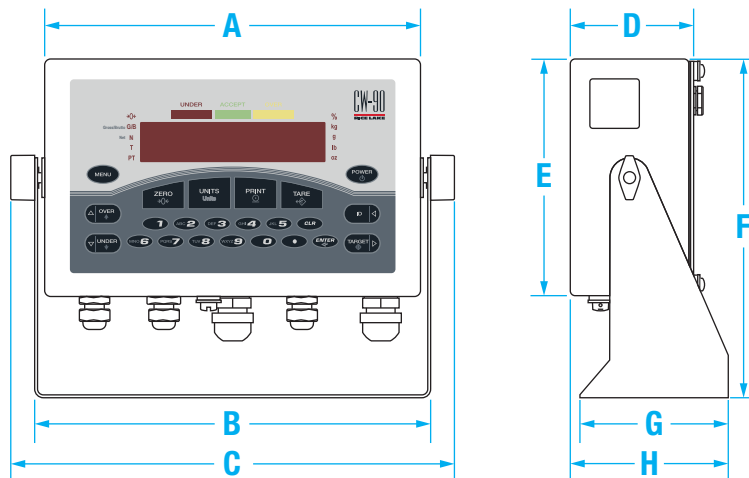


Dimensions

CW-90X	
A	9.5 in (241 mm)
B	10.02 in (255 mm)
C	11.24 in (285 mm)
D	3.12 in (79 mm)
E	6.00 in (152 mm)
F	8.57 in (218 mm)
G	3.75 in (95 mm)
H	4.00 in (102 mm)

Standard Features

- PreVent™ breather vent
- Storage for up to 50 IDs
- Unit of measure: kg, gm, lb, oz, lb/oz
- LED display
- Two full duplex serial ports
- Configurable print formats
- Audit trail tracking
- Optional communications: Ethernet, USB or fiber optic
- Four configurable digital I/O
- Reflash memory to upgrade firmware
- Auto print capability
- Battery backed up time and date
- Accumulator
- Piezo keypad consisting of zero, units, print, tare, over, under, ID, target, enter, menu, power



CW-90X

Checkweigh Indicator

Part Number/Price

Part #	Description	Est. Weight	Price
105972 [†]	CW-90X, 115 VAC	7 lb	Consult
105973 ^{††}	CW-90X, 230 VAC, CE marked/OIML approved	7 lb	Consult
118889 [†]	CW-90X, 230 VAC	7 lb	Consult
171248 ^{†††}	CW-90X, 230 VAC	7 lb	Consult



[†] US plug (NA) - Type B



^{††} Euro Plug - Type E



^{†††} IEC Type I plug

Options/Accessories

Part #	Description	Price
200578	Ethernet TCP/IP, 10 ft cable included	Consult
206272	RS-232/Wi-Fi interface 802.11 A/B	Consult
95357	USB cable, Type A to mini-B, 1 m	Consult
171968	Firmware download cable	Consult
96736	Fiber optic board	Consult
78026	Fiber optic, duplex cable 100 ft	Consult
80892	Fiber optic cutter	Consult
117358	WeighVault™ (requires part number 200578 or 206272)	Consult

To have your option factory installed, please specify when placing your order.

INDICATORS /
CONTROLLERS