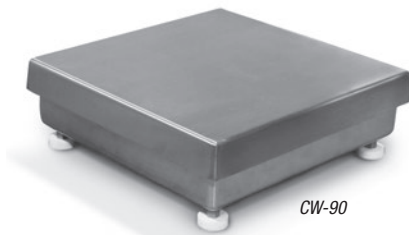


CHECKWEIGHERS  
**CW-90/CW-90X**



CW-90



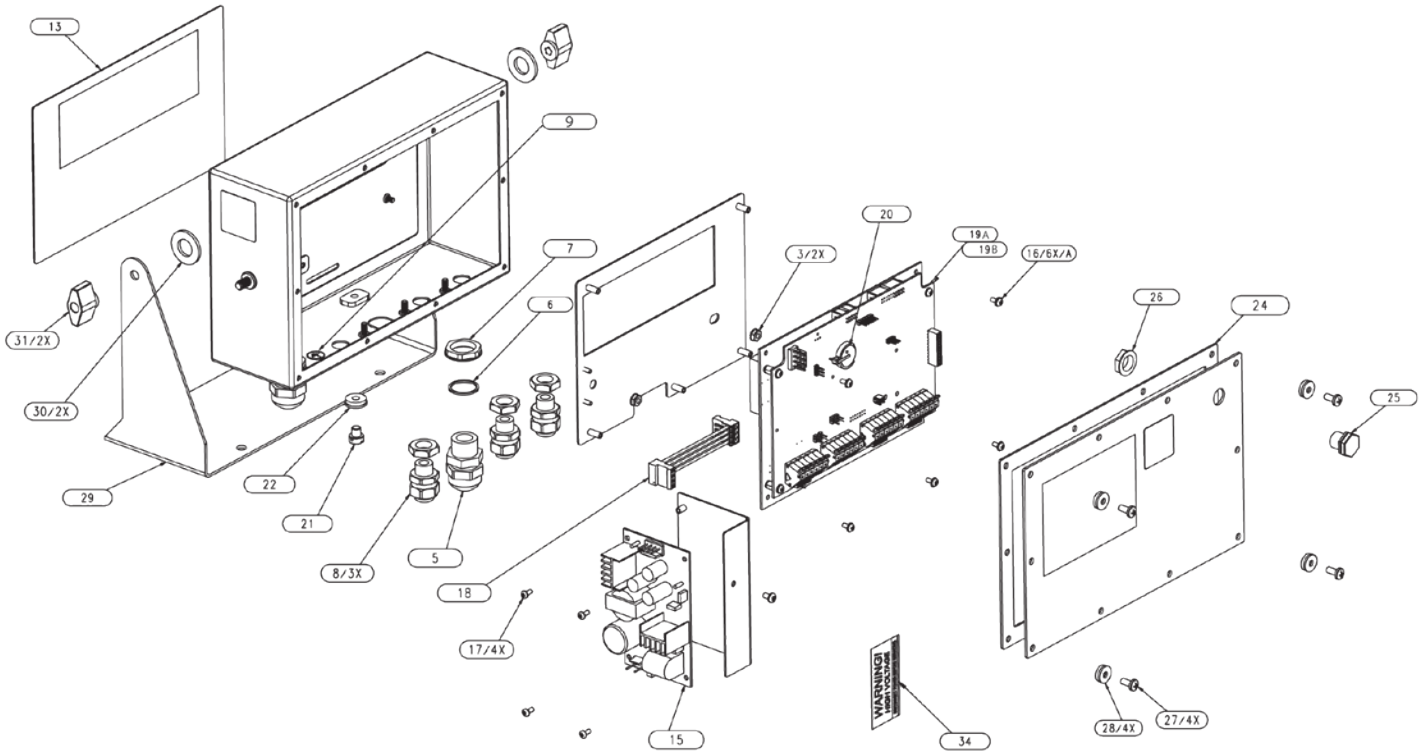
CW-90X

**Part Number/Price**

Ref#	Part#	Description	Price
<b>CW-90X Load Cells</b>			
	<b>107174</b>	RLPWM15HE 10 kg (5 lb and 10 lb scale)	Consult
	<b>107175</b>	RLPWM15HE 20 kg (25 lb scale)	Consult
	<b>107176</b>	RLPWM15HE 50 kg (50 lb scale)	Consult
	<b>107177</b>	RLPWM15HE100 kg (100 lb scale)	Consult
<b>CW-90 Load Cells</b>			
	<b>107756</b>	RL1040 7 kg (5 lb scale)	Consult
	<b>107757</b>	RL1040 10 kg (10 lb scale)	Consult
	<b>107758</b>	RL1040 30 kg (25 lb scale)	Consult
	<b>107759</b>	RL1040 50 kg (50 lb scale)	Consult
	<b>107760</b>	RL1040 100 kg (100 lb scale)	Consult
	<b>107476</b>	Bench scale foot	Consult
	<b>106101</b>	Assembled CPU and display board	Consult
	<b>105555</b>	Coupling nut for feet and overload stops	Consult
	<b>105945</b>	Parts kit, CW-90/90X (1)	Consult
3	<b>14621</b>	Nut, Kep 6-32 NC hex (2)	Consult
4	<b>85202</b>	Power cord assembly, 120VAC (1)	Consult
4	<b>85203</b>	Power cord assembly, 230VAC (1)	Consult
5	<b>68600</b>	Cord grip, PG11 (1)	Consult
6	<b>68599</b>	Seal ring, nylon PG11 (1)	Consult
7	<b>68601</b>	Nut, PG11 (1)	Consult
8	<b>58983</b>	Cable grip, SL-7 with nut (3)	Consult
9	<b>16892</b>	Label, earth ground (1)	Consult
10	<b>15134</b>	Washer, Lock no. 8 type A (3)	Consult
11	<b>14626</b>	Nut, Kep 8-32 NC hex (3)	Consult
12	<b>45043</b>	Wire, ground 4 in W/No.8 (1)	Consult
13	<b>104914</b>	Overlay, membrane switch (CW-90)	Consult
13	<b>104915</b>	Overlay, piezo (CW-90X)	Consult
15	<b>76556</b>	Power supply, switching (1)	Consult
16	<b>14822</b>	Screw, MACH 4-40 NC x 1/4 (6)	Consult
17	<b>14825</b>	Screw, MACH 4-40 NC x 1/4 (4)	Consult
18	<b>105976</b>	Cable assembly, power supply (1)	Consult
19A	<b>102354</b>	CPU (1) (battery p/n 69291 not included)	Consult
19A	<b>120084</b>	CPU CW-90, with battery	Consult
19B	<b>105741</b>	Display (1)	Consult
20	<b>69291</b>	Battery, 3V coin lithium (1)	Consult
21	<b>42640</b>	Screw, MACH 1/4-28 NF X 1/4 (1)	Consult
22	<b>44676</b>	Washer, bonded sealing (1)	Consult
24	<b>84388</b>	Gasket, backplate 420 (1)	Consult
25	<b>182479</b>	Vent, breather sealed (1)	Consult
26	<b>182480</b>	Nut, breather vent (1)	Consult
27	<b>14862</b>	Screw, MACH 8-32 NC x 3/8 (4)	Consult
28	<b>45042</b>	Washer, bonded sealing SST (4)	Consult
29	<b>29635</b>	Stand, tilt SST (1)	Consult
30	<b>103988</b>	Washer, nylon .52 10 x (2)	Consult
31	<b>103610</b>	Knob, black 1/4-20 (2)	Consult
34	<b>16861</b>	Label, warning high (1)	Consult

(See Diagram CW-90/90X)

CHECKWEIGHERS  
**CW-90/CW-90X**



*CW-90/90X Indicator*

Checkweighers