

FLOOR SCALES

DeckHand Portable Scale

Mild Steel



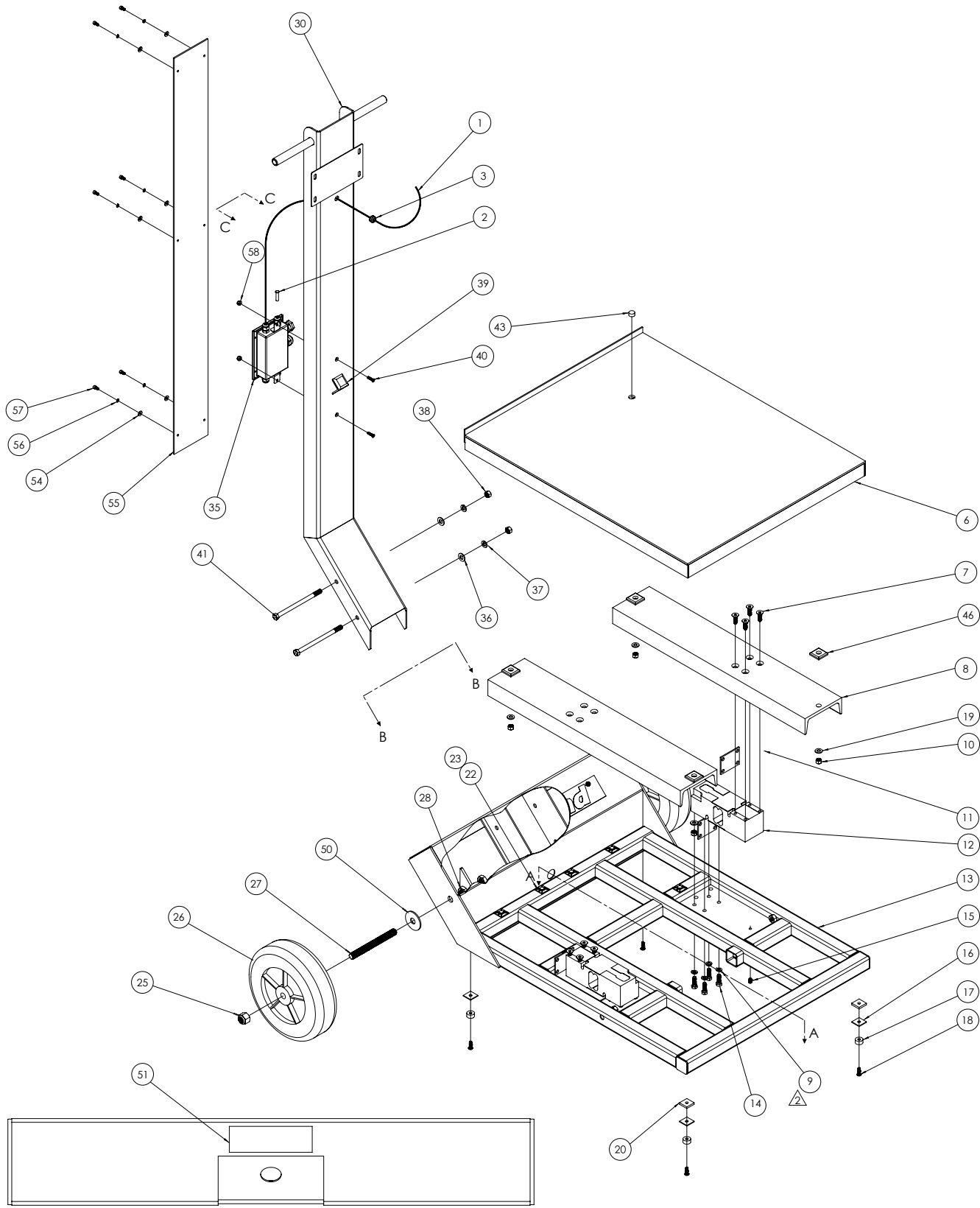
Part Number/Price

Ref#	Part#	Description	Price
1	15494	Cable, 4-conductor, 3 1/2 ft	Consult
3	15398	Grommet, rubber 1/2 x 1/4	Consult
6	40986	Upper platter (DH-500, DH-1000)	Consult
	42654	Upper platter (DH-2000)	Consult
7	14996	Cap screw, 5/16-18 NC x 1	Consult
8	41002	Load cell channels (DH-500)	Consult
	41002	Load cell channels (DH-1000)	Consult
	42664	Load cell channels (DH-2000)	Consult
9	21939	Flat washer, 5/16	Consult
10	14646	Lock nut, 5/16-18 NC, hex	Consult
11	41003	Shim, load cell	Consult
12	41024	Load cell, RL1260 - 500 lb scale	Consult
12	41026	Load cell, RL1260 - 1,000 lb scale	Consult
12	41027	Load cell, RL1260 - 2,000 lb scale	Consult
13	40983	Base platform (DH-500, DH-1000)	Consult
	42616	Base platform (DH-2000)	Consult
14	26667	Cap screws, 5/16-18NC x 1	Consult
15	14989	Overload stop set screw, 5/16 x 18NC x 1/2	Consult
16	41004	Base shim, ramp end	Consult
17	41267	Scale base bumper, 3/4	Consult
18	14964	Cap screw, 1/4-20NC x 3/4	Consult
19	15153	Lock washer, 5/16	Consult
22	15658	Cable tie mount	Consult
23	15631	Cable tie, 3 in	Consult
25	40181	Lock nut, 5/8-11NC	Consult
26	41268	Wheel, 10 dia. x 5/8 bore	Consult
27	41005	Axle, 5/8-11 x 6	Consult
28	14676	Jam nut, 5/8-11NC	Consult
29	41266	Handle grip, 3/4 I.D.	Consult
30	40987	Mast, 57-13/16 x 15	Consult
35	88956	Junction box, four channel	Consult
36	21938	Flat washer, 3/8	Consult
37	15159	Lock washer, 3/8	Consult
38	14656	Hex nut, 3/8-16NC	Consult
39	41108	Dampener strip, ramp stop	Consult
40	14908	Cap screw, 10-32NF x 3/4	Consult
41	41254	Cap screw, 3/8-16NC x 6	Consult
43	15410	Bubble level	Consult
46	44149	Bumper cushion, self-adhesive	Consult
50	15176	Nylon washer, 5/8	Consult
51	46259	Column back plate	Consult
52	14932	Cap screw, 10-32NF x 3/8	Consult
53	47726	Base shim, all corners	Consult

(See Diagram DeckHand Mild Steel)

FLOOR SCALES
DeckHand Portable Scale
 Mild Steel

Floor Scales



VIEW B-B

DeckHand Mild Steel