

DeckHand Portable Scale

Stainless Steel

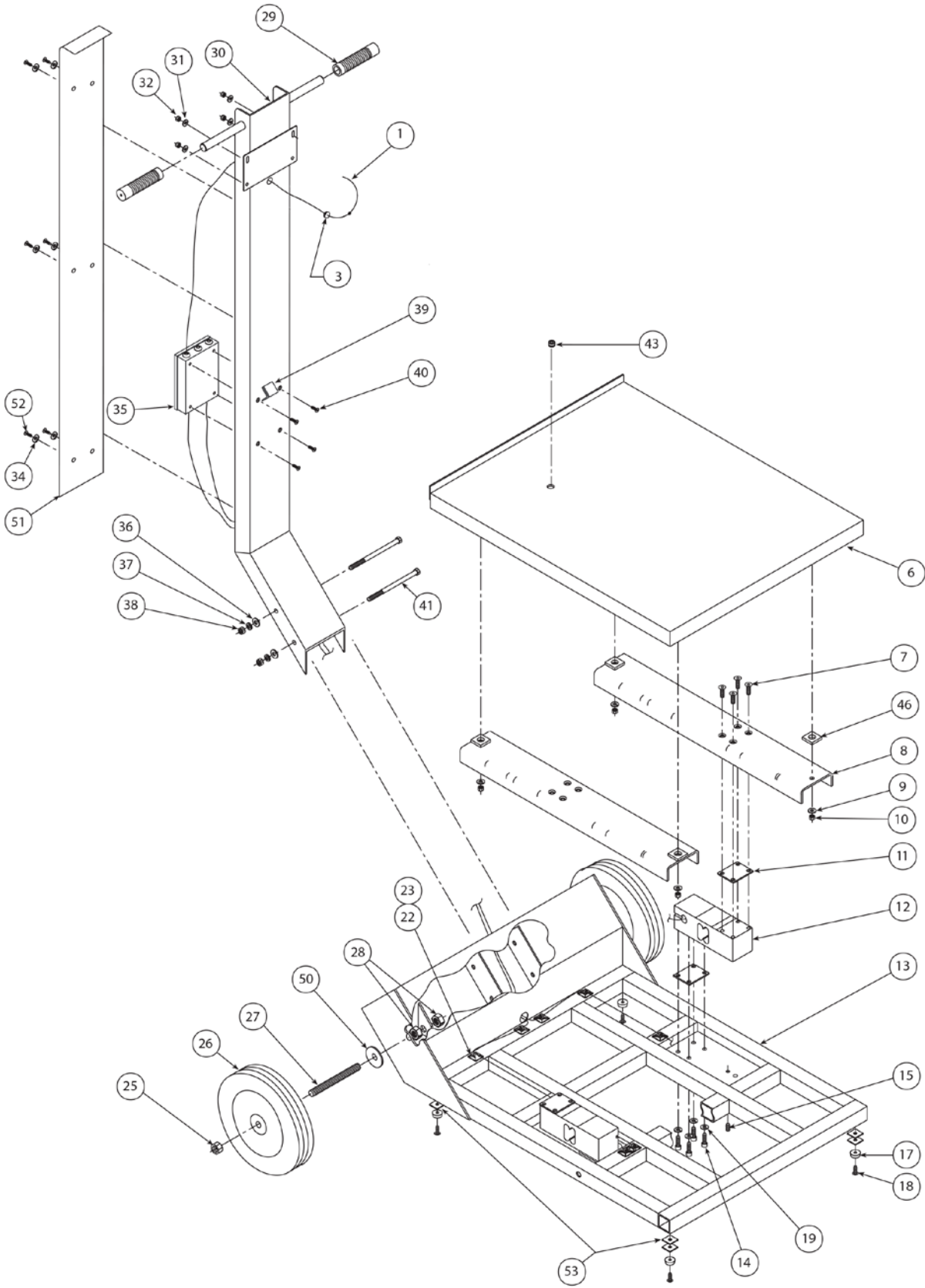


Part Number/Price

Ref#	Part#	Description	Price
1	44187	Cable, 6-conductor, 3 1/2 ft	Consult
3	15377	Grommet, rubber 1/2 x 1/4	Consult
6	41181	Upper platter (DH-500, DH-1000)	Consult
	42655	Upper platter (DH-2000)	Consult
7	41250	Cap screw, 5/16-18 NC x 1	Consult
8	41197	Load cell channels (DH-500)	Consult
	42665	Load cell channels (DH-1000)	Consult
	42653	Load cell channels (DH-2000)	Consult
9	44237	Flat washer, 5/16	Consult
10	35170	Lock nut, 5/16-18 NC, hex	Consult
11	41198	Shim, load cell	Consult
12	41024	Load cell, RL1260 - 500 lb scale	Consult
12	41026	Load cell, RL1260 - 1,000 lb scale	Consult
12	41027	Load cell, RL1260 - 2,000 lb scale	Consult
13	41178	Base platform (DH-500, DH-1000)	Consult
	42617	Base platform (DH-2000)	Consult
14	26670	Cap screws, 5/16-18NC x 1	Consult
15	21933	Overload stop set screw, 5/16 x 18NC x 1/2	Consult
16	41199	Base shim, ramp end	Consult
17	41267	Scale base bumper, 3/4	Consult
18	41251	Cap screw, 1/4-20NC x 3/4	Consult
19	15154	Lock washer, 5/16	Consult
22	15658	Cable tie mount	Consult
23	15631	Cable tie, 3"	Consult
25	41249	Lock nut, 5/8-11NC	Consult
26	41268	Wheel, 10 dia. x 5/8 bore	Consult
27	41200	Axle, 5/8-11 x 6	Consult
28	14680	Jam nut, 5/8-11NC	Consult
29	41266	Handle grip, 3/4 I.D.	Consult
30	41182	Mast, 57-13/16 x 15	Consult
35	88956	Junction box, four channel	Consult
36	15161	Flat washer, 3/8	Consult
37	15160	Lock washer, 3/8	Consult
38	14655	Hex nut, 3/8-16NC	Consult
39	41108	Dampener strip, ramp stop	Consult
40	41253	Cap screw, 10-32NF x 3/4	Consult
41	41257	Cap screw, 3/8-16NC x 6	Consult
43	15410	Bubble level	Consult
46	44149	Bumper cushion, self-adhesive	Consult
50	15176	Nylon washer, 5/8	Consult
51	46260	Column back plate	Consult
52	46337	Cap screw, 10-32NF x 3/8	Consult
53	47727	Base shim, all corners	Consult

(See Diagram DeckHand Stainless Steel)

FLOOR SCALES
DeckHand Portable Scale
 Stainless Steel



Floor Scales

DeckHand Stainless Steel