



Part Number/Price

Part #	Description	Price
21161	EL168 one-cell junction box	Consult

Standard Features

- Non-metallic PVC enclosure with separate input and output cable fittings
- No soldering, compression or swaged fittings are required

Applications

- For splicing or extending load cell cable

Specifications

Dimensions:

(L × W × H)
4.0 × 4.0 × 2.5 in

Temperature:

Operating:
0 °F to 122 °F (-18 °C to 50 °C)

Cable Fittings:

Nylon waterproof strain-relief type

Cable Diameter:

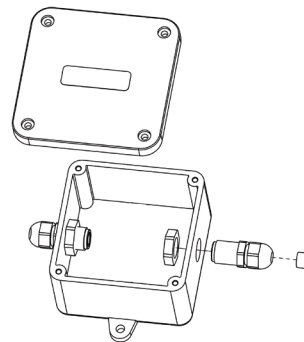
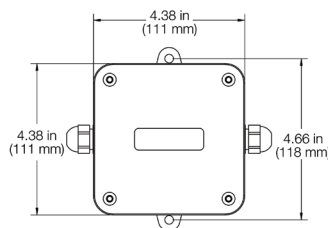
0.079 to 0.314 in (2 to 8 mm)

Terminal Block:

Rated 300 V/15 A; seven-position, screw terminal can each accommodate up to #16 AWG

Warranty:

One-year limited



TP75 DC

Transient Protection



Standard Features

- Protects load cells and indicators from voltage transients
- Avalanche diode design
- Full six-wire with shield protection
- NEMA Type 4X enclosure
- Unlimited number of parallel load cells; up to eight in series
- Terminal lugs provided

Applications

- Tank, bin and hopper scales
- Truck and railroad scales
- Suitable for outdoor use

Part Number/Price

Part #	Description	Price
33185	TP75 DC transient protection	Consult

Options/Accessories

Part #	Description	Price
31164	Circuit board only	Consult

Specifications

Protection Type:

Six-wire type with separate shield

Maximum Excitation Voltage:

22.8 VDC

Response Time:

Five nanoseconds

Peak Surge Currents:

100 amps

Grounding:

10 AWG wire or larger (not provided)

Cable Fitting:

(2) Nylon strain relief for 0.187 to 0.312 in diameter cable

Enclosure:

Impact-resistant polycarbonate NEMA Type 4X, maximum 40 psi washdown

Temperature:

Operating:
-4 °F to 149 °F (-20 °C to 65 °C)

Dimensions:

(L × W × H)
3.16 × 2.20 × 1.18 in

Warranty:

One-year limited