

ELS Series

Elevated Load Cell Stands



Mild Steel ELS

Standard Features

- Adjustable height and width in 1-inch increments
- Mild or stainless steel frame
- Individual load cell overload protection
- Jack bolts in leveling feet for easy conveyor height alignment
- Kit includes: two stands, load cells, junction box, two adjustable stabilizing braces, leveling shims and hardware

Options

- Indicator stand – mild or stainless steel
- Additional single ELS weigh stand
- Additional stabilizing brace kit
- *Rollers and conveyors are not included and are from other manufacturers

Specifications

Load Cell:

Four RL32018 or RL32018S single-ended beam: 250 lb, 500 lb and 1,000 lb capacity

Cable Length:

25 ft

Warranty:

Two-year limited

Approvals:

Load cells are FM approved

Part Number/Price

Part #	Length	Width	Height	Price
Mild Steel - Overall Product Dimensions				
ELS-250 Kit (Load Rating 500 lbs)				
212655	30 to 60 in	22 to 28 in	22 to 28 in	Consult
212656	30 to 60 in	22 to 28 in	29 to 36 in	Consult
212659	30 to 60 in	29 to 40 in	22 to 28 in	Consult
212660	30 to 60 in	29 to 40 in	29 to 36 in	Consult
212957	30 to 60 in	41 to 58 in	22 to 28 in	Consult
212958	30 to 60 in	41 to 58 in	29 to 36 in	Consult
ELS-500 Kit (Load Rating 1,000 lbs)				
212661	30 to 60 in	22 to 28 in	22 to 28 in	Consult
212662	30 to 60 in	22 to 28 in	29 to 36 in	Consult
212663	30 to 60 in	29 to 40 in	22 to 28 in	Consult
212665	30 to 60 in	29 to 40 in	29 to 36 in	Consult
212953	30 to 60 in	41 to 58 in	22 to 28 in	Consult
212954	30 to 60 in	41 to 58 in	29 to 36 in	Consult
ELS-1000 Kit (Load Rating 2,000 lbs)				
212666	30 to 60 in	22 to 28 in	22 to 28 in	Consult
212667	30 to 60 in	22 to 28 in	29 to 36 in	Consult
212669	30 to 60 in	29 to 40 in	22 to 28 in	Consult
212670	30 to 60 in	29 to 40 in	29 to 36 in	Consult
212949	30 to 60 in	41 to 58 in	22 to 28 in	Consult
212950	30 to 60 in	41 to 58 in	29 to 36 in	Consult
Stainless Steel				
ELS-250 Kit (Load Rating 500 lbs)				
213276	30 to 60 in	22 to 28 in	22 to 28 in	Consult
213278	30 to 60 in	22 to 28 in	29 to 36 in	Consult
213280	30 to 60 in	29 to 40 in	22 to 28 in	Consult
213282	30 to 60 in	29 to 40 in	29 to 36 in	Consult
213283	30 to 60 in	41 to 58 in	22 to 28 in	Consult
213284	30 to 60 in	41 to 58 in	29 to 36 in	Consult
ELS-500 Kit (Load Rating 1,000 lbs)				
213292	30 to 60 in	22 to 28 in	22 to 28 in	Consult
213293	30 to 60 in	22 to 28 in	29 to 36 in	Consult
213294	30 to 60 in	29 to 40 in	22 to 28 in	Consult
213295	30 to 60 in	29 to 40 in	29 to 36 in	Consult
213296	30 to 60 in	41 to 58 in	22 to 28 in	Consult
213297	30 to 60 in	41 to 58 in	29 to 36 in	Consult
ELS-1000 Kit (Load Rating 2,000 lbs)				
213304	30 to 60 in	22 to 28 in	22 to 28 in	Consult
213305	30 to 60 in	22 to 28 in	29 to 36 in	Consult
213306	30 to 60 in	29 to 40 in	22 to 28 in	Consult
213307	30 to 60 in	29 to 40 in	29 to 36 in	Consult
213308	30 to 60 in	41 to 58 in	22 to 28 in	Consult
213309	30 to 60 in	41 to 58 in	29 to 36 in	Consult

NOTE: Height is the floor to top mounting plate measurement
Width and Height adjustable in 1 inch increments

IN-MOTION
WEIGHING

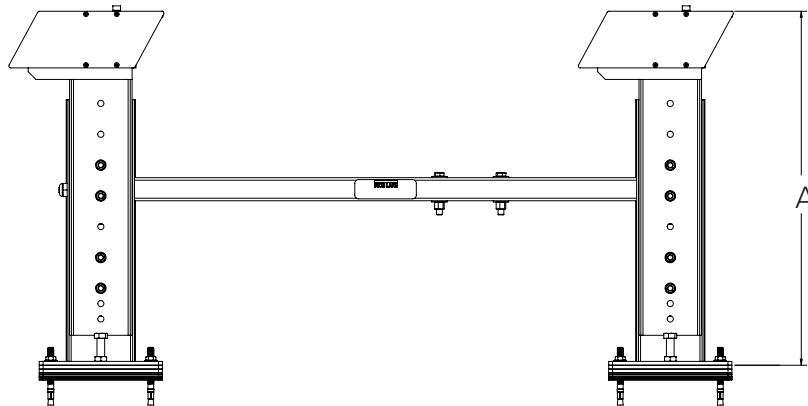
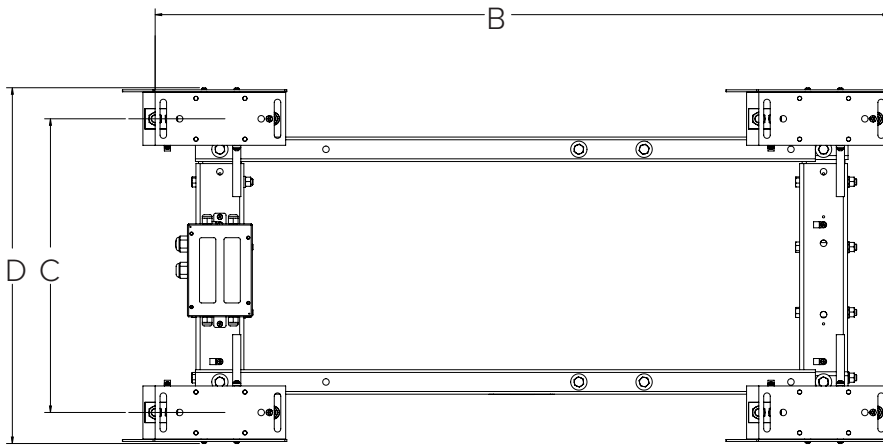
Options/Accessories

Part #	Description	Price
19352	Indicator floor stand mild steel, 36.3 in high	Consult
28740	Indicator floor stand SST, 36.3 in high	Consult
Consult	Single ELS weigh stand	Consult
213229	Additional stabilizing brace kit mild steel	Consult
213316	Additional stabilizing brace kit stainless steel	Consult

Dimensions

	Kit Variation	Minimum Dimension	Maximum Dimension
A	Small	22 in (55.88 cm)	28 in (71.12 cm)
	Large	29 in (73.66 cm)	36 in (91.44 cm)
B	All	30 in (76.20 cm)	60 in (152.40 cm)
C	Small	17 in (43.18 cm)	24 in (60.96 cm)
	Large	37 in (93.98 cm)	54 in (137.16 cm)
D	Small	22 in (55.88 cm)	28 in (71.12 cm)
	Medium	29 in (73.66 cm)	40 in (101.60 cm)
	Large	41 in (104.14 cm)	58 in (147.32 cm)

Dimensions A, C and D are adjustable in one inch increments



IN-MOTION
WEIGHING