

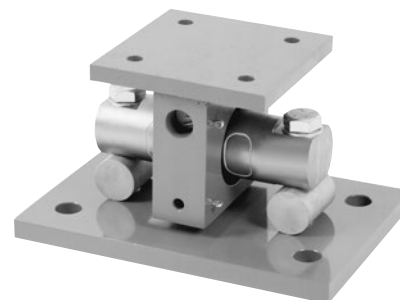
EZ Mount 1 Tank-mounting Assembly

Stainless Steel

Part Number/Price

Ref#	Part#	Description	Price
	25710	Installation manual	Consult
Rated Capacity: 5,000 lb - 20,000 lb			
1	18376	Top-plate loading bracket	Consult
2	14774	Load cell bolt	Consult
3	15178	Washer	Consult
4	30431	Load cell, RL70000SS - 5,000 lb	Consult
	30432	Load cell, RL70000SS - 10,000 lb	Consult
	30433	Load cell, RL70000SS - 20,000 lb	Consult
	118462	Load cell, RL72010MH - 5,000 lb	Consult
	118463	Load cell, RL72010MH - 10,000 lb	Consult
	118464	Load cell, RL72010MH - 20,000 lb	Consult
	17328	Load cell, RTI 9103 - 5,000 lb	Consult
	17329	Load cell, RTI 9103 - 10,000 lb	Consult
	17330	Load cell, RTI 9103 - 20,000 lb	Consult
5	18267	Load bearing pin	Consult
6	18370	Base plate	Consult
7	18270	Load pin	Consult
8	18373	Locating pin	Consult
9	15230	Cotter pin	Consult
Rated Capacity: 30,000 lb - 60,000 lb			
1	18377	Top-plate loading bracket	Consult
2	14796	Load cell bolt	Consult
3	15187	Washer	Consult
4	30434	Load cell, RL70000SS - 30,000 lb	Consult
	30435	Load cell, RL70000SS - 40,000 lb	Consult
	30436	Load cell, RL70000SS - 50,000 lb	Consult
	30437	Load cell, RL70000SS - 60,000 lb	Consult
	118465	Load cell, RL72010MH - 30,000 lb	Consult
	118466	Load cell, RL72010MH - 40,000 lb	Consult
	118467	Load cell, RL72010MH - 50,000 lb	Consult
	118468	Load cell, RL72010MH - 60,000 lb	Consult
	17333	Load cell, RTI 9103 - 50,000 lb	Consult
	17334	Load cell, RTI 9103 - 60,000 lb	Consult
5	18268	Load bearing pin	Consult
6	18371	Base plate	Consult
7	18271	Load pin	Consult
8	18374	Locating pin	Consult
9	15252	Cotter pin	Consult
Rated Capacity: 100,000 lb and 150,000 lb			
1	18378	Top-plate loading bracket, 100,000 lb	Consult
	29013	Top-plate loading bracket, 150,000 lb	Consult
2	14798	Load cell bolt	Consult
3	15187	Washer	Consult
4	30444	Load cell, RL70000SS - 100,000 lb	Consult
	30445	Load cell, RL70000SS - 150,000 lb	Consult
	17335	Load cell, RTI 9103 - 100,000 lb	Consult
	17336	Load cell, RTI 9103 - 150,000 lb	Consult
5	18269	Load bearing pin	Consult
6	18372	Base plate	Consult
7	18272	Load pin	Consult
8	18375	Locating pin	Consult
9	15258	Cotter pin	Consult

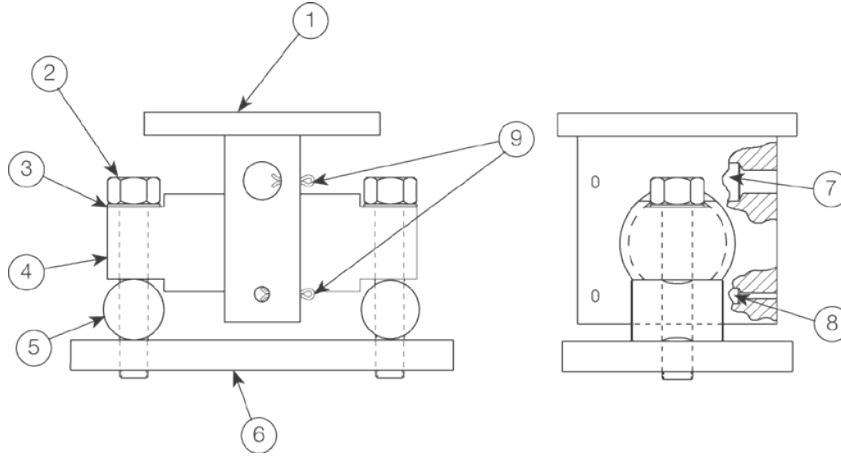
(See Diagram EZ Mount 1-A)



WEIGH MODULES

EZ Mount 1 Tank-mounting Assembly

Mild/Stainless Steel



EZ Mount 1-A