

RC1

Stainless Steel, Hermetically Sealed, NTEP Certified 1:10,000 Multiple Cell, OIML C3, IP68



Picture is a representation of actual product.

Approvals



Order Information

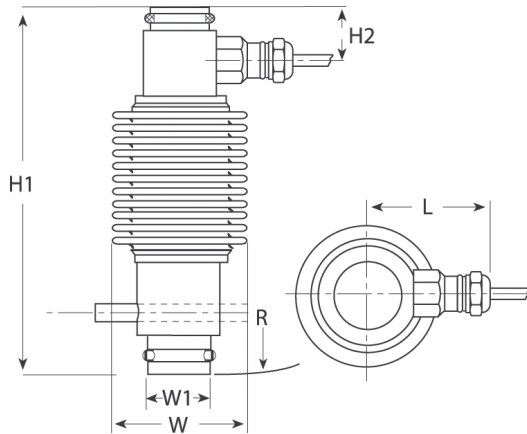
| Load Rating | Part # | Est. Weight | Price |
|------------------------------|---------------|-------------|---------|
| 25 t (250 kN)* | 36217 | 8 lb | Consult |
| 40 t (400 kN) | 36218 | 10 lb | Consult |
| 50,000 lb** | 170734 | 8 lb | Consult |
| Accessories | | | |
| Conduit adapter, 1/2-14 NPT | 17703 | 1 lb | Consult |
| Load cup*, upper (25 t only) | 71602 | - | Consult |
| Load cup*, lower (25 t only) | 44290 | - | Consult |
| Anti-rotation pin | 214044 | - | Consult |

*For Mettler Toledo® digital to analog conversion: requires replacement of all system load cells, junction box and instrumentation; consult factory. Kit on page 81.

**1,000ohm bridge

Dimensions

| Rated Capacity | H1 | H2 | L | R | W | W1 |
|----------------|------|------|------|-------|------|------|
| t/in | | | | | | |
| 25 | 7.56 | 1.22 | 2.44 | 10.98 | 2.83 | 1.46 |
| 40 | 8.86 | 1.34 | 2.72 | 14.02 | 3.35 | 1.46 |
| 50,000 lb | 7.56 | 1.22 | 2.44 | 10.98 | 2.83 | 1.46 |



Interchangeable Products

FAIRBANKS®
63215 LCF-HR4020-1
FAIRBANKS®
82052

Specifications

Full Scale Output:

2.0 mV/V
mV/V/ohm calibration

Output Resistance:

351 (± 1) ohm
50,000 lb: 1,000 (± 2) ohm

Input Resistance:

400 (± 15) ohm
50,000 lb: 1,100 (± 50) ohm

Material/Finish:

Stainless steel

Temperature:

Compensated:
14 °F to 104 °F (-10 °C to 40 °C)
Operating:
0 °F to 150 °F (-18 °C to 65 °C)

Seal Type:

Hermetically sealed, IP68

Safe Overload:

200% full scale

Safe Sideload:

100% full scale

Rated Excitation:

5 to 15 VDC

Combined Error:

± 0.02% full scale

Insulation Resistance:

5,000 megohm

Cable Length:

25 t (250 kN): 35 ft
40 t (400 kN): 60 ft
50,000 lb: 15 ft overbraid

Cable Diameter:

0.196 in
Polyurethane jacket

Cable Color Code:

Green +Excitation
Black -Excitation
White +Signal
Red -Signal
Yellow Shield

Warranty:

One-year limited

Approvals:

FM
NTEP
OIML