



Picture is a representation of actual product.

Approvals



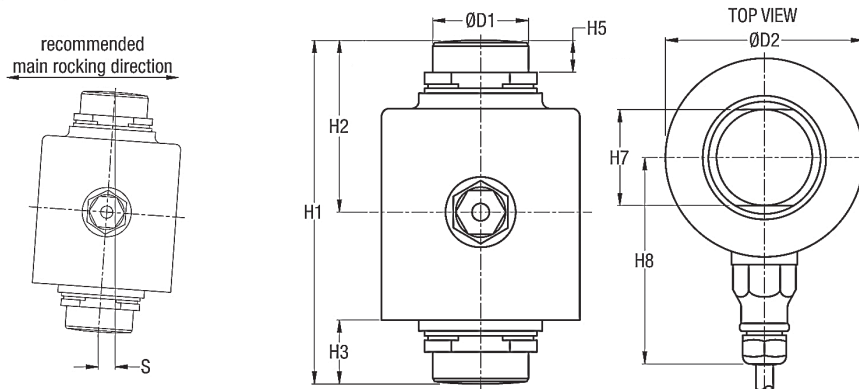
Order Information

Load Rating	Part #	Est. Weight	Price
7.5 t	168944	3 lb	Consult
15 t	168946	3 lb	Consult
22.5 t	168947	3 lb	Consult
30 t	84203	7 lb	Consult
40 t	84204	9 lb	Consult
50 t	84205	10 lb	Consult
Options			
Upper cup (50 t) alloy steel	111365	5 lb	Consult
Lower cup (50 t) alloy steel	111366	5 lb	Consult
Upper cup (50 t) stainless steel	154107	5 lb	Consult
Lower cup (50 t) stainless steel	154106	5 lb	Consult

The kits for the RC3 cells are on page 82. Cups 111365 and 111366 are used in kits 129844 and 111367. Cups 154107 and 154106 are used in kits 154347, 154348 and 154349.

Dimensions

Rated Capacity	H1	H2	H3	H5	H7	H8	D1	D2
t/in								
7.5 to 22.5	3.50	1.73	0.67	0.43	1.10	2.95	1.10	2.56
30	5.51	2.76	1.20	0.51	1.55	3.31	1.55	3.19
40	5.91	2.95	1.22	0.51	1.55	3.31	1.55	3.19
50	7.01	3.50	1.26	0.67	1.73	3.71	1.73	3.90



Interchangeable Products

FAIRBANKS®
30 t 70510 LCF-HR4020-2A

Specifications

Full Scale Output:

2.0 mV/V
mV/V/ohm calibration

Output Resistance:

1,000 (± 2) ohm

Input Resistance:

1,150 (± 50) ohm

Material/Finish:

Stainless steel

Temperature:

Compensated:
14 °F to 104 °F (-10 °C to 40 °C)
Operating:
0 °F to 150 °F (-18 °C to 65 °C)

Seal Type:

Hermetically sealed, IP69K

Safe Overload:

200% full scale

Safe Sideload:

200% full scale

Rated Excitation:

5 to 15 VDC

Combined Error:

0.02% full scale

Insulation Resistance:

5,000 megohm

Cable Length:

7.5 to 22.5 t: 40 ft
30 to 50 t: 18 m

Cable Diameter:

0.307 in
Polyurethane jacket

Cable Color Code:

Green +Excitation
Black -Excitation
White +Signal
Red -Signal
Yellow Shield

Warranty:

One-year limited

Approvals:

FM
NTEP
OIML

FLINTEC®