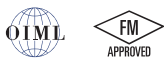




Picture is a representation of actual product.

Approvals



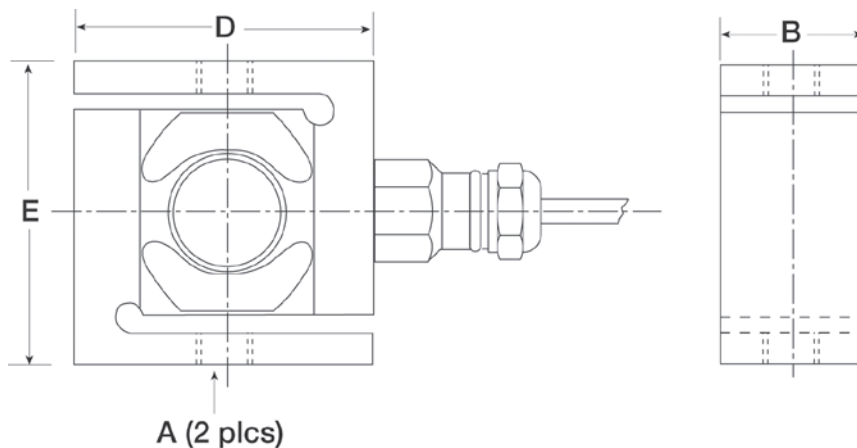
Order Information

Load Rating	Part #	Est. Weight	Price
1 kN	36214	3lb	Consult
2 kN	36215	3lb	Consult
5 kN	36216	3lb	Consult

Dimensions

Rated Capacity kN/in	A*	B	D	E
1 to 5	1/2-20 UNF	1.20	2.42	2.42

*Also available with metric threads



Specifications

- Full Scale Output:**
2.0 mV/V
mV/V/ohm calibration
- Output Resistance:**
1,000 (± 2) ohm
- Input Resistance:**
1,100 (± 50) ohm
- Material/Finish:**
Stainless steel
- Temperature:**
Operating range
0 °F to 150 °F (-18 °C to 65 °C)
- Seal Type:**
Hermetically sealed, IP69K
- Safe Overload:**
200% full scale
- Rated Excitation:**
5 to 10 VDC (15 V maximum)
- Combined Error:**
0.02% full scale
- Insulation Resistance:**
5,000 megohm
- Cable Length:**
20 ft
- Cable Diameter:**
0.196 in
Polyurethane jacket
- Cable Color Code:**
Green +Excitation
Black -Excitation
White +Signal
Red -Signal
Yellow Shield
- Warranty:**
One-year limited
- Approvals:**
FM
OIML

