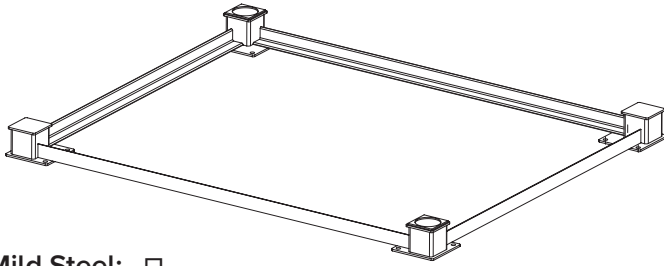


Floor Scale Pit Mounted Riser Stand

Please complete and email this form to orderdesk@ricelake.com for pricing.

Standard Features

- Ideal for applications with an existing pit and the depth exceeds standard pit depth for the scale
- Designed to be anchored to pit floor (anchor bolts not included)

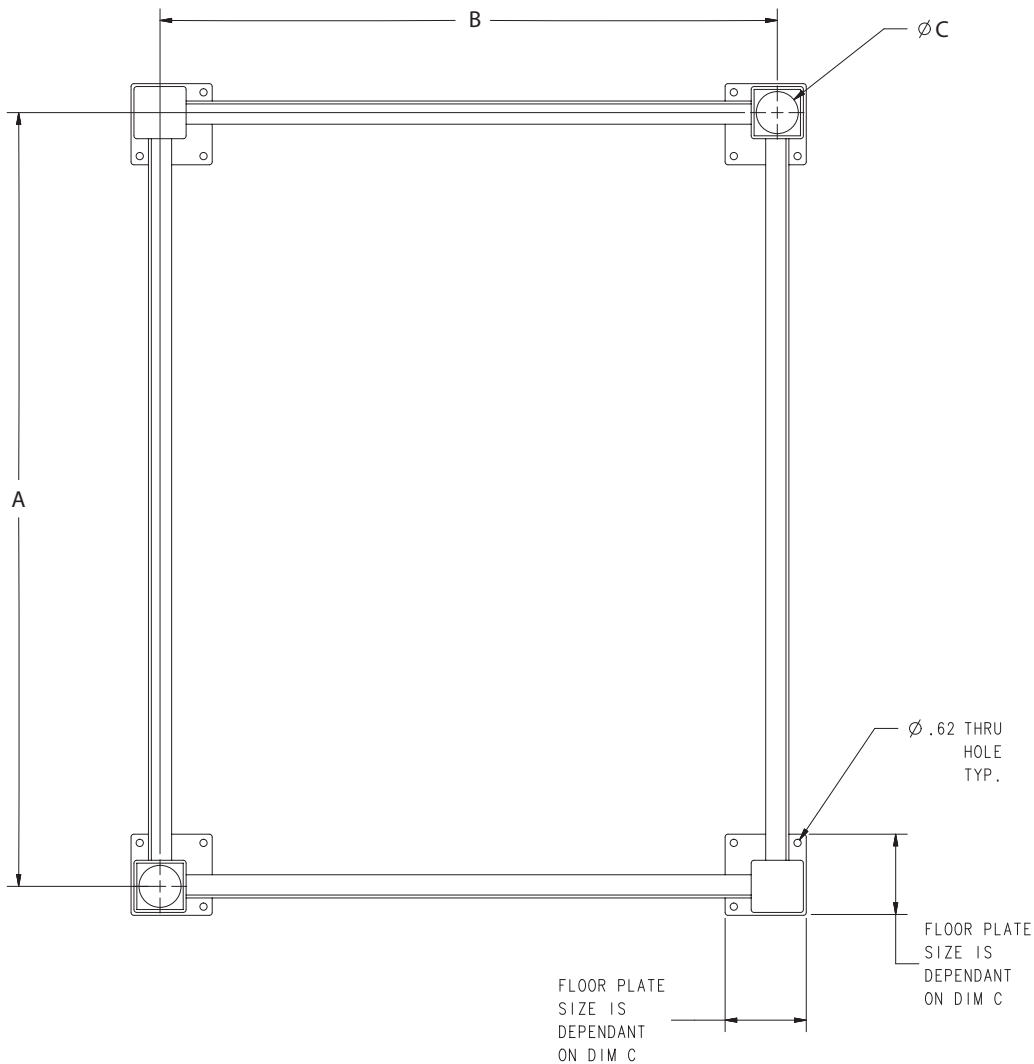
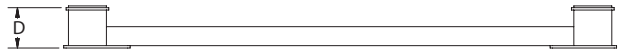


Painted Mild Steel:

Stainless Steel:

Scale Capacity: _____

A	
B	
C	
D	



FLOOR SCALES