

# Grounding Strap



## Standard Features

- Used in the ITCM assembly
- Tinned copper braid
- Crimped sleeve on ends with 0.25 in hole
- Available in 12 in, 14 in, 16 in, 24 in or 32 in lengths

## Part Number/Price

Part #	Length	Price
17778	12 in	Consult
17779	14 in	Consult
17780	16 in	Consult
17781	24 in	Consult
17782	32 in	Consult

# Ball Bearings



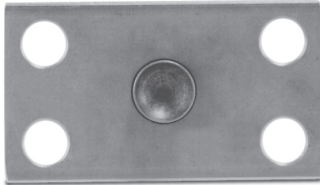
## Standard Features

- Use with load cup and load receiver to build a custom scale
- 52100 chrome alloy steel

## Part Number/Price

Part #	Drawing Dimensions	Price
18815	5/8 in diameter crush strength 32,000 lb	Consult
18816	7/8 in diameter crush strength 59,000 lb	Consult
65841	1.25 in diameter crush strength 100,000 lb	Consult

# Load Receiver Plate

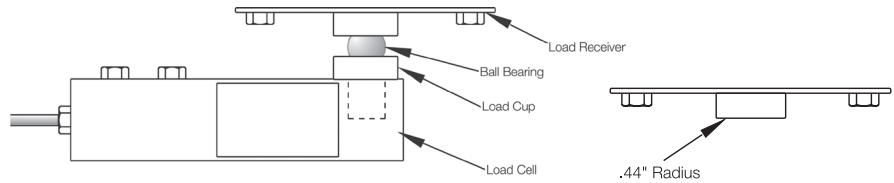
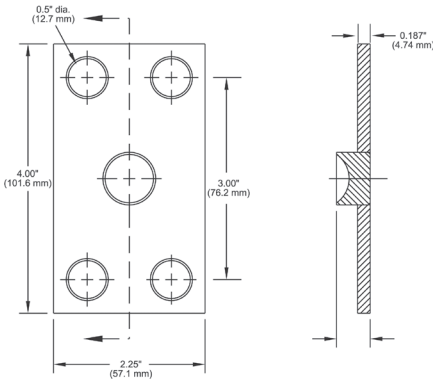


## Standard Features

- Design offers accurate point loading
- Self-centering effect built in
- Use with load cup and ball bearings to build a custom scale
- Ball and cup load introduction provides point loading for maximum accuracy
- Stainless steel construction

## Part Number/Price

Part #	Description	Price
18832	Load receiver plate	Consult



HARDWARE AND ACCESSORIES

# Load Cups

## Standard Features

- Ball and cup load introduction provides point loading for maximum accuracy
- For use with most popular single-ended beam load cells
- Constructed of 440C stainless steel

## Part Number/Price

Part #	A	B	C	D	Price
31911	1.70 in	0.54 in	1.07 in	1/2-20 UNF	Consult
212364	1.70 in	0.54 in	1.07 in	M8	Consult
33654	1.12 in	0.54 in	0.78 in	1/2-20 UNF	Consult
33653	1.50 in	0.80 in	1.12 in	3/4-16 UNF	Consult
33652	2.00 in	0.85 in	1.75 in	1-12 UNF	Consult
33651	2.85 in	0.85 in	1.75 in	1-12 UNF	Consult
33650	2.85 in	0.85 in	1.75 in	1-14 UNF	Consult
33647	2.75 in	0.50 in	0.75 in	1/2-20 UNF	Consult
72364	1.78 in	0.53 in	0.78 in	1/2-20 UNF	Consult
69431	Replacement cup for Cardinal® SCA-50,000 load cell				Consult

