

IL-2000SA

Cassette Unit



Part Number/Price

Ref#	Part#	Description	Price
1	Consult	Main body, printer cassette 63-8272-21	Consult
2	Consult	Cover, gear 63-8270-23	Consult
3	Consult	Holder, guide, label 63-8267-21	Consult
4	Consult	Lever, guide, label 63-8414-22	Consult
5	Consult	Plate B, printing roller 64-0134-19	Consult
6	Consult	Frame, printing, L 64-0136-34	Consult
7	Consult	Plate AS, peeling shaft 64-0062-23	Consult
8	93355	Bush, print roller 64-0201-24	Consult
9	93339	Roller, print 64-0202-37	Consult
10	93341	Gear, flat small 63-8269-29	Consult
11	93340	Gear, flat large 63-8268-25	Consult
12	100519	Guide label 63-8271-18	Consult
13	Consult	Block B, prism 63-8261-20	Consult
14	Consult	Bracket, prism 63-8262-05	Consult
15	93342	Bush 64-0058-19	Consult
16	Consult	Bearing, radial 00-3727-05	Consult
17	Consult	Shaft, step, winding 64-0175-21	Consult
18	Consult	Spring pin 34-0034-03	Consult
19	101104	Bobbin, winding 64-0176-24	Consult
20	Consult	Cover, winding 64-0174-27	Consult
21	101105	Holder, winding, stopper 64-0189-22	Consult
22	Consult	Spring, coil, compressive 64-0192-06	Consult
23	116740	Torque limiter, (Includes flat gear medium) 65-1663-04	Consult
24	Consult	Cassette decal "1" 65-1664-26	Consult
—	93235	Cassette decals "2-7" 65-1755-21	Consult
25	46986	E-ring, 3 mm 00-0287-02	Consult
26	46984	E-ring, 4 mm 00-0288-06	Consult
27	46977	E-ring, 6 mm 00-0296-04	Consult
28	Consult	TP tapping screw 00-0436-01	Consult
29	Consult	Tapping screw, cross bind 65-1665-01	Consult
30	Consult	Nameplate, label threading 66-1810-02	Consult
ASSY	87514	Label cassette, complete assembly	Consult

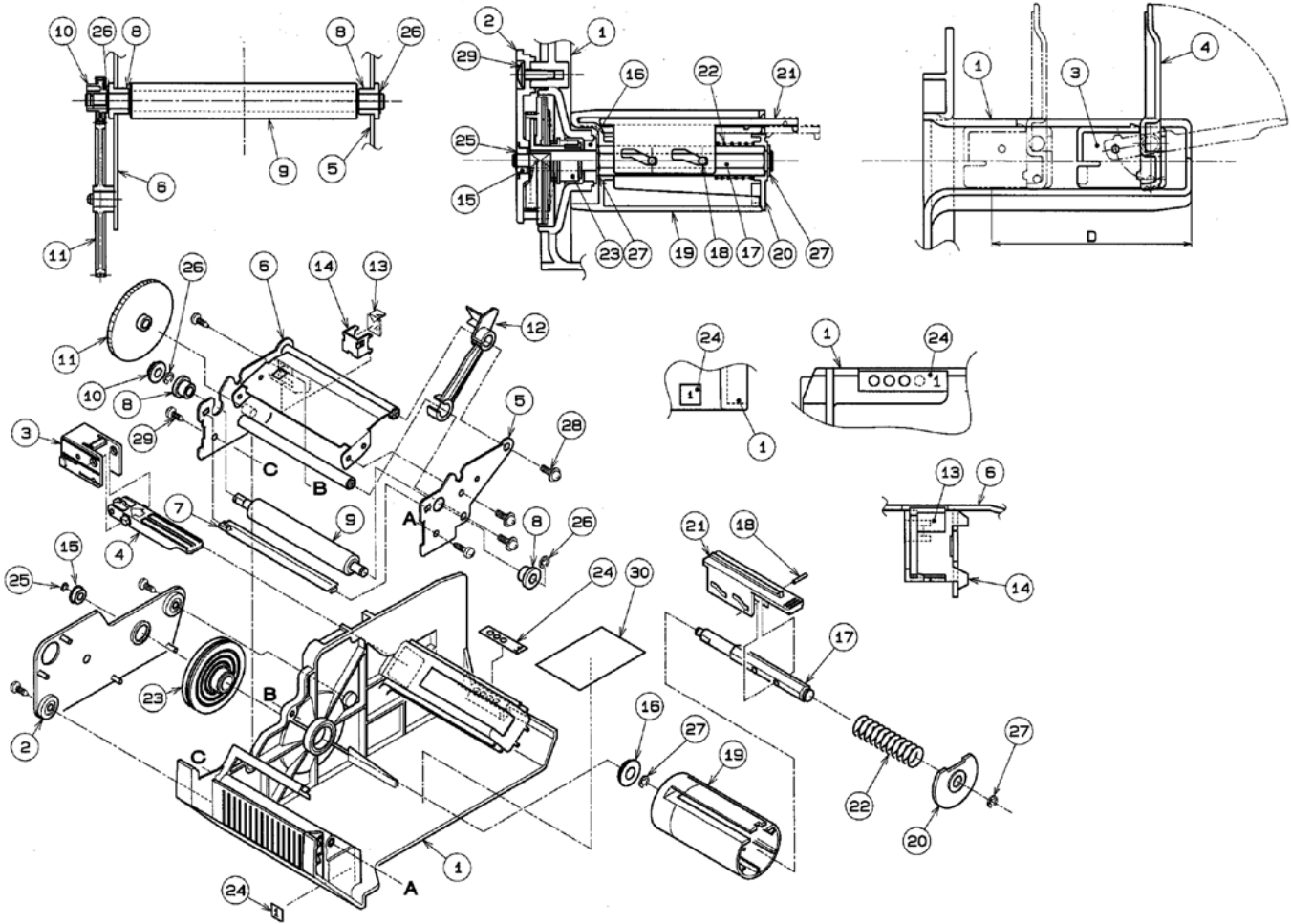
(Diagram IL-2000SA-D)

Parts not listed are no longer available. Some parts listed may not be available.

An ISO 9001 registered company ©2021 Rice Lake Weighing Systems 09/21 Prices and specifications subject to change without notice. Visit ricelake.com for current prices.

IL-2000SA

Cassette Unit



IL-2000SA-D