

# IL-2000SA

Display Unit



## Part Number/Price

Ref#	Part#	Description	Price
1	Consult	Case, controller, front 072-5481-14	Consult
2	Consult	Case AS, controller, rear 075-1379-05	Consult
3	Consult	Cover, volume, 070-3083-04	Consult
4	Consult	Frame, controller, 072-8623-26	Consult
5	Consult	Cover, controller, connector 072-8641-14	Consult
6	Consult	Sheet, display, 073-7077-17	Consult
8	Consult	Grommet, with diaphragm, 075-1378-01	Consult
9	Consult	PWB accessory, card spacer, 072-8771-06	Consult
10	Consult	PWB accessory, card spacer, 072-8772-00	Consult
11	Consult	Tapping screw, cross pan, P 072-8766-07	Consult
12	Consult	Tapping screw, cross truss, T2 050-2021-01	Consult
14	Consult	Screw, cross pan head, 002-5338-01	Consult
15	Consult	Screw, cross pan head, 072-8769-08	Consult
16	Consult	TP screw, 047-3842-08	Consult
17	48784	TP screw, M3-0.5x6	Consult
18	Consult	Nameplate, explanation, 118-7871-04	Consult
19	Consult	Sheet, insulation, LCD 075-1386-01	Consult
101	Consult	PWB, P-917A, display controller, 069-4753-70	Consult
102	Consult	Harness, S2, inverter 069-6728-28	Consult
103	Consult	Harness, C2, LCD1 072-5371-09	Consult
104	Consult	Harness, C2, LCD2 072-5372-11	Consult
105	Consult	Volume AS, 069-4800-26	Consult
106	Consult	Power supply, inverter, 070-3124-03	Consult
107	Consult	Display, LCD, 068-5288-07	Consult
108	Consult	Touch panel, analog, 100-8482-14	Consult

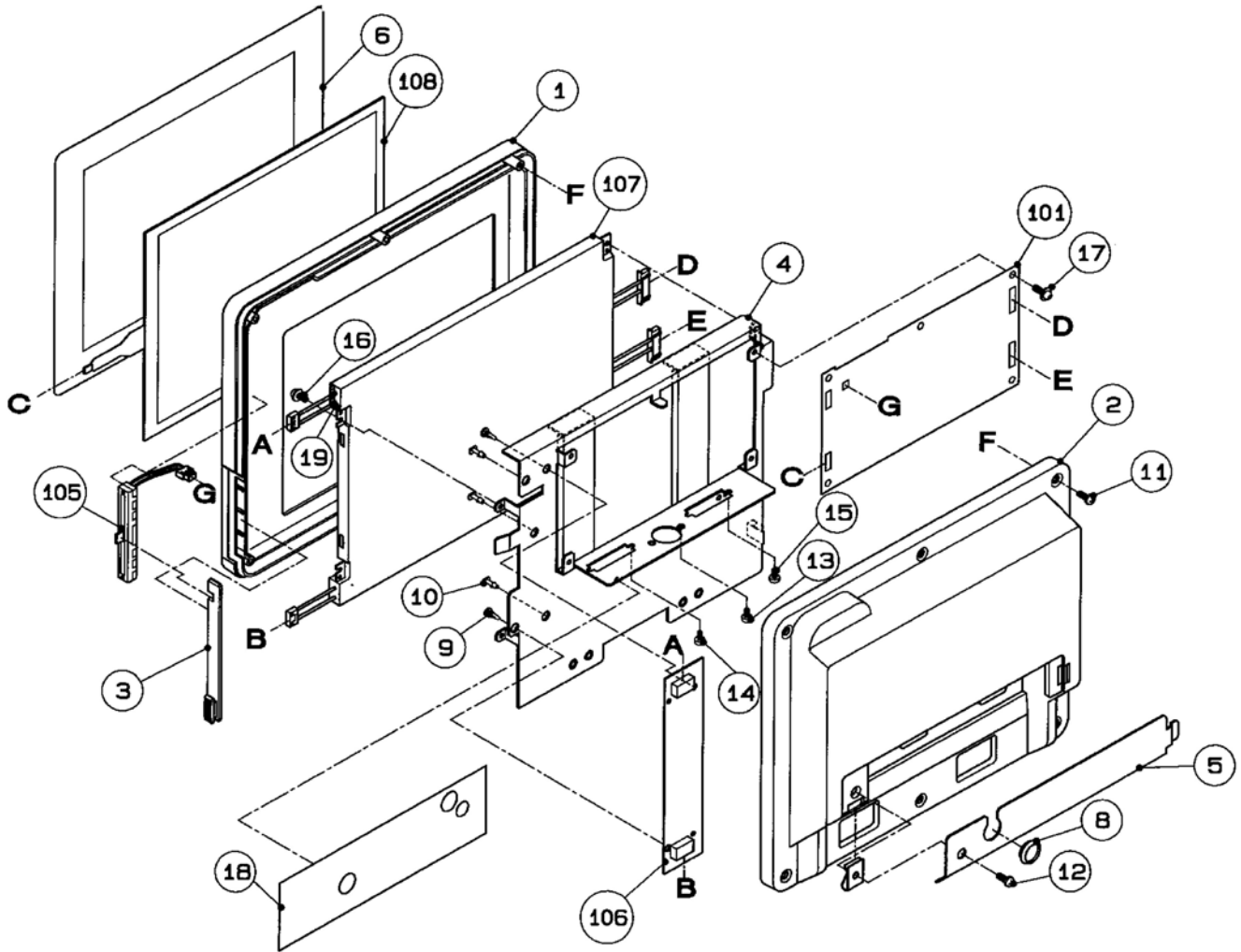
(Diagram IL-2000SA-B)

Parts not listed are no longer available. Some parts listed may not be available.

An ISO 9001 registered company ©2021 Rice Lake Weighing Systems 09/21 Prices and specifications subject to change without notice. Visit ricelake.com for current prices.

# IL-2000SA

Display Unit



IL-2000SA-B