

IL-2000SA

Main Unit



Part Number/Price

Ref#	Part#	Description	Price
1	Consult	Base, printer, 072-8585-19	Consult
2	Consult	Plate B, strengthen, 074-0518-14	Consult
3	Consult	Rubber pad, 001-4849-07	Consult
4	Consult	Bracket, connector, 115-1206-03	Consult
5	Consult	Accessory, bush, cable 123-2290-05	Consult
7	Consult	Plate B, 072-2448-38	Consult
8	193756	Grommet, with diaphragm, 075-1423-06	Consult
9	Consult	Grommet, with diaphragm, 075-1378-01	Consult
11	Consult	Frame AS, PWB, main 072-8756-28	Consult
13	Consult	Accessory, fastener, edge saddle 064-0355-06	Consult
14	Consult	PWB accessory, collar bush, 000-1845-04	Consult
15	45170	PWB accessory, collar bush	Consult
16	Consult	PWB accessory, card spacer, 000-1803-08	Consult
17	Consult	Bracket AS, PWB, 072-8752-32	Consult
18	Consult	Accessory, clamp, CKS clamp 001-3035-09	Consult
19	Consult	Accessory, spacer, 075-1410-08	Consult
20	Consult	Accessory, clamp, flat cable 065-1823-03	Consult
21	Consult	Accessory, clamp, nylon clamp 027-8515-00	Consult
22	Consult	Case, main body, upper 072-8547-17	Consult
23	200475	Tapping screw, bind, p tight 074-7340-05	Consult
24	Consult	Sheet, keyboard, 118-7870-01	Consult
25	42967	Cap	Consult
26	Consult	Bracket, display, right 072-8557-32	Consult
27	Consult	Bracket, display, left 072-8556-39	Consult
29	Consult	Print, torque, 072-8703-02	Consult
30	Consult	Cover, hinge 074-7031-22	Consult
31	Consult	Cover, slot, CF 079-8654-04	Consult
32	Consult	Plate B, PC, 066-1831-01	Consult
33	Consult	Cover, card, 071-4684-12	Consult
35	Consult	Seal, one side, 110-7850-17	Consult
36	Consult	Nameplate, 097-8992-07	Consult
37	Consult	Nameplate, explanation, 118-7932-08	Consult
38	Consult	Nameplate, explanation, 118-7869-06	Consult
39	Consult	Nameplate, specification, 118-7872-08	Consult
40	Consult	Tapping screw, cross truss, T2 037-2702-07	Consult
41	Consult	Screw, cross truss, 075-1421-09	Consult
42	47008	TP screw,	Consult
43	Consult	Screw, cross pan head, 000-0092-03	Consult
44	Consult	Screw M4 8 000-0313-06	Consult
45	Consult	Tapping screw, cross pan head, 000-0356-06	Consult
46	Consult	Screw, cross pan head, BWA S2P1, 003-2571-00	Consult
47	42714	TP tapping screw, T2	Consult
48	42736	TP tapping screw, T2	Consult
49	48239	TP screw M3x6	Consult
51	200473	TP tapping screw, T2, 019-8842-03	Consult
52	42711	Tapping screw, cross pan head, 002-6504-07	Consult
53	96327	Cover, printer,	Consult
55	189338	TP screw, 002-1938-01	Consult
101	Consult	PWB, P-910R, rev7 CPU board, 120-0340-18	Consult
102	87517	PWB, P-909D thermal print board	Consult
103	Consult	PWB, P-919A, display junction board, 069-4745-15	Consult
104	Consult	PWB, P-918A, comms junction board, 069-6884-17	Consult

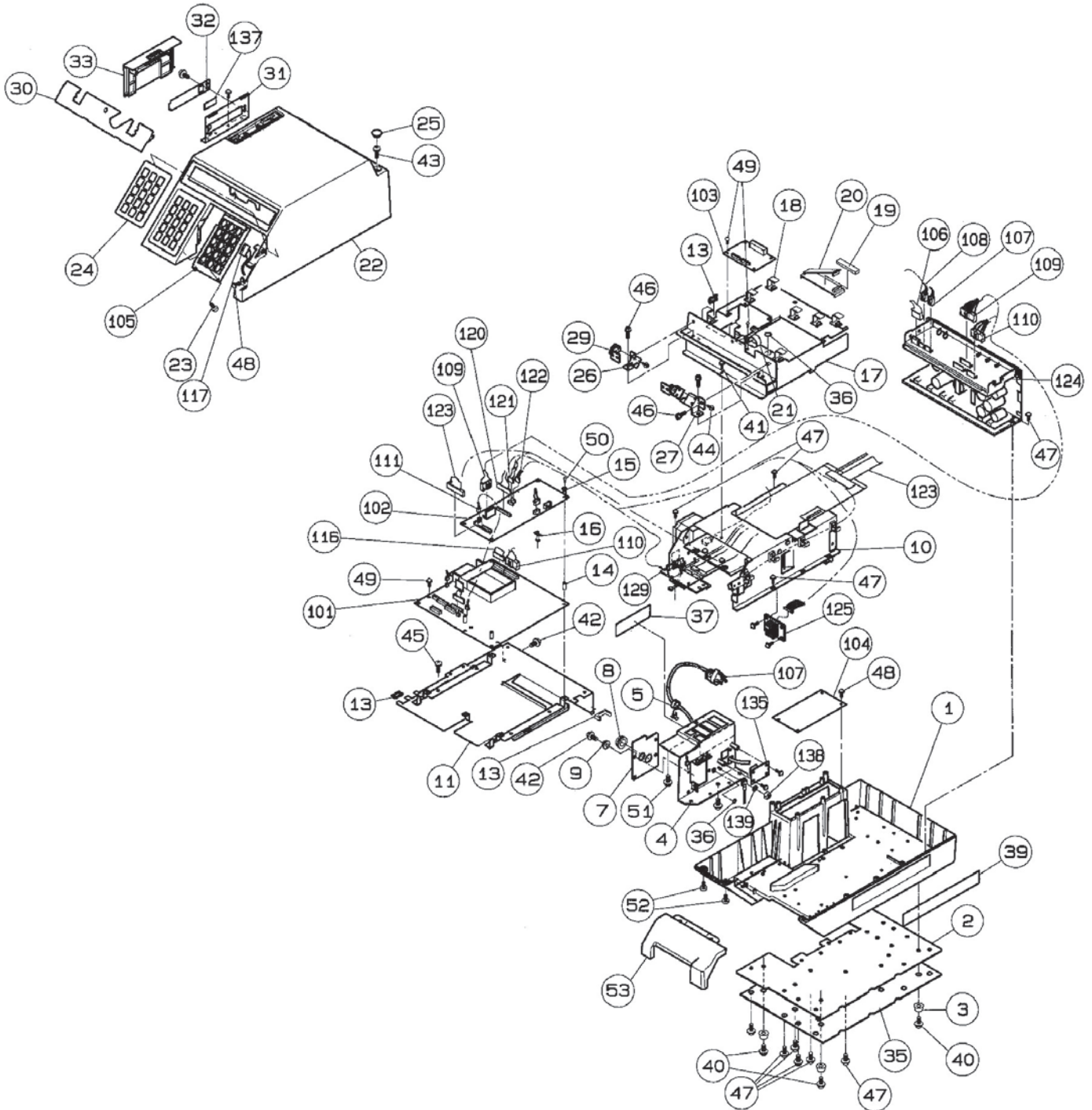
(Diagram IL-2000SA-A)

Parts not listed are no longer available. Some parts listed may not be available.

An ISO 9001 registered company ©2021 Rice Lake Weighing Systems 09/21 Prices and specifications subject to change without notice. Visit ricelake.com for current prices.

IL-2000SA

Main Unit



IL-2000SA-A

IL-2000SA

Main Unit



Part Number/Price

Ref#	Part#	Description	Price
105	185572	PWB, P-944, keyboard, 072-8611-03	Consult
106	Consult	Switch AS, seesaw, 115-1058-09	Consult
107	Consult	Harness, C3, PS 114-6567-18	Consult
108	Consult	Harness, S1, AC jumper 072-8992-02	Consult
109	Consult	Harness,S2, power 24V 072-8990-14	Consult
110	Consult	Harness, C3, PS DC 072-5237-49	Consult
111	Consult	Harness, S2, power junction 063-8454-12	Consult
112	Consult	Harness, C3, inverter junction 072-5373-15	Consult
113	Consult	Harness, S2, RS-232C 072-5370-14	Consult
114	Consult	Harness, S2, LCD1 072-5233-26	Consult
115	Consult	Harness, S2, LCD2 072-5232-22	Consult
116	Consult	Harness, C3, communication 072-5234-39	Consult
117	Consult	Harness, C2, key 072-8510-38	Consult
118	Consult	Harness, C2, drawer 072-5240-13	Consult
119	Consult	Harness, C2, drawer 072-8995-12	Consult
123	Consult	Harness S2 thermal head 072-8991-09	Consult
124	87521	Power supply, switching, 106-1434-04	Consult
129	108946	Printer, thermal, 068-0593-05	Consult
130	Consult	Connector, D sub, accessory 070-9748-09	Consult
131	Consult	Connector, D sub, accessory 070-9749-02	Consult
133	Consult	Harness, S2, ether 095-9479-01	Consult
134	186416	Filter, ferrite core, 074-0771-01	Consult
135	Consult	PWB: P-967, Ethernet junction board, 095-4469-06	Consult
137	Consult	Nameplate, explanation, 112-9937-00	Consult
138	48236	Hex nut, T1	Consult
139	42854	Spring washer,	Consult
999	Consult	Nameplate, explanation, 104-9936-01	Consult
999	95563	RF card, LA-4137	Consult
999	91871	Adaptor, PCMCIA, for LA-4137	Consult

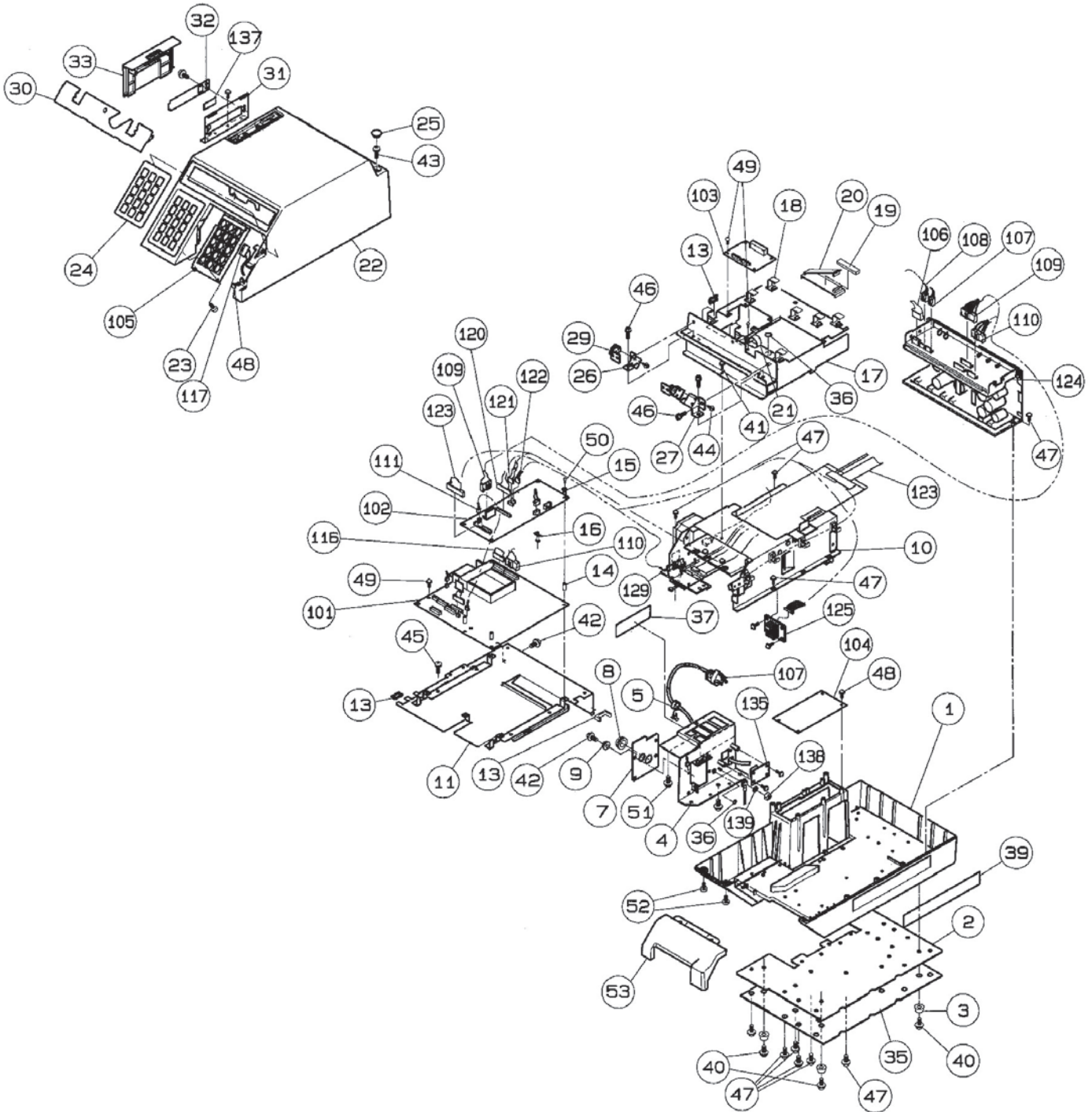
(Diagram IL-2000SA-A)

Parts not listed are no longer available. Some parts listed may not be available.

An ISO 9001 registered company ©2021 Rice Lake Weighing Systems 09/21 Prices and specifications subject to change without notice. Visit ricelake.com for current prices.

IL-2000SA

Main Unit



IL-2000SA-A