



Part Number/Price

Ref#	Part#	Description	Price
1	Consult	Frame, printer, 066-1832-22	Consult
2	Consult	Frame, printer, upper 066-4262-21	Consult
3	Consult	Bracket, sensor, R 066-4257-03	Consult
5	Consult	Rail, printer, L 066-4363-05	Consult
6	Consult	Rail, printer, R 066-4362-01	Consult
8	Consult	Sheet, cover, harness 074-7419-05	Consult
9	Consult	Shaft, printer, 064-0164-39	Consult
10	Consult	Bush, 066-7780-06	Consult
11	Consult	Spring, coil, 066-4251-01	Consult
12	Consult	Bracket, printer, 075-5569-01	Consult
13	Consult	Plate A, sq, 066-4249-03	Consult
14	Consult	Press AS, label sensor, 066-4258-16	Consult
15	96434	Bracket, head,	Consult
16	96435	Spring, coil, compressive	Consult
17	96436	Spring, coil, compressive	Consult
18	96437	Plate A, spring, support	Consult
19	Consult	Stay, head, thermal 066-4261-09	Consult
20	47481	Stopper,	Consult
21	96367	Gear, flat,	Consult
22	Consult	Motor AS, stepping, 072-8989-01	Consult
24	Consult	Catch, roller, 064-0344-05	Consult
25	115169	Collar, spacer, 048-6074-02	Consult
26	46989	Collar, spacer	Consult
27	48784	TP screw,	Consult
28	Consult	TP tapping screw, 000-0436-01	Consult
29	Consult	TP screw, 000-0439-01	Consult
30	Consult	Screw, cross truss, 000-0239-03	Consult
31	Consult	Screw, cross pan head, with glue 066-7811-08	Consult
32	47215	C ring, for shaft, 036-0949-05	Consult
33	Consult	E-ring, 000-0287-02	Consult
34	Consult	Screw, cross, pan head, with sw 065-1827-08	Consult
35	Consult	Screw, cross pan head, 002-1850-08	Consult
36	Consult	Tapping, screw 000-4826-04	Consult
41	Consult	Accessory, clamp, CKN clamp 007-5412-01	Consult
42	Consult	Accessory, clamp, wire 022-7035-09	Consult
45	84066	Set screw, hex socket, w-point 000-0469-03	Consult
46	Consult	Collar, spacer 005-0812-04	Consult
47	Consult	Tape, single side, avoidance 066-7933-18	Consult
48	Consult	Tape, single side, avoidance 066-7934-11	Consult
49	96440	Cover, head, 075-5776-14	Consult
50	Consult	Guide, label, 075-5570-05	Consult
120	Consult	Harness, S2, cassette Sensor 072-5239-28	Consult
121	Consult	Harness, C2, label Sensor 072-5236-18	Consult
122	Consult	Harness, C3, peel Sensor 072-5235-32	Consult
123	Consult	Harness S2 thermal head 072-8991-09	Consult
125	87532	Sensor, cassette number 064-5586-08	Consult
126	87533	Photo interrupter, reflection, label gap 105-5249-09	Consult
127	87534	Photo interrupter, peel sensor, grey, left, trans 64-5587-01	Consult
128	87535	Photo interrupter, peel sensor, black, right, receive 66-4500-09	Consult
129	Consult	Printer, thermal, 068-0593-05	Consult
150	Consult	Catch, support, 093-1681-04	Consult

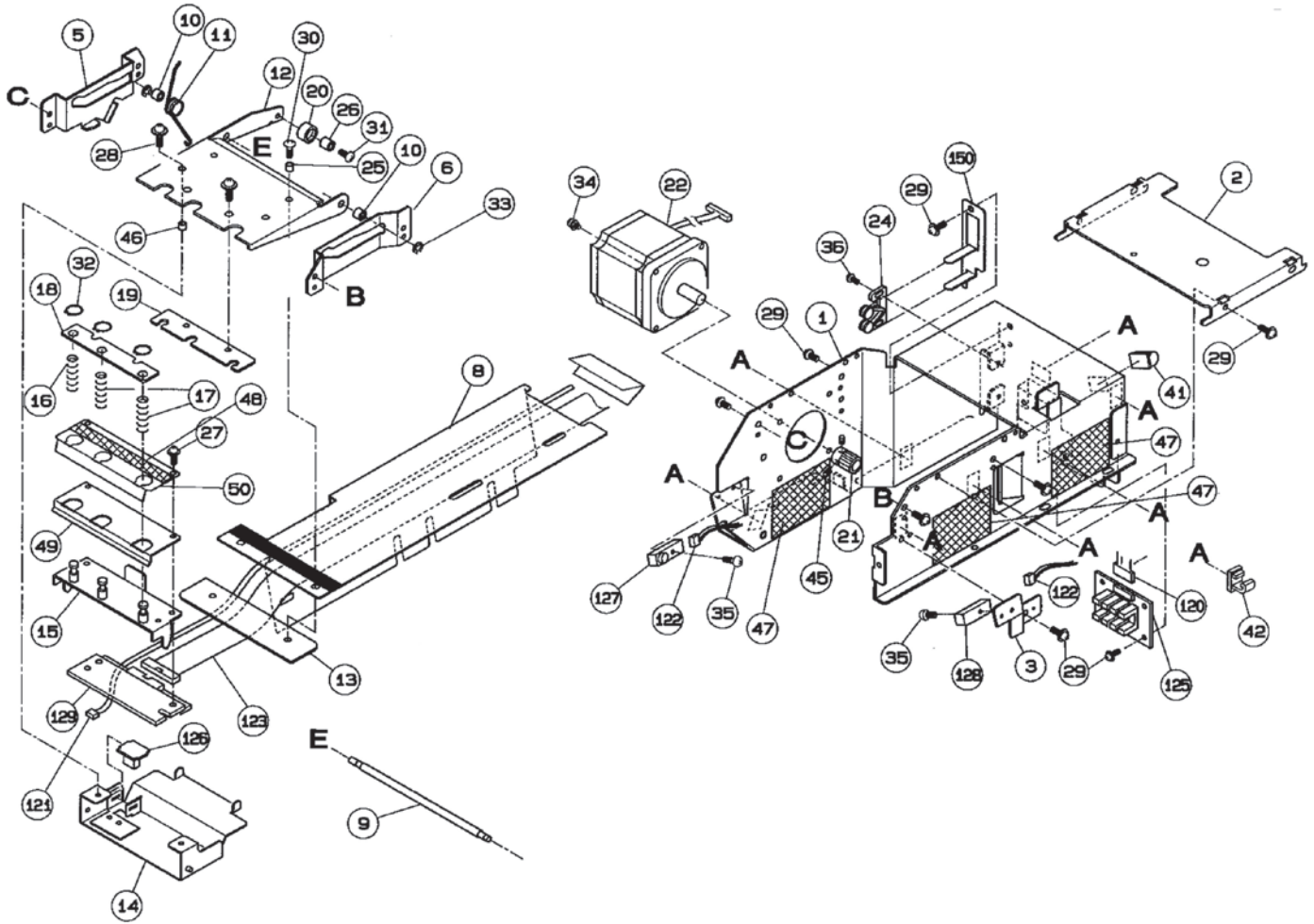
(Diagram IL-2000SA-C)

Parts not listed are no longer available. Some parts listed may not be available.

An ISO 9001 registered company ©2021 Rice Lake Weighing Systems 09/21 Prices and specifications subject to change without notice. Visit ricelake.com for current prices.

IL-2000SA

Printer Unit



IL-2000SA-C

Discontinued Scales