



Part Number/Price

Ref#	Part#	Description	Price
1	Consult	Plate AS, peeling shaft, 075-5777-09	Consult
2	Consult	Bracket, print, 075-5715-08	Consult
3	Consult	Cover, harness, label sensor 075-5714-04	Consult
4	Consult	Label, break, 079-1435-00	Consult
5	Consult	Spring, C, 3 072-5491-11	Consult
6	Consult	Shaft, step, 072-5494-31	Consult
7	Consult	Roller, 072-5496-29	Consult
8	115145	Roller, print, 072-5497-22	Consult
9	Consult	Bracket, label, stopper 075-5778-02	Consult
10	Consult	Gear, idler, 25 074-7260-01	Consult
11	Consult	Gear, flat, 074-7262-08	Consult
12	Consult	Gear, flat, 074-7261-04	Consult
13	Consult	Plate A, sensor 072-8513-20	Consult
14	Consult	Block B, sensor 074-7264-14	Consult
15	Consult	Base AS, printer 075-5787-06	Consult
16	Consult	Shaft, label, rear 072-8533-15	Consult
17	Consult	Threaded rod, round, mm 072-8832-19	Consult
18	Consult	Guide, label, 075-5773-04	Consult
19	Consult	Spring, plate, guide 075-5710-00	Consult
20	Consult	Bracket, holder, 075-5716-01	Consult
21	Consult	Holder, roller, 075-5775-01	Consult
22	Consult	Spring, coil, 074-0822-08	Consult
23	Consult	Shaft, label, 074-0823-11	Consult
24	Consult	Step screw, pan 074-7028-02	Consult
25	Consult	Frame, cassette, rear 111-5835-11	Consult
26	Consult	Frame, cassette, front 075-5779-06	Consult
27	Consult	Spring, plate, 075-5774-08	Consult
28	Consult	Guide, printer, cassette 075-5709-05	Consult
29	Consult	Roller, pole 011-0853-07	Consult
30	Consult	Guide, label 020-6991-20	Consult
31	Consult	Shaft, roller, assist 044-3821-17	Consult
32	110525	Roller, assist, 060-8956-04	Consult
33	Consult	Roller, assist, 069-4967-06	Consult
34	Consult	Cover, winding, 064-0174-27	Consult
35	Consult	Bobbin, winding, 064-0176-24	Consult
36	Consult	Holder, winding, stopper 064-0189-22	Consult
37	Consult	Spring, coil, compressive 064-0192-06	Consult
38	Consult	Bush, 064-0201-24	Consult
39	Consult	Spring pin, 017-2601-06	Consult
40	Consult	Spring, coil, compressive 053-8767-00	Consult
41	Consult	Spring, coil, compressive 059-8733-07	Consult
42	Consult	Collar, spacer 013-8288-06	Consult
43	Consult	Collar, spacer 000-0413-05	Consult
44	Consult	Bearing, radial, 000-3727-05	Consult
45	Consult	Collar, spacer 074-7219-07	Consult
46	Consult	Tapping screw, plus, P tight 075-1405-09	Consult
47	Consult	Tapping screw, TP, B tight 075-1431-06	Consult
48	Consult	TP tapping screw, 000-0436-01	Consult
49	Consult	TP screw, 010-0725-06	Consult
50	Consult	Hex bolt, bolt and washer AS S2P2, 000-5923-06	Consult
51	Consult	Screw, cross truss, 002-1933-03	Consult
52	200473	TP tapping screw, T2 019-8842-03	Consult
53	Consult	E-ring, 000-0290-04	Consult
54	Consult	E-ring, 000-0286-09	Consult

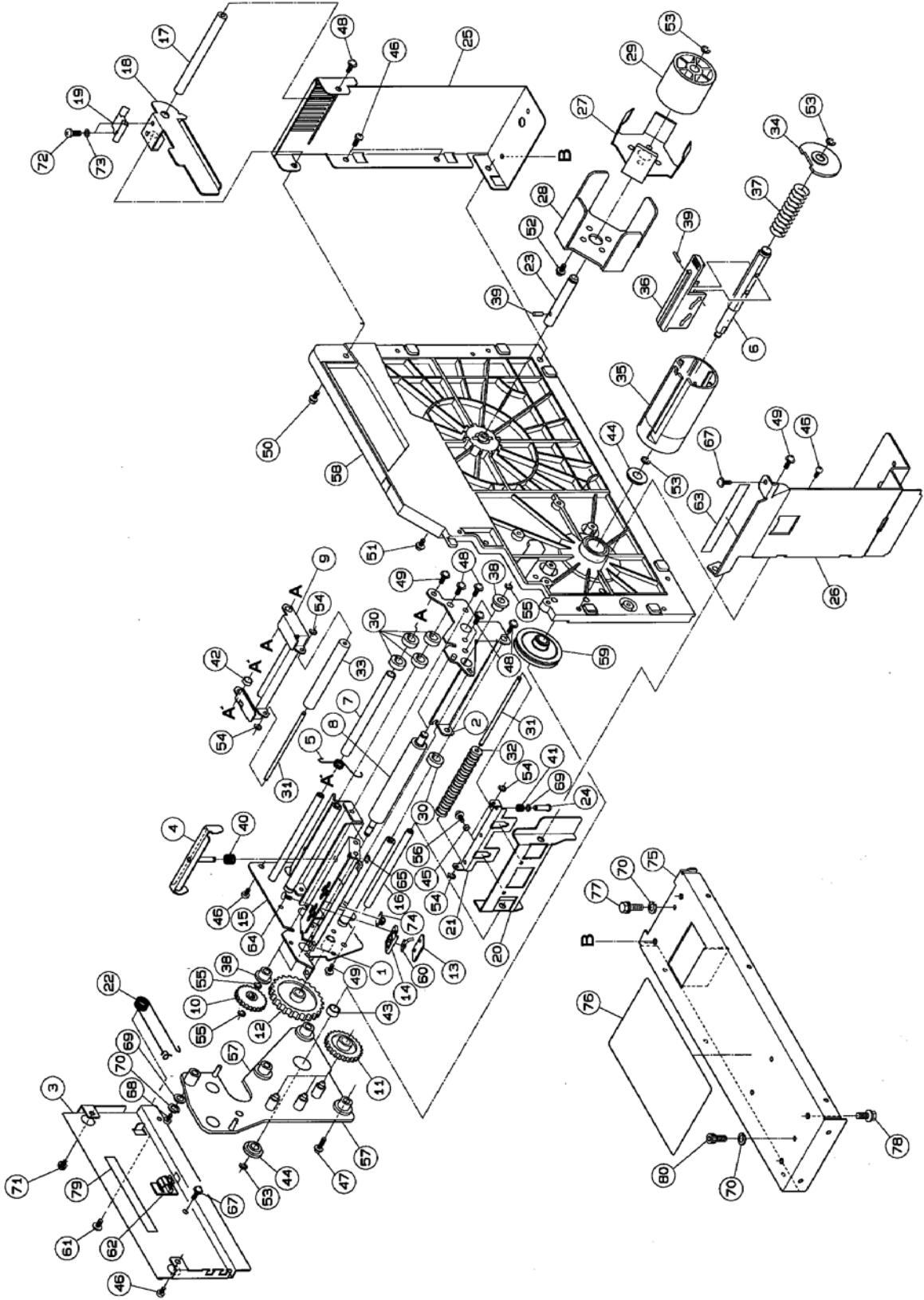
(Diagram IL-EMZ-C)

Parts not listed are no longer available. Some parts listed may not be available.

An ISO 9001 registered company ©2021 Rice Lake Weighing Systems 09/21 Prices and specifications subject to change without notice. Visit ricelake.com for current prices.

IL-EMZ

Cassette Unit



IL-EMZ-C

Discontinued Scales

Parts not listed are no longer available. Some parts listed may not be available.

IL-EMZ

Cassette Unit



Part Number/Price

Ref#	Part#	Description	Price
55	Consult	E-ring 000-0288-06	Consult
56	Consult	Screw, cross pan head 002-1849-03	Consult
57	Consult	Cover, gear 072-5489-22	Consult
58	Consult	Main body, printer, cassette 072-8839-14	Consult
59	Consult	Limiter A, assembly, 074-7421-03	Consult
60	Consult	Sensor AS, label 072-5369-29	Consult
61	Consult	Screw, cross truss 002-1926-07	Consult
62	Consult	Accessory, clamp, CKN clamp 007-5412-01	Consult
63	Consult	Tape rejection 079-8656-01	Consult
64	Consult	Screw, cross flat 000-0217-01	Consult
65	Consult	E-ring 000-0287-02	Consult
67	Consult	Screw, cross truss 000-0237-06	Consult
68	Consult	Screw, cross pan head 037-7757-00	Consult
69	Consult	Plain washer 000-0142-06	Consult
70	Consult	Spring washer 000-0172-08	Consult
71	Consult	Tapping screw, cross pan head 076-9733-07	Consult
72	Consult	Screw, cross pan head 000-0069-07	Consult
73	Consult	Spring washer 002-0480-00	Consult
74	Consult	Accessory, clamp, wire 022-7035-09	Consult
75	Consult	Base, cassette 075-5720-07	Consult
76	Consult	Nameplate, explanation 113-8367-01	Consult
77	Consult	Hex bolt 008-7015-00	Consult
78	Consult	Plus hex bolt 000-0337-05	Consult
79	Consult	Tape rejection 079-8657-05	Consult
80	Consult	Hex socket bolt 000-0191-09	Consult

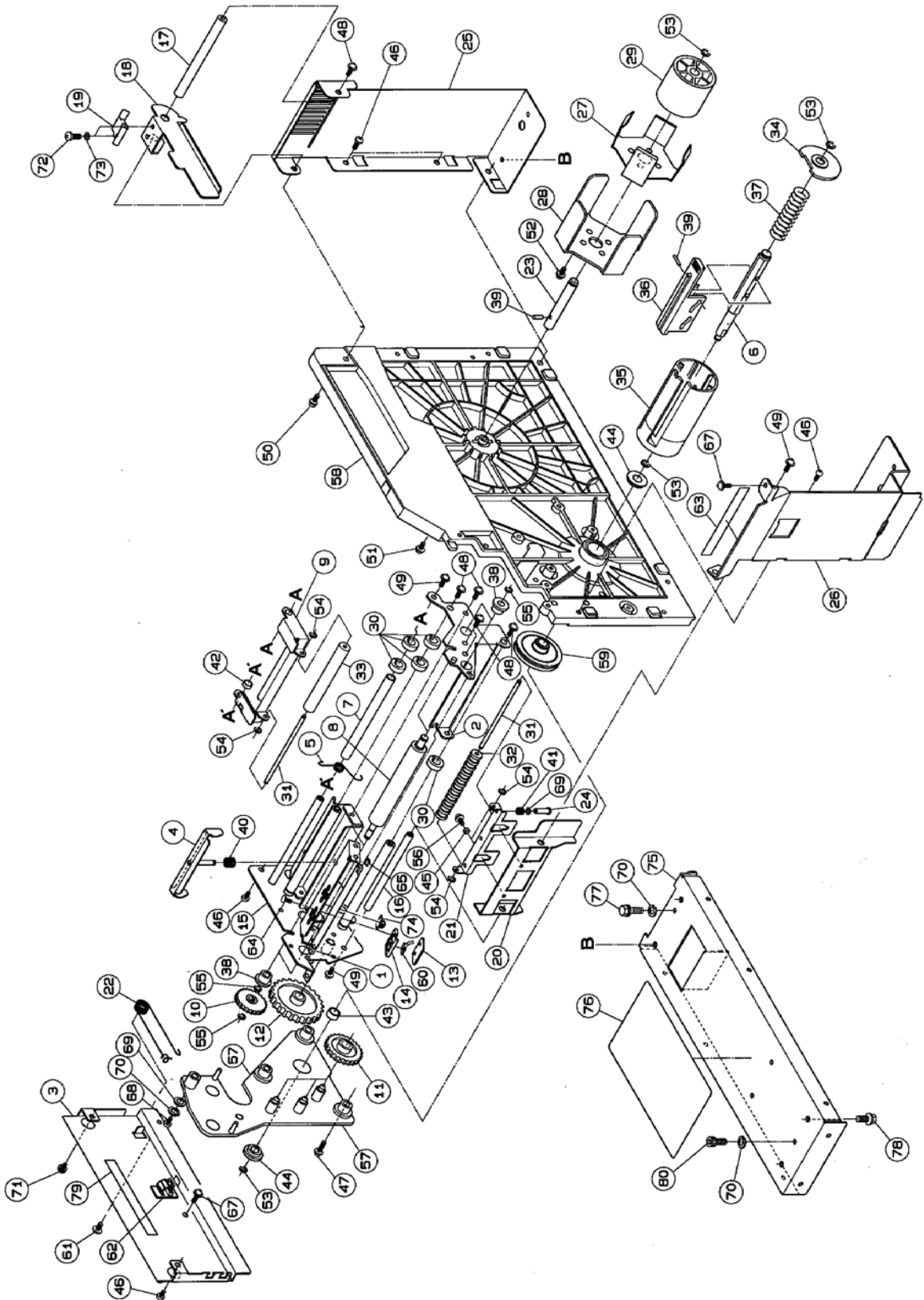
(Diagram IL-EMZ-C)

Parts not listed are no longer available. Some parts listed may not be available.

An ISO 9001 registered company ©2021 Rice Lake Weighing Systems 09/21 Prices and specifications subject to change without notice. Visit ricelake.com for current prices.

IL-EMZ

Cassette Unit



IL-EMZ-C

Discontinued Scales