

IL-EMZ

Display Unit



Part Number/Price

Ref#	Part#	Description	Price
1	Consult	Case, controller, front 091-2133-09	Consult
2	Consult	Case AS, controller, rear 098-8224-07	Consult
3	Consult	Cover, connector, 070-3082-01	Consult
4	Consult	Cover, brightness adjust, volume, 070-3083-04	Consult
5	Consult	Frame, controller, 098-3213-08	Consult
6	Consult	Bracket, connector, operation 074-7213-05	Consult
7	Consult	Sheet, 074-7467-04	Consult
9	Consult	Sheet, display, 093-1558-09	Consult
10	Consult	Print, torque, 072-8703-02	Consult
14	Consult	Accessory, clamp, wire 022-7035-09	Consult
15	Consult	Screw, cross pan head, 000-0069-07	Consult
16	Consult	Screw, cross pan head, 002-5338-01	Consult
17	Consult	Screw, cross pan head, 072-8769-08	Consult
18	Consult	Screw, cross pan head, BWA S2P2 000-0321-06	Consult
19	Consult	Tapping screw, cross pan, P 072-8766-07	Consult
20	Consult	Cross hex, set screw S2P2, 014-3997-02	Consult
21	Consult	Tapping screw, cross pan head, 072-8768-04	Consult
50	98408	Display, liquid crystal, TFT 101-1855-02	Consult
51	98402	Touch panel, analog, 069-6657-27	Consult
52	Consult	Inverter 098-8337-04	Consult
53	104766	PWB, P-917B, display controller, 098-8264-24	Consult
54	Consult	Harness, C2, key junction 069-6731-20	Consult
55	Consult	Harness, C4, TFT 098-3156-27	Consult
56	Consult	Harness, C2, inverter 098-3155-14	Consult
58	Consult	Volume AS, brightness adjust 098-8130-01	Consult
59	Consult	Plate, spacer, 098-3464-06	Consult
60	Consult	Plate, spacer, 098-3465-19	Consult

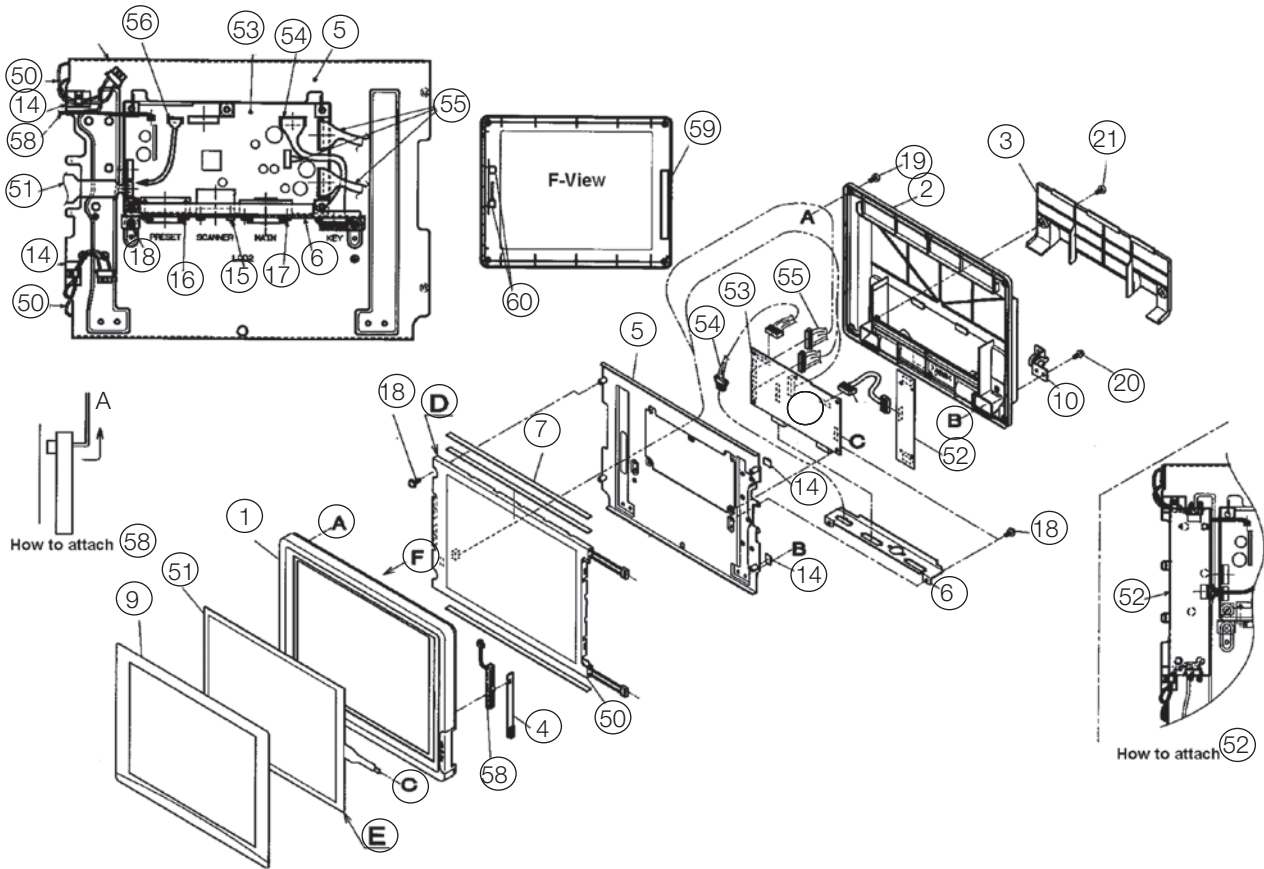
(Diagram IL-EMZ-B)

Parts not listed are no longer available. Some parts listed may not be available.

An ISO 9001 registered company ©2021 Rice Lake Weighing Systems 09/21 Prices and specifications subject to change without notice. Visit ricelake.com for current prices.

IL-EMZ

Display Unit



IL-EMZ-B