

# 1200 Series

Low-Profile Alloy Steel/Aluminum, Environmentally Sealed, IP67



Picture is a representation of model 1211

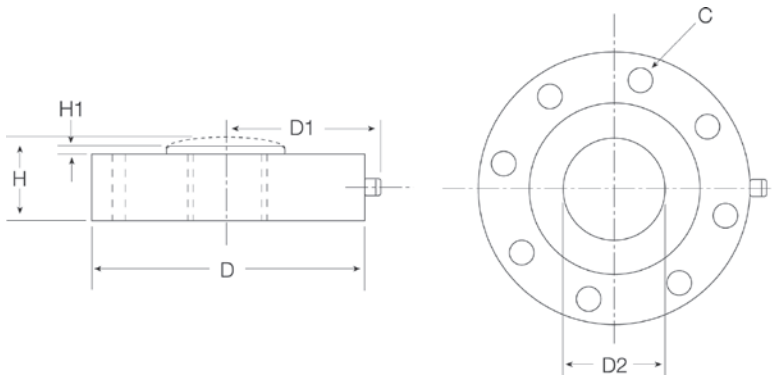
## Order Information

Load Rating	Part #	Est. Weight	Price
<b>Aluminum</b>			
<b>Model 1211</b>			
1,000 lb	36132	4 lb	Consult
2,000 lb	36133	4 lb	Consult
<b>Alloy Steel</b>			
<b>Model 1211</b>			
5,000 lb	36134	5 lb	Consult
10,000 lb	36135	5 lb	Consult
<b>Model 1221</b>			
25,000 lb	36136	8 lb	Consult
50,000 lb	36137	8 lb	Consult
<b>Model 1231</b>			
100,000 lb	36138	22 lb	Consult

Consult factory for load cell bases

## Dimensions

Rated Capacity	C	D	D1	D2	H	H1
lb/in						
1,000 to 10,000	0.28 dia 8 holes	4.12	2.63	1.34	1.37	0.12
25,000 to 50,000	0.34 dia 4 holes	4.75	2.95	1.57	1.75	0.12
100,000	0.47 dia 12 holes	7.50	4.32	3.12	2.25	0.25



## Specifications

**Full Scale Output:**

1,000 to 2,000 lb: 2.0 mV/V  
5,000 to 100,000 lb: 4.0 mV/V

**Bridge Resistance:**

350 ohm, nominal

**Material/Finish:**

1,000 to 2,000 lb: Aluminum  
5,000 to 100,000 lb: Alloy steel

**Temperature:**

Operating range:  
0 °F to 150 °F (-18 °C to 65 °C)

**Seal Type:**

Environmentally sealed, IP67

**Safe Overload:**

150% full scale

**Rated Excitation:**

5 to 10 VDC (20 V maximum)

**Nonlinearity:**

0.05% full scale

**Hysteresis:**

0.02 to 0.04% full scale

**Insulation Resistance:**

5,000 megohm

**Cable Length:**

10 ft

**Cable Color Code:**

Red +Excitation  
Black -Excitation  
Green +Signal  
White -Signal

**Warranty:**

Two-year limited