

Main Electrical Unit Wiring Diagram

Part Number/Price

REF #	PART #	DESCRIPTION	SYNONYM	PRICE
E1	98653	PWB, P-910R-2	120-0298-14	\$973.50
E2	Consult	PWB, P-964-3	094-0243-28	\$443.00
E3	Consult	PWB, P-919B-3	101-1508-00	\$213.00
E4	Consult	PWB, P-918A-1	069-6884-17	\$166.00
E5	Consult	Switch assy, seesaw	109-5879-04	\$62.00
E7	Consult	Fuse holder assy	072-5374-28	\$12.00
E8	Consult	Harness, C3, power cord	114-6567-18	\$38.00
E9	Consult	Harness, S2, power 24V	072-8990-14	\$10.00
E10	Consult	Harness, C3, power DC	072-5382-46	\$16.00
E11	Consult	Harness, S2, power junction	063-8454-12	\$3.00
E12	Consult	Harness, C2, inverter junction	096-9769-09	\$11.00
E13	Consult	Harness, S2, RS-232C	096-9780-01	\$13.00
E14	Consult	Harness, S2, LCD1	072-5233-26	\$12.00
E15	Consult	Harness, S2, LCD2	072-5232-22	\$12.00
E16	Consult	Harness, C2, comm	072-5378-22	\$19.00
E17	Consult	Harness, C2, key	072-5378-22	\$10.00
E18	Consult	Harness, C2, scale	072-5375-12	\$26.00
E19	Consult	Sensor assy, head	072-5385-38	\$23.00
E21	Consult	Sensor assy, label gap	074-0649-28	\$21.00
E22	Consult	Harness, C3, peel sensor	072-5380-02	\$13.00
E23	Consult	Harness, C2, thermal head	072-5377-29	\$22.00
E24	98407	Keyboard assy	108-0485-05	\$348.00
E25	87521	Power supply, switching	106-1434-04	\$335.00
E26	87534	Photo interrupter, trans	064-5587-01	\$11.50
E27	87535	Photo interrupter, trans, receive	066-4500-09	\$11.50
E28	87531	Printer, thermal	094-0086-01	\$245.50
E29	Consult	Fuse, glass tube, 8A, 250V	009-2449-01	\$3.00
E30	Consult	Connector, D sub, accessory	070-9748-09	\$3.00
E31	Consult	Connector, D sub, accessory	070-9749-02	\$2.00
E33	Consult	Harness, S2, ground clamp	074-7114-19	\$5.00
E34	Consult	PWB, P-967, -1	095-4469-06	\$21.00
E35	Consult	Harness, S2, ether	095-9479-01	\$29.00
E36	Consult	Filter, ferrite core	048-2023-17	\$13.00
E37	186416	Filter, ferrite core	074-0771-01	\$10.00
E38	Consult	Harness, C2, ground	096-9772-01	\$6.00
E39	Consult	Filter, noise	096-9774-08	\$35.00
E60	156486	Sensor assy, label	072-5369-29	\$21.00
Accessory Parts				
8	Consult	Harness, S2, operation	074-0831-01	\$82.00
9	Consult	Harness, S2, ground wire	074-0547-03	\$4.00

Price and availability confirmation recommended

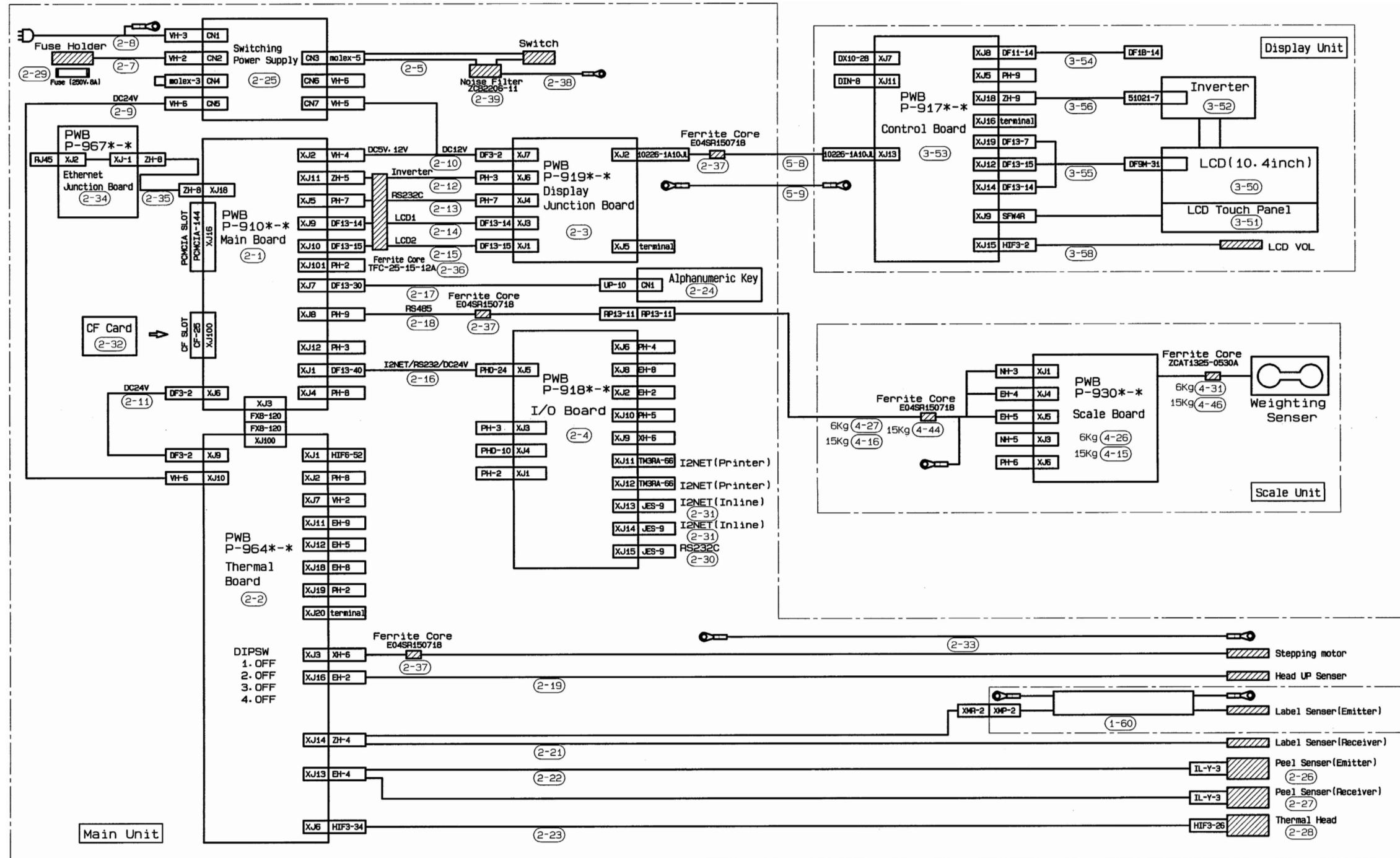
An ISO 9001 Registered Company ©2022 Rice Lake Weighing Systems 1/22 Prices and specifications subject to change without notice. Visit ricelake.com for current prices.

RICE LAKE
WEIGHING SYSTEMS

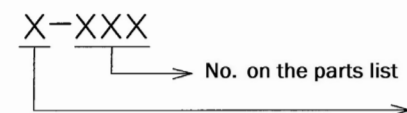
Discontinued Products

Ishida IP-EMZ

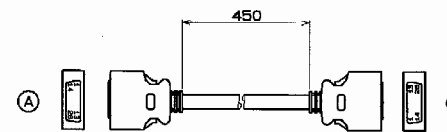
Main Electrical Unit Wiring Diagram



1) The No. inside means as follows.



No.	UNIT NAME
1	Cassette Unit
2	Main Unit
3	Display Unit
4	Scale Unit
5	Top Unit



Ⓐ Ⓑ MDR CONNECTOR 26P (SUMITOMO 3M)