

Main Unit

Part Number/Price

REF #	PART #	DESCRIPTION	SYNONYM	PRICE
1	Consult	Bracket, weigh	072-5388-202	\$79.00
2	Consult	Spring, B	2 072-5389-14	\$7.00
3	Consult	Slide, rail, left	075-5713-01	\$6.00
4	Consult	Bracket, stopper	093-5279-13	\$52.00
5	Consult	Bracket, head	066-4253-18	\$14.00
6	Consult	Shaft, printer, slide	072-5495-16	\$9.00
7	Consult	Bracket assy, print	093-5278-38	\$58.00
8	Consult	Slide, rail, right	075-5712-07	\$6.00
9	Consult	Bracket, sensor	075-5718-09	\$14.00
10	Consult	Bracket, motor	072-8512-17	\$7.00
11	Consult	Plate A, sensor	072-8513-20	\$5.00
12	Consult	Block B, sensor	074-7263-11	\$2.00
14	Consult	Frame, rear	072-8517-15	\$34.00
15	Consult	Sensor, receiver	075-5706-13	\$3.00
16	Consult	Cover, rear	072-8519-31	\$71.00
17	Consult	Base, under	121-5397-06	\$243.00
18	Consult	Frame, middle	079-8650-28	\$69.00
19	Consult	Frame, right	079-1433-02	\$55.00
20	Consult	Bracket, assy, display	090-0585-04	\$20.00
22	Consult	Frame assy, upper	090-0563-11	\$69.00
23	Consult	Frame, left	079-1440-09	\$35.00
25	Consult	Bracket, thermal harness	079-1441-11	\$11.00
26	Consult	Bracket, display board	079-1437-07	\$22.00
28	Consult	L plate A, micro sw	079-8652-07	\$7.00
29	Consult	Clip, print	074-0827-42	\$10.00
30	Consult	Cover, harness, thermal	079-1442-06	\$16.00
31	Consult	Plate A, key	079-8653-01	\$6.00
32	Consult	Base, key	079-1438-01	\$45.00
33	Consult	Plate A, cover, lower	074-7025-11	\$28.00
34	Consult	Collar	074-7026-05	\$7.00
35	Consult	Bracket, stopper	075-5705-01	\$4.00
36	Consult	Cover, printer, connector	079-1439-04	\$20.00
37	Consult	Gear, flat	047-0630-04	\$7.00
38	Consult	Rail, slide	043-1905-02	\$33.00
40	Consult	Plate A, spring, support	066-4250-08	\$2.00
41	Consult	Stay, head, thermal	066-4261-09	\$3.00
42	Consult	Bush	066-7780-06	\$3.00
43	96440	Cover, head	075-5776-14	\$6.00
44	96435	Spring, coil, compressive	096-9830-03	\$2.50
45	96436	Spring, coil, compressive	096-9831-07	\$1.50
46	Consult	Rubber pad	072-8631-08	\$2.00
47	Consult	Accessory, bush	046-2004-02	\$2.00
48	110644	Spring, coil, tension	021-5673-01	\$8.00
49	Consult	Accessory, bush, cable	123-2319-09	\$1.00
50	Consult	PWB accessory, collar bush	000-1973-08	\$1.00
51	Consult	PWB accessory, collar bush	000-1845-04	\$1.00
52	Consult	Accessory, fastener, edge saddle	064-0360-05	\$2.00
54	Consult	Accessory, clamp, flat cable	065-1823-03	\$7.00
57	Consult	Catch, magnet	079-1224-01	\$12.00
58	Consult	Cover, slot, CF	117-9863-04	\$20.00
59	Consult	Plate B, PC	066-1831-01	\$2.00
60	Consult	Sheet, harness, upper	074-7032-17	\$9.00
61	Consult	Sheet, harness, lower	079-8651-03	\$10.00
62	Consult	Case, main body, upper	072-8684-14	\$34.00

Discontinued Products

Price and availability confirmation recommended

An ISO 9001 Registered Company ©2022 Rice Lake Weighing Systems 1/22 Prices and specifications subject to change without notice. Visit ricelake.com for current prices.

Main Unit

Part Number/Price

REF #	PART #	DESCRIPTION	SYNONYM	PRICE
63	Consult	Case, main body, side	072-8698-16	\$30.00
64	Consult	Case, main body, front	072-8838-20	\$22.00
65	Consult	Case, key	072-8838-20	\$7.00
66	Consult	Cover, printer	072-8852-22	\$9.00
67	Consult	Cover, cassette, front	072-8841-21	\$11.00
68	Consult	Collar, spacer	010-5999-08	\$1.00
69	Consult	Collar, spacer	010-5543-03	\$1.00
70	Consult	Name plate, explanation	073-7402-23	\$7.00
71	Consult	Name plate, explanation	122-1731-00	\$14.00
72	Consult	Motor assy, stepping	074-7420-19	\$71.00
73	Consult	Name plate, specification	123-2304-0376	Consult
76	Consult	PWB accessory, card spacer	000-1805-05	\$2.00
79	Consult	Cap	001-4457-01	\$1.00
80	Consult	Screw, cross truss	002-1925-03	\$1.00
81	Consult	Screw, cross truss	000-0237-06	\$1.00
82	Consult	Screw, cross truss	001-0022-00	\$1.00
83	Consult	TP screw	010-0725-06	\$1.00
84	Consult	TP tapping screw	000-0436-01	\$1.00
85	Consult	TP screw M3x6	000-0438-08	\$1.00
87	Consult	TP screw	000-0439-01	\$1.00
89	Consult	Screw, cross truss	000-0254-00	\$1.00
90	Consult	Screw, cross flat	000-0217-01	\$1.00
91	Consult	Screw, cross flat	002-1914-02	\$1.00
92	Consult	Screw, cross pan head	066-4172-01	\$1.00
93	Consult	Screw, cross pan head	002-1835-01	\$1.00
94	Consult	Screw, cross pan head	002-1850-08	\$1.00
95	Consult	Screw, cross pan head, BWA S2P2	000-0323-03	\$1.00
96	Consult	Screw, cross pan head	000-0091-00	\$1.00
97	Consult	Screw, cross pan head, BWA S2P1	003-2571-00	\$1.00
99	Consult	Cross head, hex bolt with pw, M4x8mm SST	014-3996-09	\$1.00
100	Consult	Plus hex bolt	000-0337-05	\$1.00
102	Consult	Set screw, hex socket, w-point	000-0469-03	\$1.00
103	Consult	E-ring	000-0286-09	\$1.00
104	46986	E-ring, M3 SST	000-0287-02	\$1.50
105	47215	C ring, for shaft, M6 SST	036-0949-05	\$2.50
106	Consult	TP tapping screw, T2, M4x10mm zinc	019-8842-03	\$1.00
108	Consult	Screw, cross truss	007-1060-09	\$1.00
109	Consult	Accessory, clamp, KKN clamp	002-5032-02	\$5.00
110	Consult	Accessory, clamp, LWS clamp	051-3041-07	\$2.00
111	Consult	Cover, card	071-4684-12	\$5.00
113	Consult	Tape rejection	079-8656-01	\$8.00
115	Consult	Accessory, clamp, KKN clamp	007-5412-01	\$2.00
116	Consult	Screw, cross pan head	004-4875-06	\$1.00
120	Consult	L plate B	095-9478-17	\$69.00
121	Consult	Name plate	097-8992-07	\$1.00

Price and availability confirmation recommended

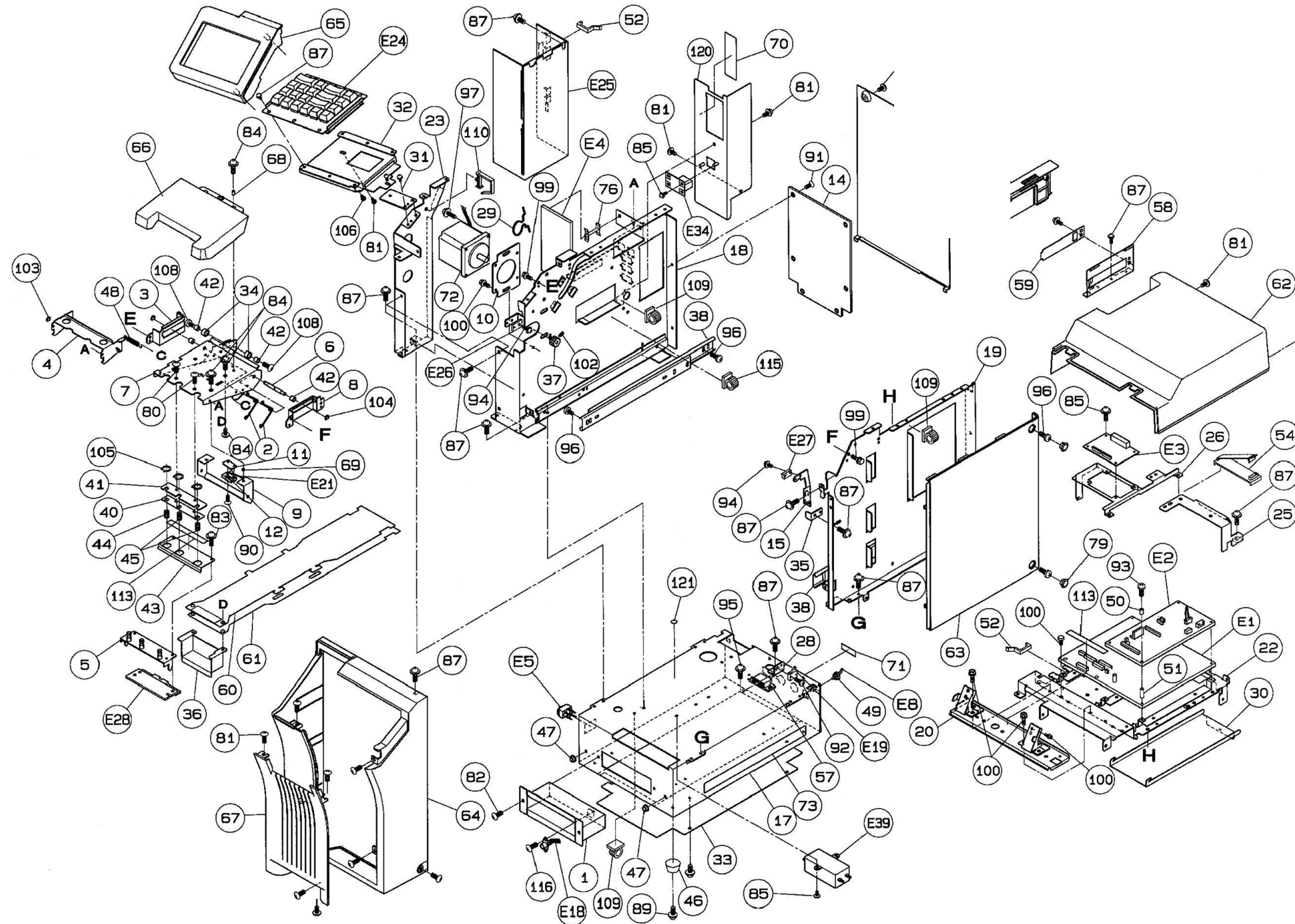
An ISO 9001 Registered Company ©2022 Rice Lake Weighing Systems 1/22 Prices and specifications subject to change without notice. Visit ricelake.com for current prices.

RICE LAKE
WEIGHING SYSTEMS

Discontinued Products

Ishida IP-EMZ

Main Unit



NOTE: For diagram numbers beginning with "E" refer to IP-EMZ main electrical Unit.