

CHECKWEIGHERS

IQ plus® 2100/2100SL Digital Bench Scale

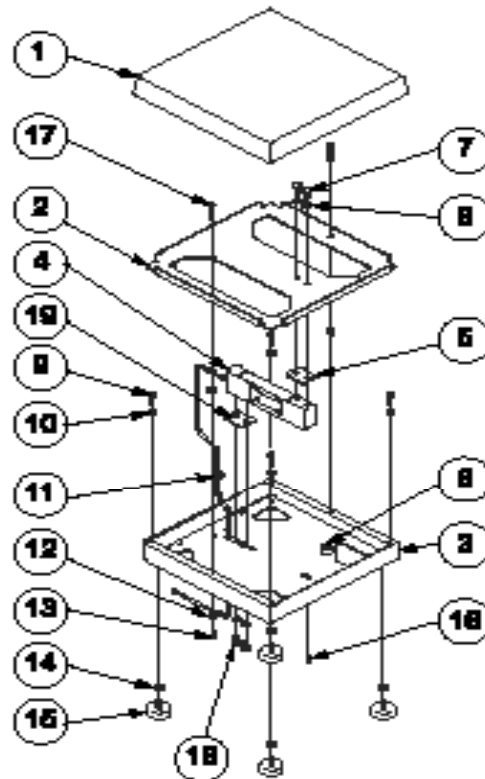
2100 Base Assembly



Part Number/Price

Ref#	Part#	Description	Price
1	51332	Platter, 10 in x 10 in	Consult
1	105457	Platter, 12 in x 12 in	Consult
2	50880	Spider plate, 10 in x 10 in	Consult
2	51335	Spider plate, 12 in x 12 in	Consult
3	50881	Base, 10 in x 10 in (5 lb model)	Consult
3	63233	Base, 10 in x 10 in (10 & 25 lb models)	Consult
3	63430	Base, 12 in x 12 in	Consult
4	40957	Load cell, RL 1042, 10 in x 10 in (5 lb model)	Consult
4	40959	Load cell, RL 1042, 10 in x 10 in (10 lb model)	Consult
4	40961	Load cell, RL 1042, 10 in x 10 in (25 lb model)	Consult
4	40962	Load cell, RL 1042, 12 in x 12 in (50 lb model)	Consult
4	40964	Load cell, RL 1042, 12 in x 12 in (100 lb model)	Consult
5	35082	Upper load cell shim, 10 in x 10 in	Consult
5	52383	Upper load cell shim, 12 in x 12 in	Consult
6	15410	Bubble level	Consult
7	21948	Cap screws, 1/4-20 NC x 5/8	Consult
8	15148	Lock washers, 1/4	Consult
9	52341	Overload protection cap screws, 10-32 NF x 3/4	Consult
10	39025	Nuts, 10-32 NF hex, 18-8	Consult
11	15408	Rubber grommet, 3/16 ID	Consult
12	15409	Cable clamp, No. 8	Consult
13	14862	Machine screw, 8-32 NC x 3/8	Consult
14	14645	Jam nuts, 1/4-20 NC hex, SS	Consult
15	35128	Scale feet, 1/4-20 NC x 1 3/16	Consult
17	63170	Lift-up protection machine screws, 10-32 NF x 1 1/4	Consult
18	14963	Cap screws, 1/4-20 NC x 3/4	Consult
19	52383	Lower load cell shim	Consult

For IQ plus 2100SL base assembly, please refer to page 22 (Benchmark SL Series)



IQ plus 2100-A

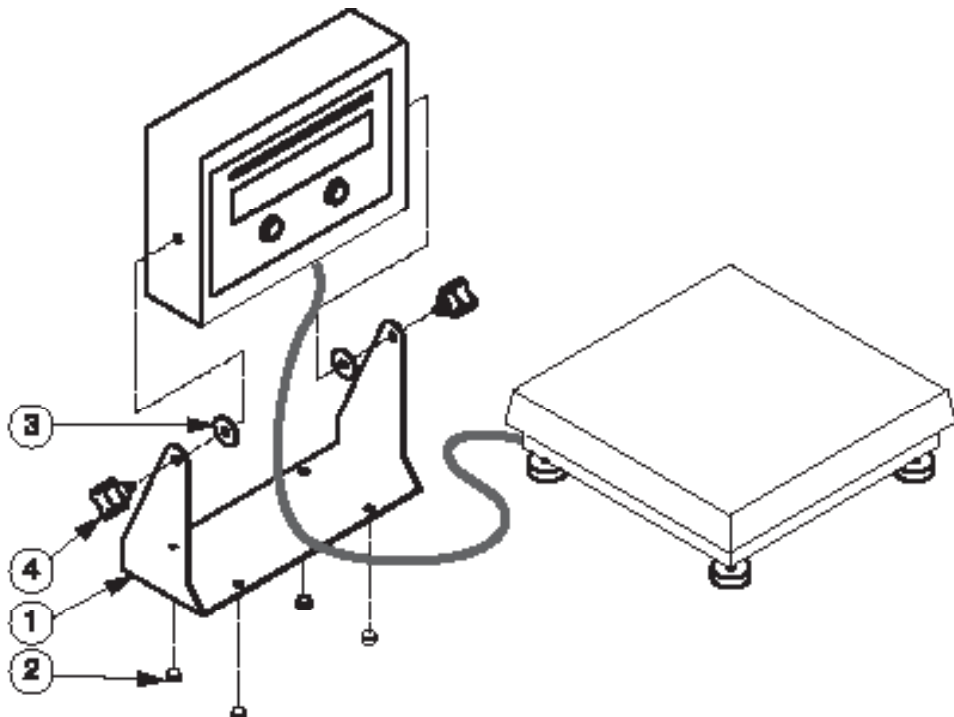
IQ plus® 2100/2100SL Digital Bench Scale

Tilt Stand Assembly

Part Number/Price

Ref#	Part#	Description	Price
1	29635	Tilt stand	Consult
2	42149	Tilt stand feet	Consult
3	15144	Nylon washers, 1/4 x 1 x 1/16	Consult
4	68403	Wing knobs	Consult

(See Diagram IQ plus 2100-B)



IQ plus 2100-B

Checkweighers

CHECKWEIGHERS

IQ plus® 2100/2100SL Digital Bench Scale

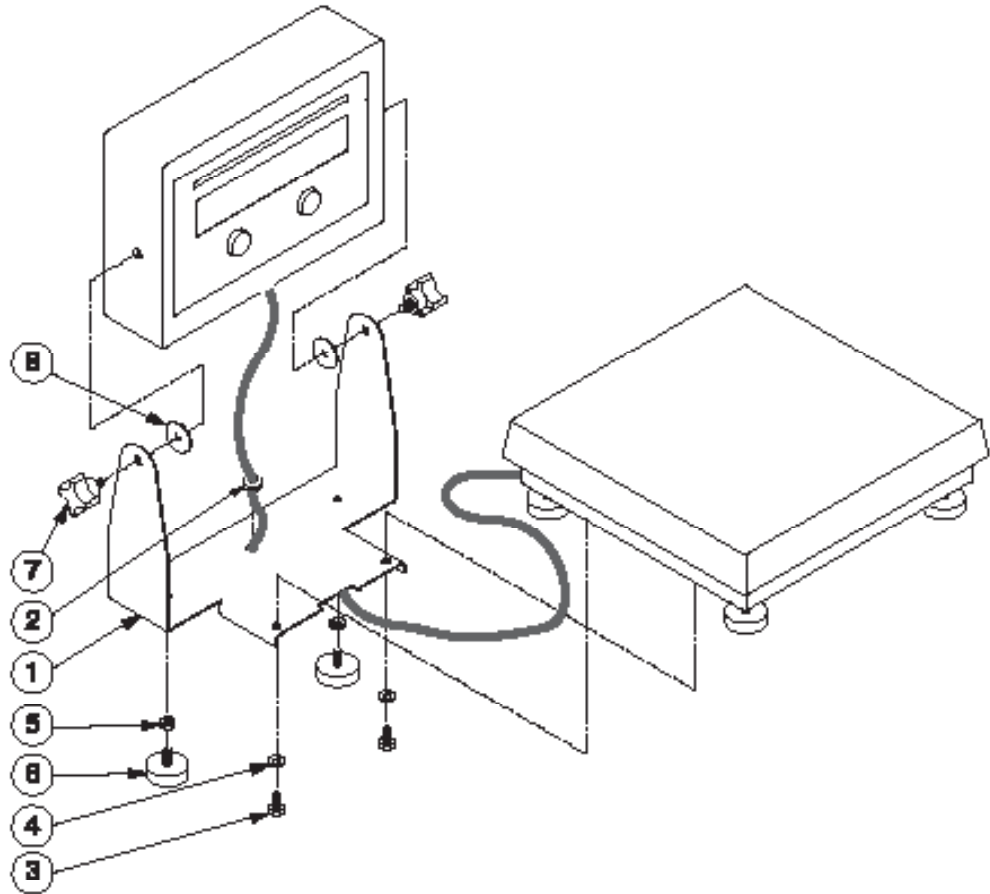
Attachment Bracket Assembly



Part Number/Price

Ref#	Part#	Description	Price
1	50879	Attachment bracket	Consult
2	15408	Rubber grommet, 3/16 ID	Consult
3	14956	Cap screws, 1/4-20NC x 1/2	Consult
4	15148	Lock washers, 1/4	Consult
5	14645	Jam nuts, 1/4-20NC hex, SS	Consult
6	35128	Bench scale feet, 1/4-20NC	Consult
7	68403	Wing knobs	Consult
8	15144	Nylon washers, 1/4 x 1 x 1/16	Consult

(See Diagram IQ plus 2100-C)



IQ plus 2100-C

Checkweighers

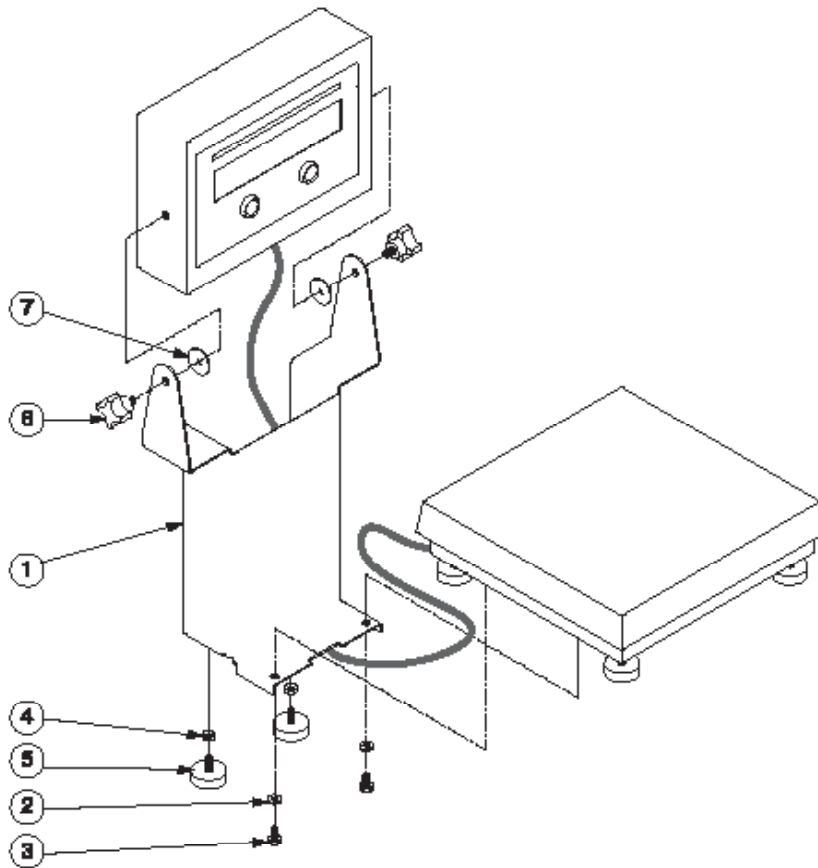
IQ plus® 2100/2100SL Digital Bench Scale

Column Assembly

Part Number/Price

Ref#	Part#	Description	Price
1	105453	12 in column	Consult
2	15148	Lock washers, 1/4	Consult
3	14956	Cap screws, 1/4-20 NC x 1/2	Consult
4	14645	Jam nuts, 1/4-20 NC hex, SS	Consult
5	35128	Bench scale feet, 1/4-20 NC	Consult
6	68403	Wing knobs	Consult
7	15144	Nylon washers, 1/4 S 1 x 1/16	Consult

(See Diagram IQ plus 2100-D)



IQ plus 2100-D

IQ plus® 2100/2100SL and IQ plus Indicator

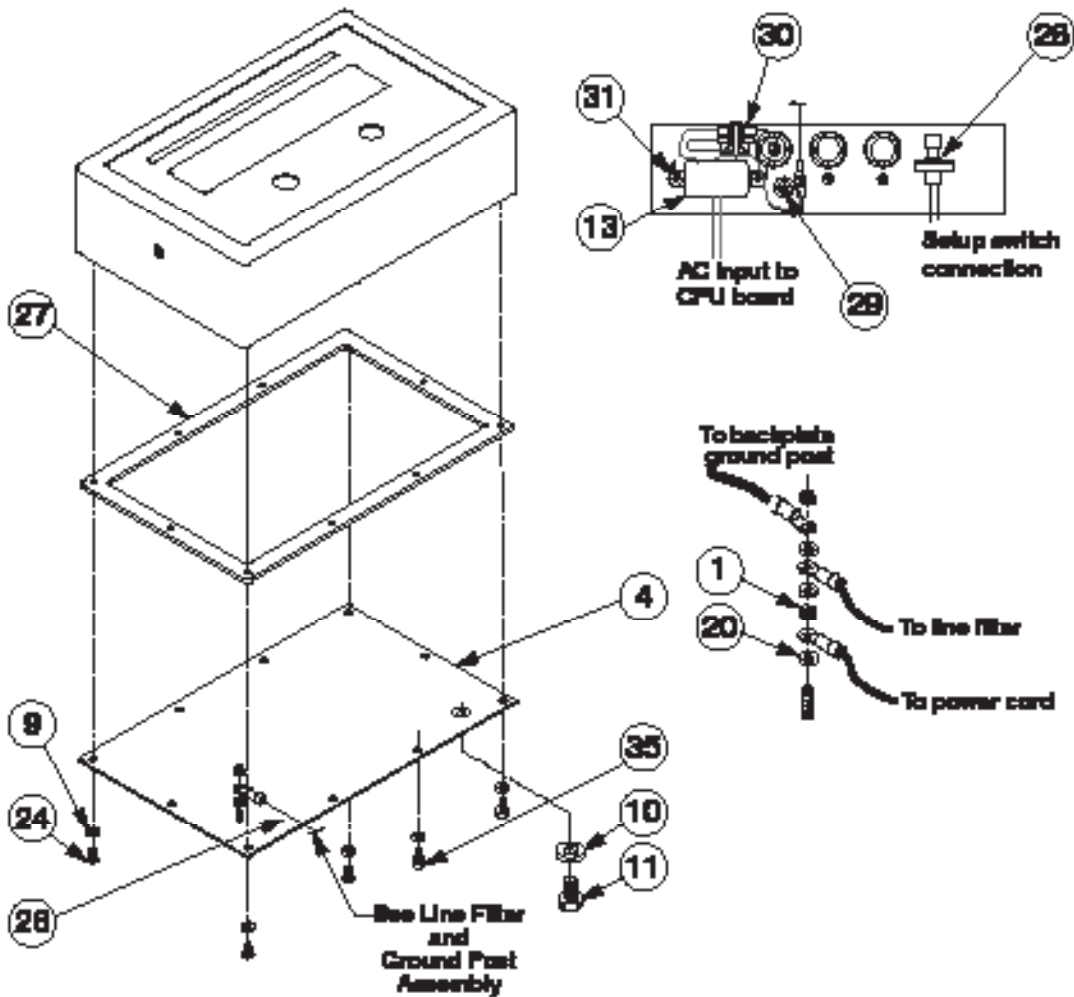
Backplate & Tilt Stand Assembly



Part Number/Price

Ref#	Part#	Description	Price
1	14626	Nuts, kep, 8-32 NC hex	Consult
4	52483	Enclosure backplate	Consult
9	45042	Sealing washers	Consult
10	44676	Sealing washer for setup switch access screw	Consult
11	42640	Setup switch access screw, 1/4 x 28NF x 1/4	Consult
13	41964	Line filter assembly	Consult
20	15134	Lock washers, internal tooth, No. 8, Type A	Consult
24	14862	Screws, 8-32 NC x 3/8	Consult
26	45043	Ground wire, 4 in, no. 8	Consult
27	39037	Backplate gasket	Consult
28	49910	Setup switch assembly	Consult
29	16892	Ground/earth label	Consult
30	15650	Cable tie mounts	Consult
31	45302	Line filter standoffs	Consult
35	30623	Fillister head screws, 8-32 NC x 7/16	Consult

(See Diagram IQ plus 210-A)



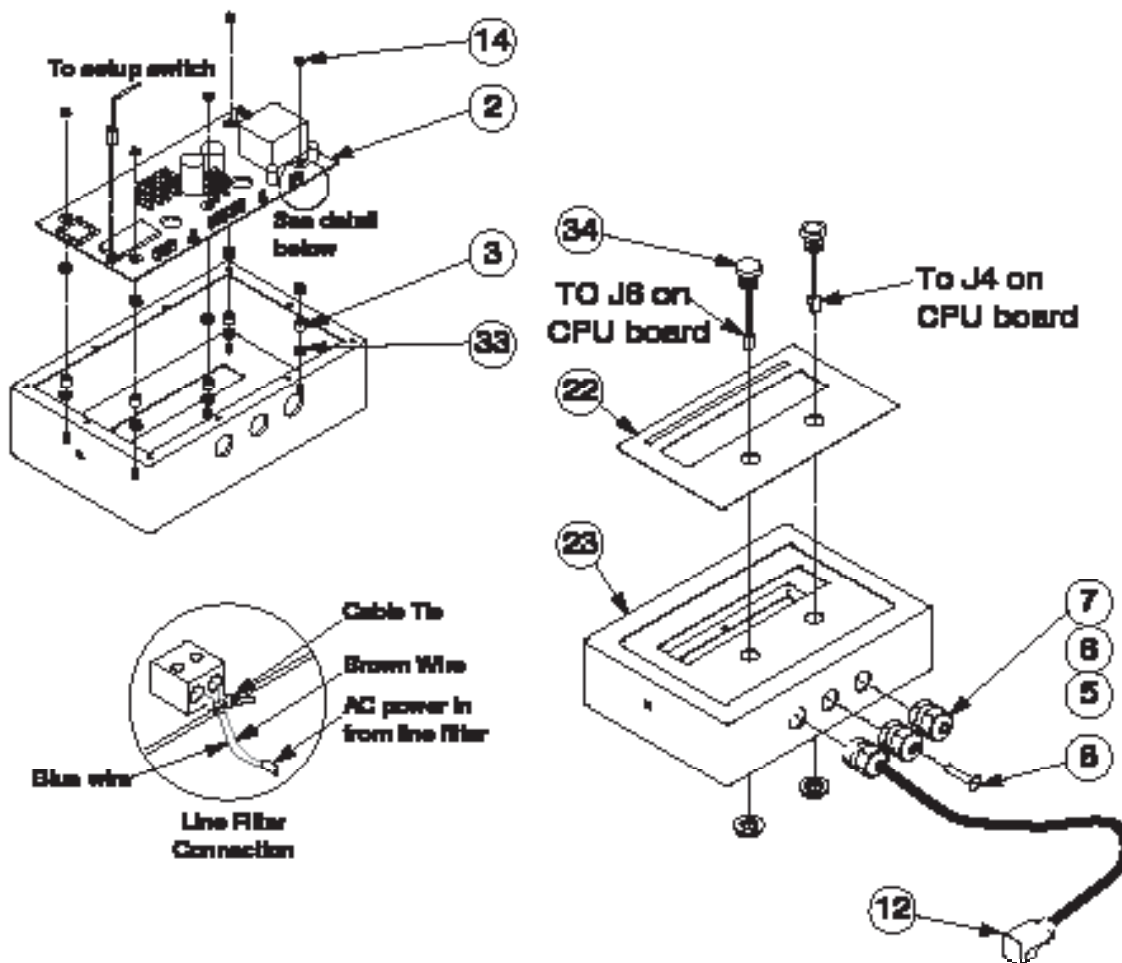
IQ plus 210-A

IQ plus® 2100/2100SL and IQ plus Indicator CPU Board and Enclosure

Part Number/Price

Ref#	Part#	Description	Price
2	53651	Display and CPU board assembly, 115VAC	Consult
2	53650	Display and CPU board assembly, 230VAC	Consult
3	15365	Board mounting spacers	Consult
5	15626	Cable grips, PG9	Consult
6	30375	Nylon seal rings for cable grips	Consult
7	15627	Locknuts, PCN9	Consult
8	19538	Cable grip plugs	Consult
12	41965	Power cord assembly, 115VAC	Consult
12	45254	Power cord assembly, 230VAC	Consult
14	14621	Keyp nuts, 6-32 NC hex	Consult
22	52853	Overlay membrane panel	Consult
23	52482	Enclosure	Consult
33	15131	Lock washers, external tooth, no. 6, Type A	Consult
34	71014	Piezo switches, non-tactile feed back	Consult
	53848	Fuse 200 mA 115VAC	Consult
	53881	Fuse 100 mA 230VAC	Consult

(See Diagram IQ plus 210-B)



IQ plus 210-B

Checkweighers