

INDICATORS

IQ plus® 355 Digital Weight Indicator

Backplate & Tilt Stand Assemblies



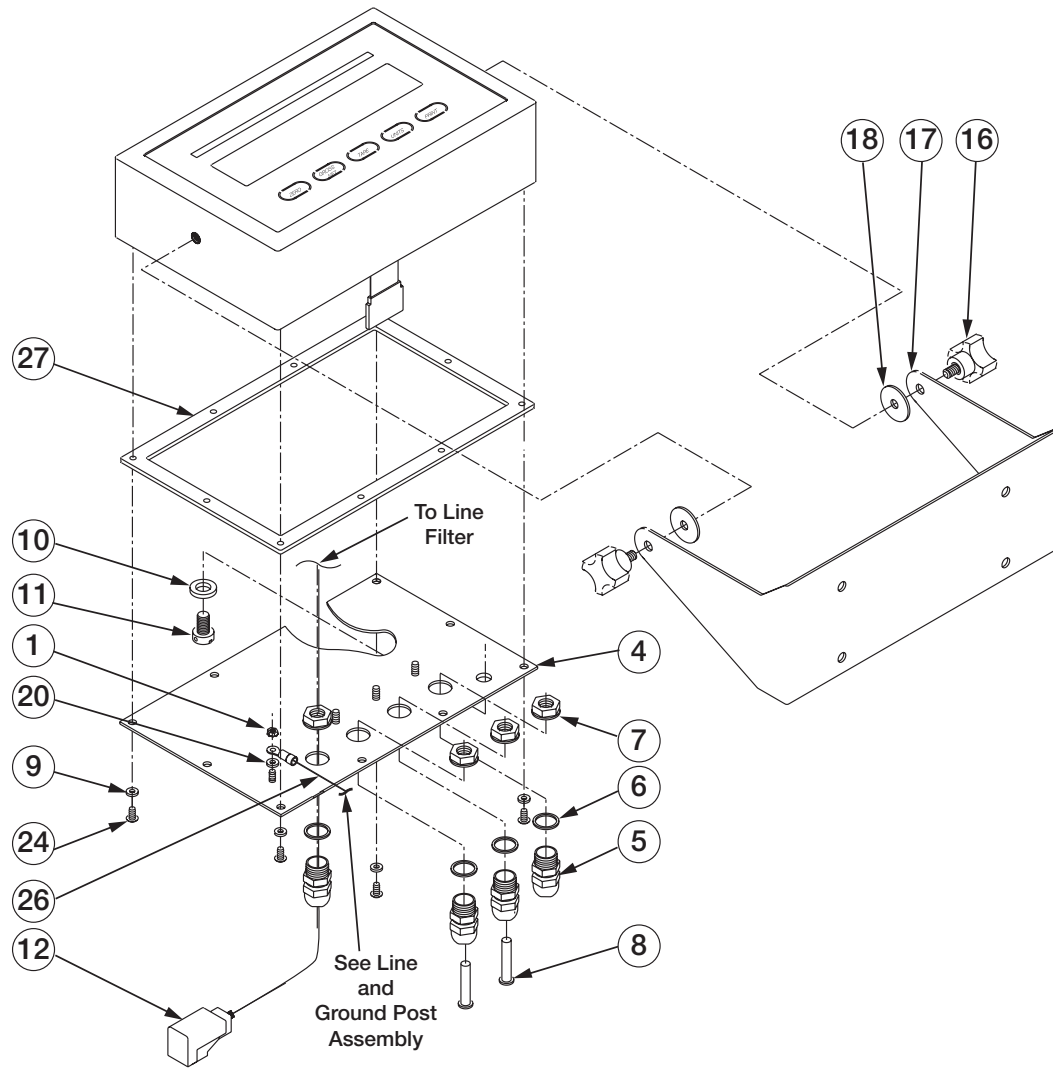
Part Number/Price

Ref#	Part#	Description	Price
	66503	Installation manual	Consult
	70599	6-position connectors for J1 (load cell)	Consult
	70600	7-position connectors for J4 and J12 (serial)	Consult
	83564	Clear protective overlay	Consult
	43381	Analog output board	Consult
	15885	Analog output connector 4-pin	Consult
	52948	Panel mount kit	Consult
	52212	Parts kit	Consult
Components of Part# 52212			
	14626	Nut, KEP, 8-32 NC hex	Consult
	14862	Screw, 8-32 NC x 3/8"	Consult
	15133	Washer, lock No. 8, type A	Consult
	30623	Screw, 8-32 NC x 7/16", drilled fillister	Consult
	70600	7-position connectors for J4 and J12	Consult
	42149	Bumpers, rubber	Consult
	94422	Label, capacity	Consult
	45042	Washer, bonded sealing, SST	Consult
	52209	Label, identification	Consult
	53374	Label, annunciators	Consult
	67550	Clamp, ground cable shield	Consult
	70599	6-position connectors for J1	Consult
	66730	Filter, snap-on ferrite, CE	Consult
1	14626	Nut, KEP, 8-32 NC hex	Consult
4	39017	Enclosure backplate	Consult
5	15626	Cable grips, PG9	Consult
6	30375	Nylon seal rings for cable grips	Consult
7	15627	Lock nuts, PCN9	Consult
8	19538	Cable grip plugs	Consult
9	45042	Sealing washers	Consult
	44676	Sealing washer for set-up switch access screw	Consult
11	42640	Set-up switch access screw, 1/4" x 28 NF x 1/4"	Consult
12	41965	Power cord assembly, 115VAC	Consult
	45254	Power cord assembly, 230VAC	Consult
16	68403	Two-cornered wing knobs for tilt stand (new style)	Consult
17	29635	Tilt stand	Consult
18	15144	Nylon washers for tilt stand, 1/4" x 1" x 1/16"	Consult
20	15134	Lock washers, internal tooth, No. 8, Type A	Consult
24	14862	Screws, 8-32 NC x 3/8"	Consult
26	45043	Ground wire, 4", No. 8	Consult
27	39037	Backplate gasket	Consult

(See Diagram IQ plus 355-A)

IQ plus® 355 Digital Weight Indicator

Backplate & Tilt Stand Assemblies



IQ plus 355-A

INDICATORS

IQ plus® 355 Digital Weight Indicator

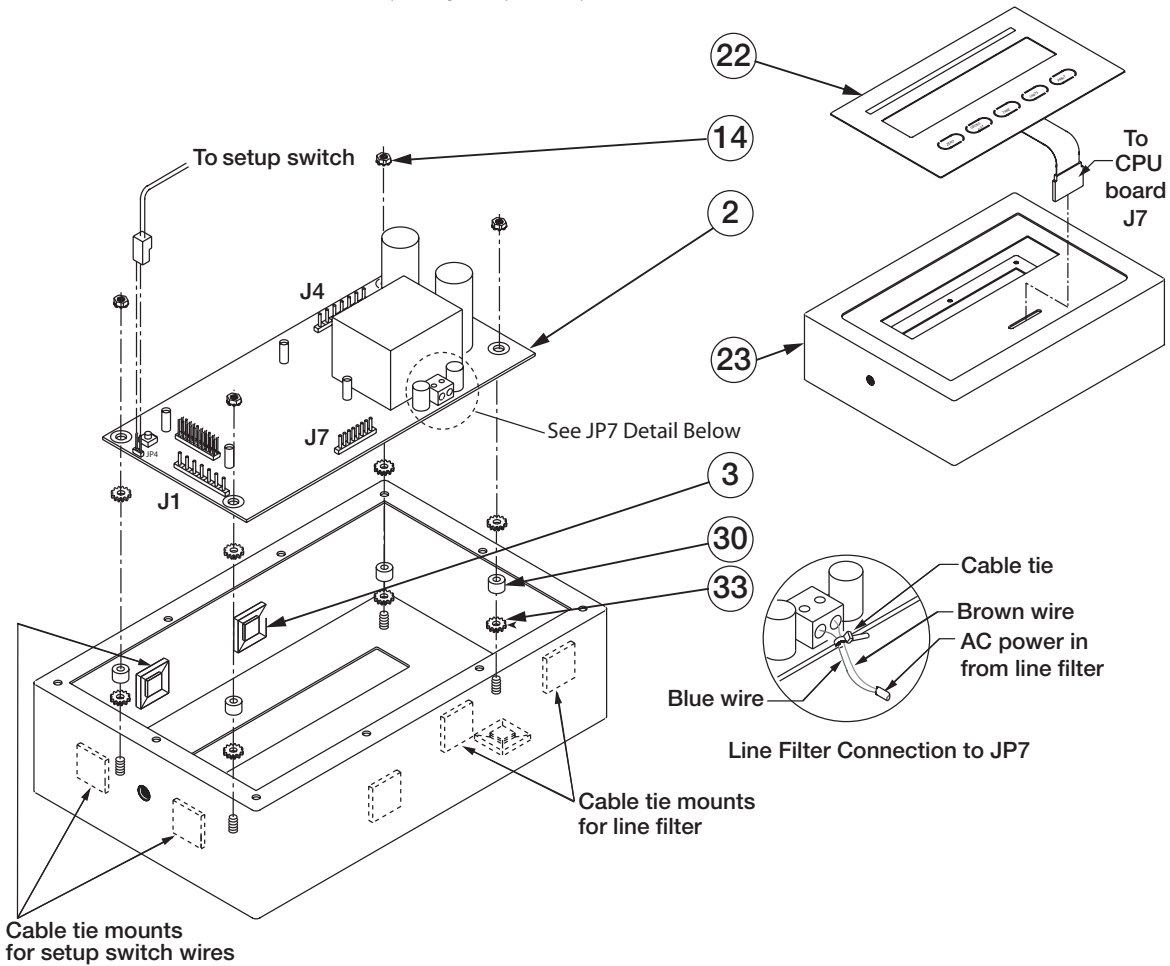
Enclosure & CPU Board



Part Number/Price

Ref#	Part#	Description	Price
2	52211	Display and CPU board assembly, 115VAC	Consult
Components of Part# 52211			
	71631	IC, A/D	Consult
	53848	Fuse, 200 mA, 115VAC	Consult
	16639	Capacitor 4,700 uF at 16V	Consult
	87035	Capacitor 10,000 uF at 16V	Consult
	64742	RS-232 transceiver	Consult
2	52210	Display and CPU board assembly, 230VAC	Consult
Components of Part# 52210			
	71631	IC, A/D	Consult
	53881	Fuse, 100 mA, 230VAC	Consult
	16639	Capacitor 4,700 uF at 16V	Consult
	87035	Capacitor 10,000 uF at 16V	Consult
	64742	RS-232 transceiver	Consult
3	15365	Board mounting spacers	Consult
14	14621	Nut, KEP, 6-32 NC hex	Consult
22	50556	Overlay membrane panel	Consult
23	50555	Enclosure	Consult
30	15650	Cable tie mounts	Consult
33	15131	Lock washers, external tooth, No. 6, Type A	Consult

(See Diagram IQ plus 355-B)



IQ plus 355-B

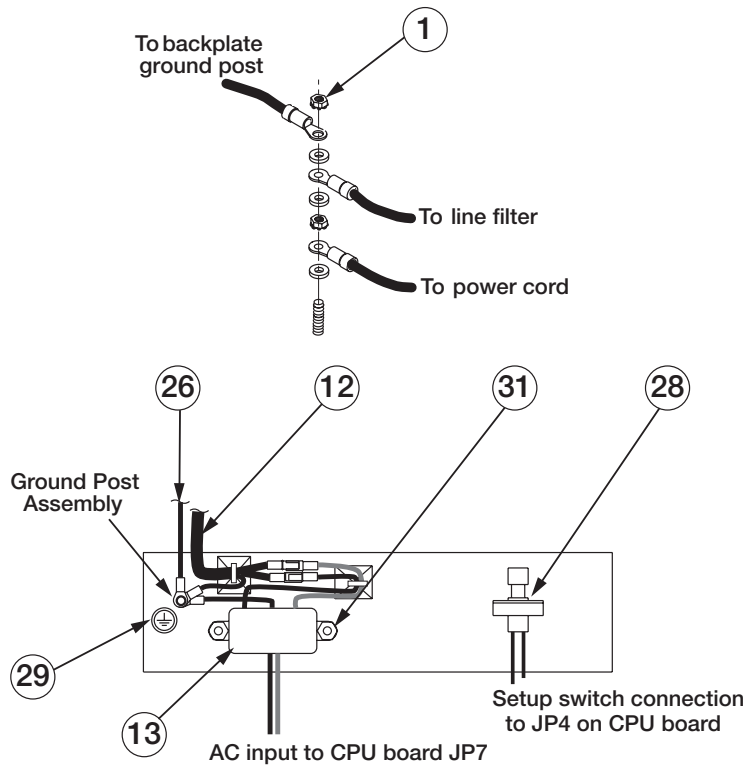
IQ plus® 355 Digital Weight Indicator

Line Filter & Ground Post Assembly

Part Number/Price

Ref#	Part#	Description	Price
1	14626	Nut, KEP, 8-32 NC hex	Consult
12	41965	Power cord assembly, 115VAC	Consult
12	45254	Power cord assembly, 230VAC	Consult
13	41964	Line filter assembly	Consult
26	45043	Ground wire, 4", No. 8	Consult
28	51974	Set-up switch assembly	Consult
29	16892	Ground/earth cable	Consult
31	45302	Line filter standoffs	Consult

(See Diagram IQ plus 355-C)



IQ plus 355-C