

IQ plus® 390 DC Digital Weight Indicator

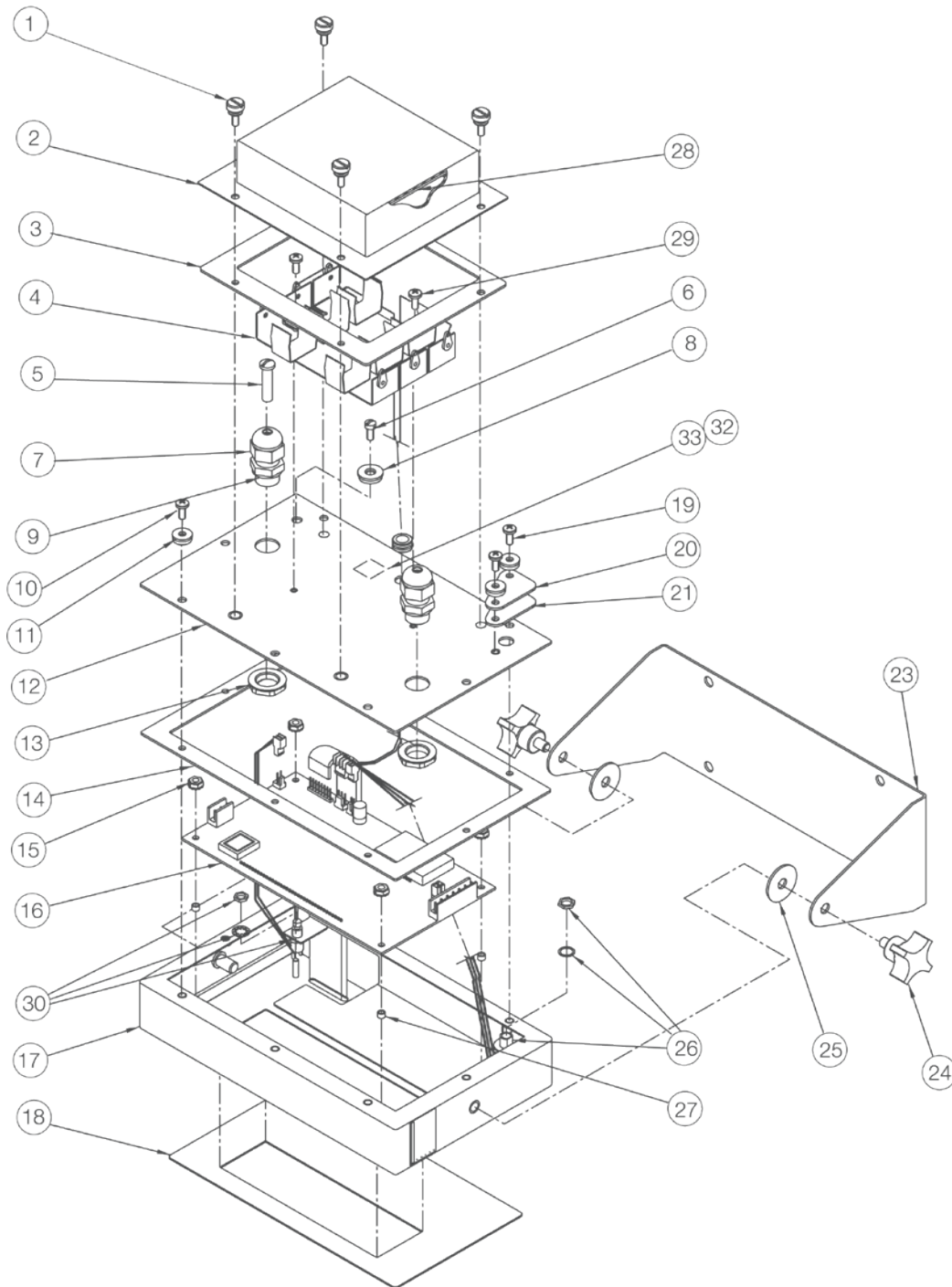


Part Number/Price

Ref#	Part#	Description	Price
	49978	AC adapter, 115VAC	Consult
	130185	AC adapter, 230VAC	Consult
	66730	Filter, snap-on, ferrite, CE	Consult
	48820	Installation manual	Consult
	66785	Parts kit	Consult
Components of Part# 66785			
	14626	Nut, KEP 8-32 NC x 3/8"	Consult
	14862	Screw, 8-32 NC x 3/8"	Consult
	15133	Washer, lock, No. 8, type A	Consult
	15888	Terminal block, 3 position	Consult
	23165	Terminal block, 7 position	Consult
	30623	Screw, 8-32 NC x 7/16	Consult
	42149	Bumpers, rubber	Consult
	94422	Label, capacity	Consult
	45042	Washer, bonded sealing, SST	Consult
	49958	Label, identification	Consult
	67550	Clamp, ground cable shield	Consult
1	49520	Battery cover thumb screws	Consult
2	47939	Battery cover	Consult
3	49557	Battery cover gasket	Consult
4	49909	Battery holder assembly	Consult
5	19538	Cable-grip plug	Consult
6	42640	Set-up switch access screw, 1/4" x 28 NF x 1/4"	Consult
7	15626	Cable, grips PG9	Consult
8	44676	Sealing washer for set-up switch access screw, # 14	Consult
9	30375	Nylon seal rings for cable grips	Consult
10	14862	Screws, 8-32 NC x 3/8"	Consult
11	45042	Sealing washers, #8	Consult
12	47940	Enclosure backplate	Consult
13	15627	Lock nuts, PCN9	Consult
14	49558	Backplate gasket	Consult
15	14626	Nut, KEP, 6-32 NC hex	Consult
16	49954	Display and CPU board assembly	Consult
Components of Part# 49954			
	47137	Display, 6-digit	Consult
	49743	EPROM (for CPU part #48816)	Consult
	65519	EPROM (for CPU part #52380)	Consult
	71631	IC, A/D	Consult
17	47941	Enclosure	Consult
18	48790	Overlay membrane panel	Consult
19	49953	Screw, 8-32 NC x 1/2"	Consult
20	49906	AC adapter port cover	Consult
21	49904	AC adapter port gasket	Consult
23	53073	Tilt stand	Consult
24	30342	Four-cornered wing knobs for tilt stand (old style)	Consult
24	68403	Two-cornered wing knobs for tilt stand (new style)	Consult
25	15144	Nylon washers for tilt stand, 1/4" x 1" x 1/16"	Consult
26	49908	AC adapter connector assembly	Consult
27	15365	Brass spacers for board mounting	Consult
28	49905	Battery cover pad	Consult
29	49953	Screw, 8-32 NC x 1/2"	Consult
30	49910	Set-up switch assembly	Consult
32	15631	Cable tie	Consult
33	15650	Cable tie mount	Consult

(See Diagram IQ plus 390-DC-A)

IQ plus® 390 DC Digital Weight Indicator



IQ plus 390-DC-A

Indicators/Controllers