

iQUBE²® Digital Diagnostic Junction Box

Junction Boxes

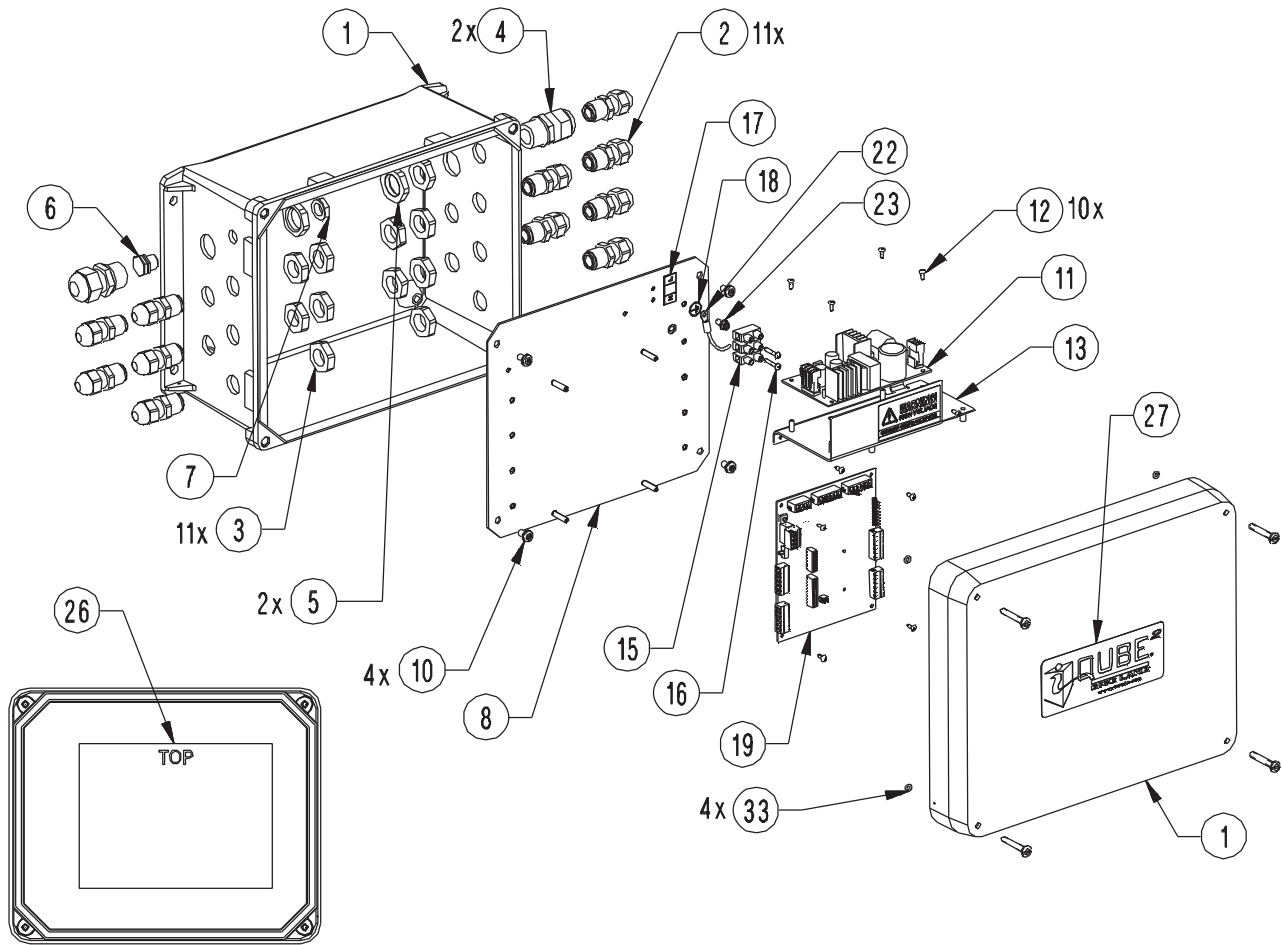


Part Number/Price

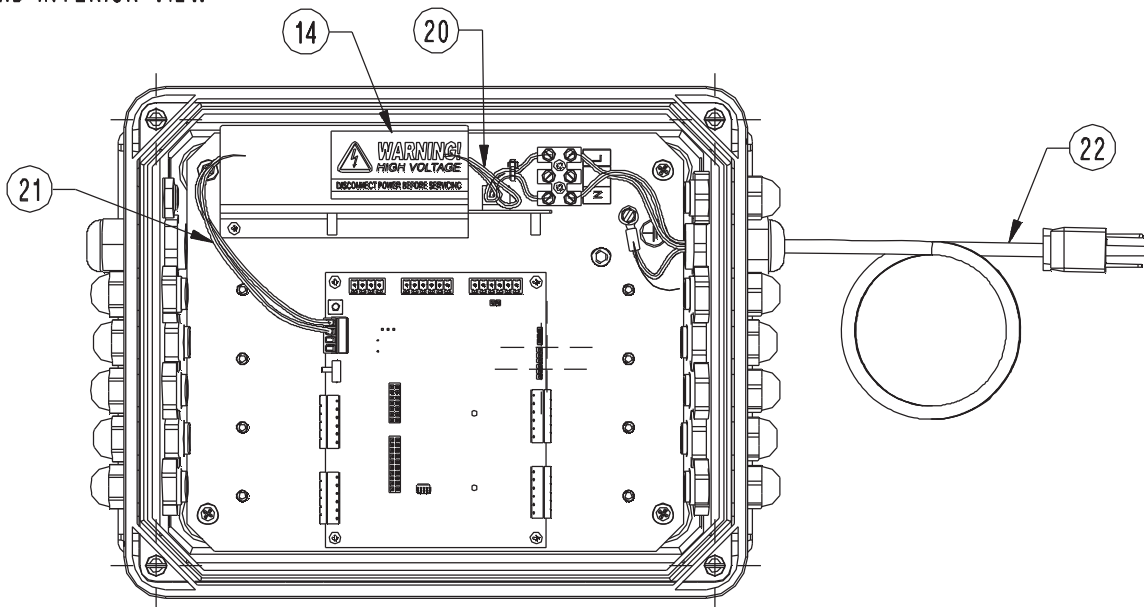
Ref#	Part#	Description	Price
1	106389	10 x 8 x 4 stainless steel enclosure (1)	Consult
	106388	Large FRP enclosure (1)	Consult
	109528	Small FRP enclosure (1)	Consult
2	15655	Cord-grips, 3/8 NPT (11-small; 17-large)	Consult
3	15656	Lock nuts, 3/8 NPT (11-small; 17-large)	Consult
4	15628	Cord-grips, 1/2 NPT (2)	Consult
5	15630	Lock nuts, 1/2 NPT (2)	Consult
6	88733	Breather vent (1)	Consult
7	88734	Breather vent nut (1)	Consult
8	106391	Component plate, small enclosure (1)	Consult
	109153	Component plate, large enclosure (1)	Consult
9	109446	Ground wire, 9in (1)	Consult
10	109526	Machine screws, 10-32 NC x 3/8 (4)	Consult
11	212841	7.5V switching power supply (1)	Consult
12	14825	Machine screws, 4-40 NC x 1/4 (10-small; 12-large)	Consult
13	107026	Power supply mounting bracket (1)	Consult
14	16861	High voltage warning label (1)	Consult
15	44744	3-position terminal block (1)	Consult
16	14834	Machine screws, 4-40 NC x 5/8 (2)	Consult
17	109319	AC power connection label (1)	Consult
19	106390	CPU board (1)	Consult
	108433	CPU board with connectors	Consult
20	109142	AC input cable assembly (1)	Consult
21	109145	CPU board power cable assembly (1)	Consult
22	109581	Power cord assembly, 120VAC (1)	Consult
23	109529	Machine screw, 8-32 NC x 3/8 (1)	Consult
26	109344	iQUBE ² connection label (1)	Consult
27	109343	iQUBE ² label (1)	Consult
33	81268	O-rings (4-FRP enclosures only)	Consult
	85791	Main power supply fuse, 2.5 amp 5 x 20 mm	Consult
	80869	CPU board fuse, 1.25 amp TR5	Consult
	112262	ReFlash cable, rev. F and newer	Consult
	SZ14469	ReFlash cable, rev. E and older	Consult
	106113	Manual, iQUBE ² installation manual	Consult
	108579	RS232/RS485 board	Consult
	77142	Ethernet TCP/IP board	Consult
	108671	Wireless LAN 802.11 B/G board	Consult
	93245	USB port board	Consult
	77143	Fiber optic board	Consult
	109148	4-Channel Parts Kit Contents	Consult
		14861 Machine screws, 8-32 NC x 3/8 (qty. 8)	Consult
		15134 Lock washers, no. 8 Type A (qty. 8)	Consult
		15631 Cable ties, 3 in (qty. 5)	Consult
		15665 Reducing glands, 1/2 NPT (qty. 2)	Consult
		19538 Slotted posts, 1/4 x 1 (qty. 8)	Consult
		53075 Ground cable clamps (qty. 8)	Consult
		66730 Ferrite EMI suppression filters (qty. 4)	Consult
		76513 4-position screw terminal connector (qty. 1)	Consult
		76514 6-position screw terminal connectors (qty. 6)	Consult
		94422 Capacity label (qty. 1)	Consult
	110333	8-Channel Parts Kit Contents	Consult
		14861 Machine screws, 8-32 NC x 3/8 (qty. 12)	Consult
		15134 Lock washers, no. 8 Type A (qty. 12)	Consult
		15631 Cable ties, 3 in (qty. 5)	Consult
		15665 Reducing glands, 1/2 NPT (qty. 2)	Consult
		19538 Slotted posts, 1/4 x 1 (qty. 10)	Consult
		53075 Ground cable clamps (qty. 12)	Consult
		66730 Ferrite EMI suppression filters (qty. 8)	Consult
		76513 4-position screw terminal connector (qty. 2)	Consult
		76514 6-position screw terminal connectors (qty. 12)	Consult
		94422 Capacity label (qty. 1)	Consult

(See Diagram iQUBE² A)

iQUBE² Digital Diagnostic Junction Box



LID INTERIOR VIEW



BOX INTERIOR VIEW

iQUBE² A