

# iQUBE<sup>2</sup>® Digital Diagnostic Junction Box

Junction Boxes

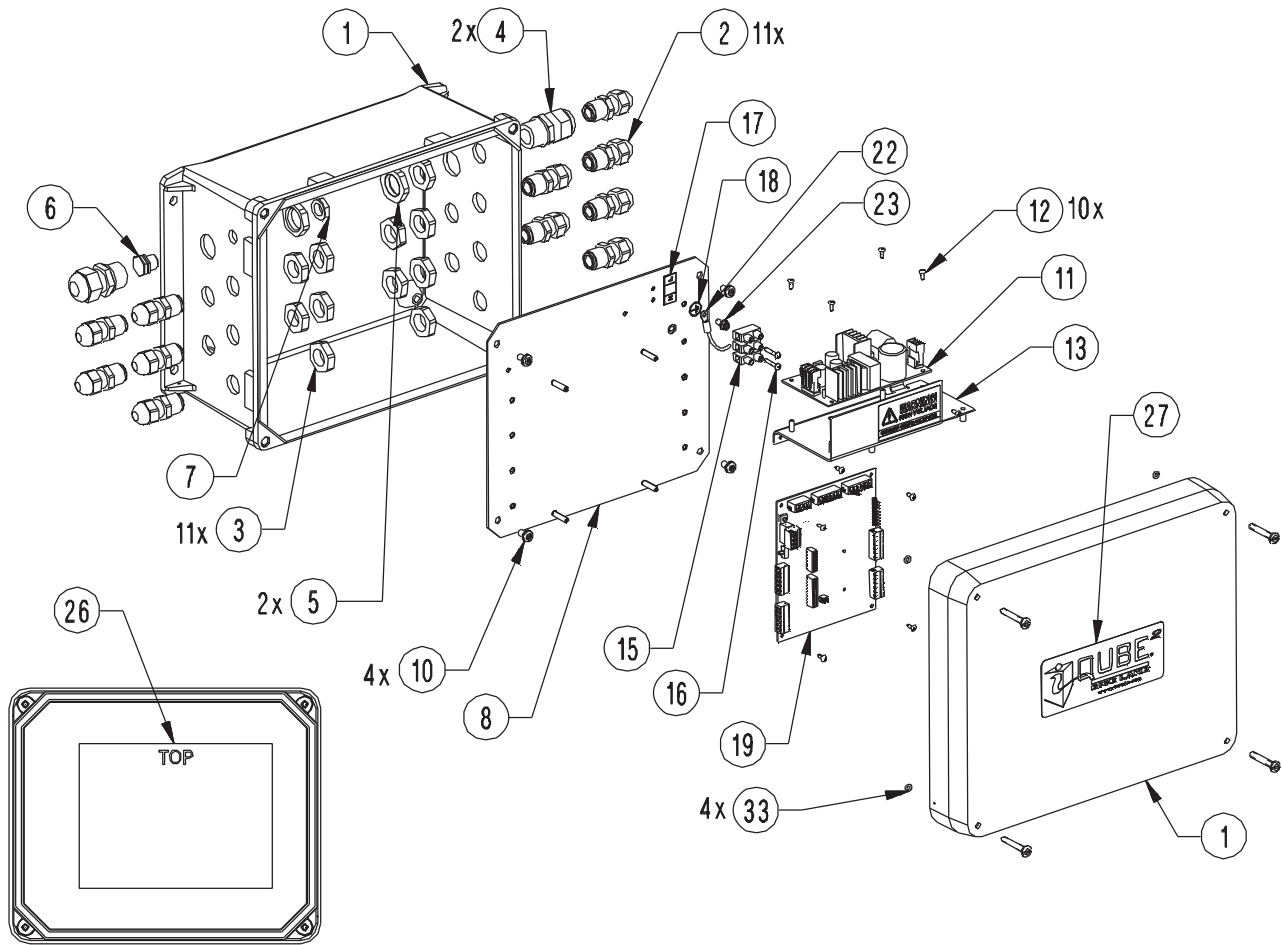


## Part Number/Price

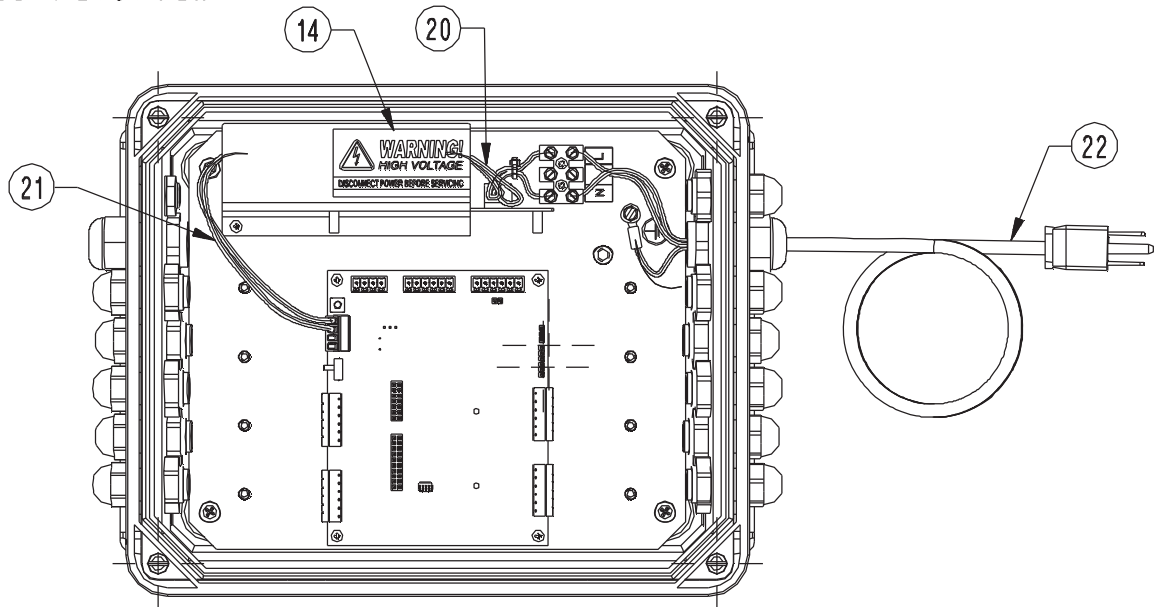
Ref#	Part#	Description	Price
1	<b>106389</b>	10 x 8 x 4 stainless steel enclosure (1)	Consult
	<b>106388</b>	Large FRP enclosure (1)	Consult
	<b>109528</b>	Small FRP enclosure (1)	Consult
2	<b>15655</b>	Cord-grips, 3/8 NPT (11-small; 17-large)	Consult
3	<b>15656</b>	Lock nuts, 3/8 NPT (11-small; 17-large)	Consult
4	<b>15628</b>	Cord-grips, 1/2 NPT (2)	Consult
5	<b>15630</b>	Lock nuts, 1/2 NPT (2)	Consult
6	<b>88733</b>	Breather vent (1)	Consult
7	<b>88734</b>	Breather vent nut (1)	Consult
8	<b>106391</b>	Component plate, small enclosure (1)	Consult
	<b>109153</b>	Component plate, large enclosure (1)	Consult
9	<b>109446</b>	Ground wire, 9in (1)	Consult
10	<b>109526</b>	Machine screws, 10-32 NC x 3/8 (4)	Consult
11	<b>76556</b>	7.5V switching power supply (1)	Consult
12	<b>14825</b>	Machine screws, 4-40 NC x 1/4 (10-small; 12-large)	Consult
13	<b>107026</b>	Power supply mounting bracket (1)	Consult
14	<b>16861</b>	High voltage warning label (1)	Consult
15	<b>44744</b>	3-position terminal block (1)	Consult
16	<b>14834</b>	Machine screws, 4-40 NC x 5/8 (2)	Consult
17	<b>109319</b>	AC power connection label (1)	Consult
19	<b>106390</b>	CPU board (1)	Consult
	<b>108433</b>	CPU board with connectors	Consult
20	<b>109142</b>	AC input cable assembly (1)	Consult
21	<b>109145</b>	CPU board power cable assembly (1)	Consult
22	<b>109581</b>	Power cord assembly, 120 VAC (1)	Consult
23	<b>109529</b>	Machine screw, 8-32 NC x 3/8 (1)	Consult
26	<b>109344</b>	iQUBE <sup>2</sup> connection label (1)	Consult
27	<b>109343</b>	iQUBE <sup>2</sup> label (1)	Consult
33	<b>81268</b>	O-rings (4-FRP enclosures only)	Consult
	<b>85791</b>	Main power supply fuse, 2.5 amp 5 x 20 mm	Consult
	<b>80869</b>	CPU board fuse, 1.25 amp TR5	Consult
	<b>112262</b>	ReFlash cable, rev. F and newer	Consult
	<b>SZ14469</b>	ReFlash cable, rev. E and older	Consult
	<b>106113</b>	Manual, iQUBE <sup>2</sup> installation manual	Consult
	<b>108579</b>	RS232/RS485 board	Consult
	<b>77142</b>	Ethernet TCP/IP board	Consult
	<b>108671</b>	Wireless LAN 802.11 B/G board	Consult
	<b>93245</b>	USB port board	Consult
	<b>77143</b>	Fiber optic board	Consult
	<b>109148</b>	<b>4-Channel Parts Kit Contents</b>	<b>Consult</b>
		<b>14861</b> Machine screws, 8-32 NC x 3/8 (qty. 8)	Consult
		<b>15134</b> Lock washers, no. 8 Type A (qty. 8)	Consult
		<b>15631</b> Cable ties, 3 in (qty. 5)	Consult
		<b>15665</b> Reducing glands, 1/2 NPT (qty. 2)	Consult
		<b>19538</b> Slotted posts, 1/4 x 1 (qty. 8)	Consult
		<b>53075</b> Ground cable clamps (qty. 8)	Consult
		<b>66730</b> Ferrite EMI suppression filters (qty. 4)	Consult
		<b>76513</b> 4-position screw terminal connector (qty. 1)	Consult
		<b>76514</b> 6-position screw terminal connectors (qty. 6)	Consult
		<b>94422</b> Capacity label (qty. 1)	Consult
	<b>110333</b>	<b>8-Channel Parts Kit Contents</b>	<b>Consult</b>
		<b>14861</b> Machine screws, 8-32 NC x 3/8 (qty. 12)	Consult
		<b>15134</b> Lock washers, no. 8 Type A (qty. 12)	Consult
		<b>15631</b> Cable ties, 3 in (qty. 5)	Consult
		<b>15665</b> Reducing glands, 1/2 NPT (qty. 2)	Consult
		<b>19538</b> Slotted posts, 1/4 x 1 (qty. 10)	Consult
		<b>53075</b> Ground cable clamps (qty. 12)	Consult
		<b>66730</b> Ferrite EMI suppression filters (qty. 8)	Consult
		<b>76513</b> 4-position screw terminal connector (qty. 2)	Consult
		<b>76514</b> 6-position screw terminal connectors (qty. 12)	Consult
		<b>94422</b> Capacity label (qty. 1)	Consult

(See Diagram iQUBE<sup>2</sup> A)

# iQUBE<sup>2</sup> Digital Diagnostic Junction Box



LID INTERIOR VIEW



BOX INTERIOR VIEW

iQUBE<sup>2</sup> A