

**NEW**



# Ishida Uni-10

PC-based, Price Computing Scale/Printer/Color Touchscreen

The Uni-10's robust design, and large removable cassette, fits the needs of busy users. This PC-based scale includes a 12-inch LED backlit operator display and a 7-inch LED backlit customer display for stunning promotional images and videos. The PC-based technology together with a crystal-sharp LED display, provide more marketing capabilities such as video with sound and product pairing promotions.

The Uni-10 Series bench scale is ideal for both backroom production and the countertop.

## Specifications

### Scale Unit

#### Capacity/Division:

- 0-15 lb x 0.005 lb / 15-30 lb x 0.01 lb (Multi interval)
- 0-30 lb x 0.01 lb (Single range)
- 0-6 kg x 0.002 kg / 6-15 kg x 0.005 kg (Multi interval)
- 0-15 kg x 0.005 kg (Single range)

#### Scale Platter Size:

- Bench / Pole: 16.5 x 10.4 in (420 x 263 mm)
- Hanging: 14.6 x 10.6 in (370 x 270 mm)

### Display

#### Size:

- Operator Side: Backlite 12.1 in XGA (1024 x 768) TFT Color LCD
- Customer Side: Backlite 7 in WVGA (800 x 480) TFT Color LCD

#### Systems:

- Resistive thin film type analogue touch panel

### Printer

#### Media Type:

- Die-cut label; Continuous label/Receipt

#### Media Size:

- Outside Diameter of roll: Max. 5.0 in (125 mm) or less
- Inner core diameter: 40 mm +/- 1 mm (1.6 in)
- Width: 30-80 mm (+2 mm with backing paper)
- Length: 20-300 mm

#### Cassette:

- Front-load type label cassette

#### Thermal Head:

- 3 in

#### Resolution:

- 12 dot/mm (300 dpi)

#### Speed of Printing:

- MAX: 120 mm/sec

#### Printing Width:

- MAX: 78 mm

#### Printing Length:

- MAX: 300 mm

#### Bar Code Type:

- JAN, EAN, EAN128, CODE128, UPC, ITF, GS1 and QR

#### Control

#### I/O Port:

- TCP/IP and USB

#### OS:

- Linux

#### Communication:

- Ethernet, built-in RF bridge (WEP/WPA/WPA2)

#### Approvals:

- NTEP CC 22-014
- cULus



## Standard Features

- Top Seller (Scheduled/Realtime)
- Time Stamp for Data credibility
- Production Transaction
- Designers' fonts
- 2020 Nutrition
- Data Distribution
- Color printer access
- Secured remote connectivity
- 6,000 characters per item support
- Calendar entry for quick date change
- Video functions
- DHCP connectivity
- Dynamic search
- Flexible barcode structures
- Multi-department
- OS Security Maintenance
- Control for 3rd party driver
- Flexible and expanded preset key layout
- Adjustable customer side message
- Logo checking field
- Additional Information display key (ex. Can be used for Allergen search, Receipt, Suitable wine.)
- Up to 99 USB backup folders

## Options

- Additional label cassette

PART #	MODEL	WIRELESS	CAPACITY
220028	Bench	√	0 to 15 x 0.005lb / 15 to 30 x 0.01 lb
223573	Pole	√	0 to 15 x 0.005lb / 15 to 30 x 0.01 lb



Customer Display



Large Touchscreen

# Ishida Uni-10

PC-based, Price Computing Scale/Printer/Color Touchscreen

PART #	MODEL/DESCRIPTION	WIRELESS	CAPACITY	EST. SHIP WEIGHT	PRICE
220028	Uni-10 Bench	√	0 to 15 × 0.005 lb / 15 to 30 × 0.01 lb	35 lb	Consult
223573	Uni-10 Pole	√	0 to 15 × 0.005 lb / 15 to 30 × 0.01 lb	38 lb	Consult

## Options/Accessories

46916	Produce platter (L × W × D) 11.5 × 17 × 0.7 in				Consult
46917	Fish platter (L × W × D) 11.5 × 17 × 0.7 in				Consult
	Linerless				

## Communication

152628*	ScaleLink Pro 5 license file, one license required per computer (version 2.62 or higher required)				Consult
78860	Cross cable, Ethernet CAT5, 6 ft				Consult

## Manuals and Service Tools

118188**	Uni Series support USB (contains manuals, training videos and libraries)				Consult
160906	USB flash memory, 1 GB				Consult
222150**	User manual				Consult
222151**	Service manual				Consult
Consult**	Installation manual				Consult

## Label Stock

Please refer to labels section of this catalog for ordering information and case quantity pricing

\*Software key is provided after online registration is completed

\*\*Manuals and software programs can be downloaded from the distributor section of [www.ricelake.com/retail](http://www.ricelake.com/retail)

## Dimensions

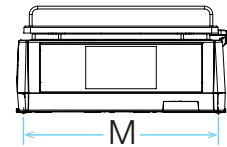
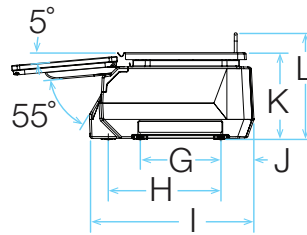
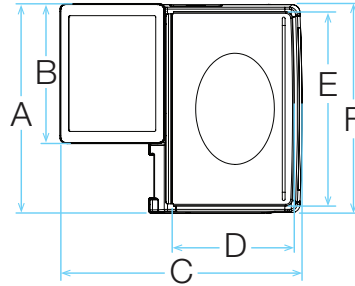
Please see next page for model dimensions.

# Ishida Uni-10

Price Computing Scale/Printer/Color Touchscreen

## DIMENSIONS BENCH

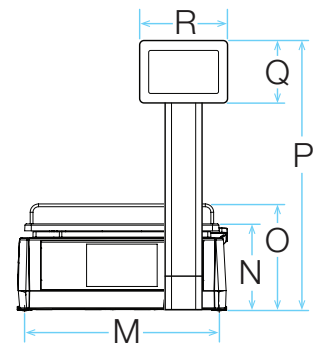
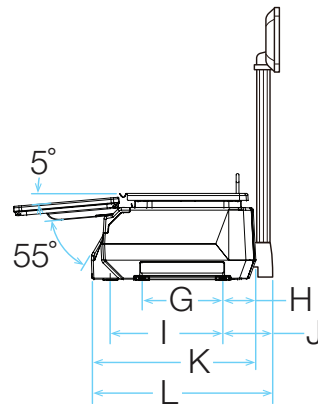
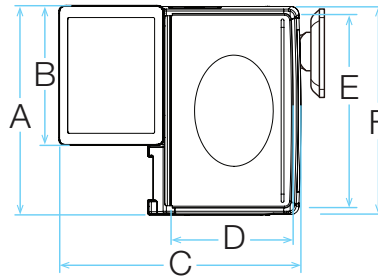
<b>A</b>	17.8in (453mm)	<b>H</b>	9.6in (243mm)
<b>B</b>	11.9in (303mm)	<b>I</b>	14.0in (355mm)
<b>C</b>	20.6in (523mm)	<b>J</b>	2.8in (72mm)
<b>D</b>	10.4in (263mm)	<b>K</b>	7.4in (188mm)
<b>E</b>	16.5in (420mm)	<b>L</b>	9.1in (231mm)
<b>F</b>	17.7in (450mm)	<b>M</b>	16.5in (420mm)
<b>G</b>	6.9in (174mm)		



Bench

## DIMENSIONS POLE

<b>A</b>	17.8in (453mm)	<b>J</b>	4.3in (110mm)
<b>B</b>	11.9in (303mm)	<b>K</b>	14.0in (355mm)
<b>C</b>	22.7in (576mm)	<b>L</b>	15.5in (394mm)
<b>D</b>	10.4in (263mm)	<b>M</b>	16.5in (420mm)
<b>E</b>	16.5in (420mm)	<b>N</b>	7.4in (188mm)
<b>F</b>	17.7in (450mm)	<b>O</b>	9.1in (231mm)
<b>G</b>	6.9in (174mm)	<b>P</b>	23.1in (586mm)
<b>H</b>	2.8in (72mm)	<b>Q</b>	5.4in (136mm)
<b>I</b>	9.6in (243mm)	<b>R</b>	7.6in (192mm)



Pole