



Rear discharge

## Ishida WM-Ai B-Type

Automatic Wrapper with Infeed Conveyor

New from Ishida, the WM-Ai automatic wrapper with infeed conveyor combines all the functions of the renowned WM-Ai wrapper with even more efficiency in a sleek, high-tech system. The WM-Ai wrapper and indexing infeed conveyor integrates conveying, weighing, wrapping, and labeling into a single compact unit. Making it the ideal solution for wide-variety small-lot production.

### Standard Features

- Automatic indexing in-feed
- Right or rear discharge
- Weigh/wrap/label up to 35 packs/minute
- Automatic tray verification and centering
- Variable speed in-feed
- Automatic film selection
- Film pre-stretching function
- Front loading film with auto set
- Adjustable touchscreen viewing angle
- Large, 12.1 in LCD color touchscreen
- 19 tactile keys
- Static and DHCP TCP/IP Ethernet communication
- Wrapping Capacity: 13 × 0.005 lb or 13 × 0.01 lb
- Robotic label application with user selectable positioning
- Stores and prints graphics for custom labeling
- Safe handling instructions, country of origin, 2020 nutrition and more
- Large 9 in diameter label roll and 3 in wide thermal head
- 2 GB memory
- Compatible with third-party communication software, including Invatron's PLUM™ Scale Management, ADC's InterScale™ and Droste's PCScale Manager

### Options

- Scale Link Pro 5 product management software
- Internal RF communications
- Washdown cover

### Specifications

**Cycle Speed:**

Weigh/wrap/label: up to 35 ppm  
 Wrap: up to 35 ppm  
 Label: 35+ ppm

**Wrapping Capacity:**

13 × 0.005 lb or 13 × 0.01 lb

**Wrapping Size:**

Width: 3.7 to 14.9 in (95 to 380 mm)  
 Depth: 3.1 to 10.2 in (80 to 260 mm)  
 Height: 0.4 to 5.1 in (10 to 130 mm)  
 Tray Height: 2.7 in max (70 mm)

**Display:**

12.1 in (307 mm) color touchscreen

**Film:**

Two rolls, automatic film selection

**Power:**

200 to 240V (1 phase)  
 Standard 20A circuit

**Power Consumption:**

Stand-by: 360W  
 In operation: 1800W (max)

**Main Label Size:**

Max width: 3.2 in (80 mm)  
 Max length: 4.1 in (105 mm)  
 Max length for automatic application: 3.4 in (85 mm)

**Day Glow Label Size:**

25 to 64 mm wide  
 25 to 64 mm long

**Main Label Roll:**

9.0 in (230 mm) max O.D.  
 3.0 in (77 mm) min I.D.

**Film Size:**

Length: 3,280 ft (1,000 m)  
 Width: 9.8 × 21.0 in (250 to 533 mm)  
 Outside diameter: 5.9 in (150 mm)

**Print Items:**

Item name, unit price, weight, total price, special message, bar code, ingredients, tare, pack time, nutrition, logos

**Operating Temperature:**

41 °F to 95 °F (5 °C to 35 °C)  
 20% to 80% relative humidity

**Classification:**

NTEP CC 06-029A5

**Warranty:**

One-year limited  
 Based on volume of 2,800 packs per day using recommended film



PART #	MODEL	CAPACITY
198844	WM-Ai, fully automatic wrapper/integrated printer/color touchscreen, auto infeed	13 x 0.005 lb or 13 x 0.01 lb
198846	WM-Ai, fully automatic wrapper with Day glow printer, integrated printer/color touchscreen, auto infeed	13 x 0.005 lb or 13 x 0.01 lb

Please refer to the labels section of this catalog for ordering information and case quantity pricing.



Right discharge

# Ishida WM-Ai B-Type

Automatic Wrapper with Infeed Conveyor

PART #	MODEL/DESCRIPTION	CAPACITY	EST. SHIPPING WEIGHT	PRICE
198844	WM-Ai, fully automatic wrapper/integrated printer/color touchscreen, auto infeed	13 x 0.005lb or 13 x 0.01 lb	Two pallets: 925lb, 4ft x 4ft x 6ft H 375lb, 4ft x 6ft x 4ft H	Consult
198846	WM-Ai, fully automatic wrapper with Day glow printer, integrated printer/color touchscreen, auto infeed	13 x 0.005lb or 13 x 0.01 lb	Two pallets: 1105lb, 4ft x 4ft x 7ft H 375lb, 4ft x 6ft x 4ft H	Consult

## Options/Accessories

197187	Table, Pack-off 3ft w/fixed 1ft Infeed and Package Stop			Consult
192307	Table, Pack-off 5ft w/fixed 1ft Infeed and Package Stop			Consult
188046	Label Dispenser, POP for use with Pack-off table			Consult
104293	Rotary bin, 28in x 8in, adjustable height			Consult
178069	Day Glow labeler kit for use with 3in core POP labels			Consult
201643	Cover, plastic washdown (W x D x H) 52in x 55in x 62in			Consult
174110	SD memory card, 2 GB			Consult
205960	40 x 40 mm POP labels 5 RPC 2300LPR			Consult

## Communication

170990	Internal RF option 2.4 Ghz			Consult
160259**	ScaleLink Pro 5 Lite software CD, license file required and purchased separately (see page 72)			Consult
152628*	ScaleLink Pro 5 license file, one license required per computer			Consult
78860	Cross cable, Ethernet CAT5, 6ft			Consult

## Service Tools

155149	Camera calibration block, white poly, (W x D x H) 200mm x 130mm x 30mm			Consult
160906	USB flash memory, 1 GB			Consult
95540	Service key			Consult
176133	Harness, C2 Film Feeder Extension Cable			Consult

## Wrapping Film

202534	350 mm x 1,000 m (13.8 in x 3,280 ft) one box of two rolls	25 lb	Consult
203759	400 mm x 1,000 m (15.75 in x 3,280 ft) one box of two rolls	28 lb	Consult
203760	450 mm x 1,000 m (17.72 in x 3,280 ft) one box of two rolls	35 lb	Consult
202535	500 mm x 1,000 m (19.7 in x 3,280 ft) one box of two rolls	38 lb	Consult

\*Software key is provided after online registration is completed

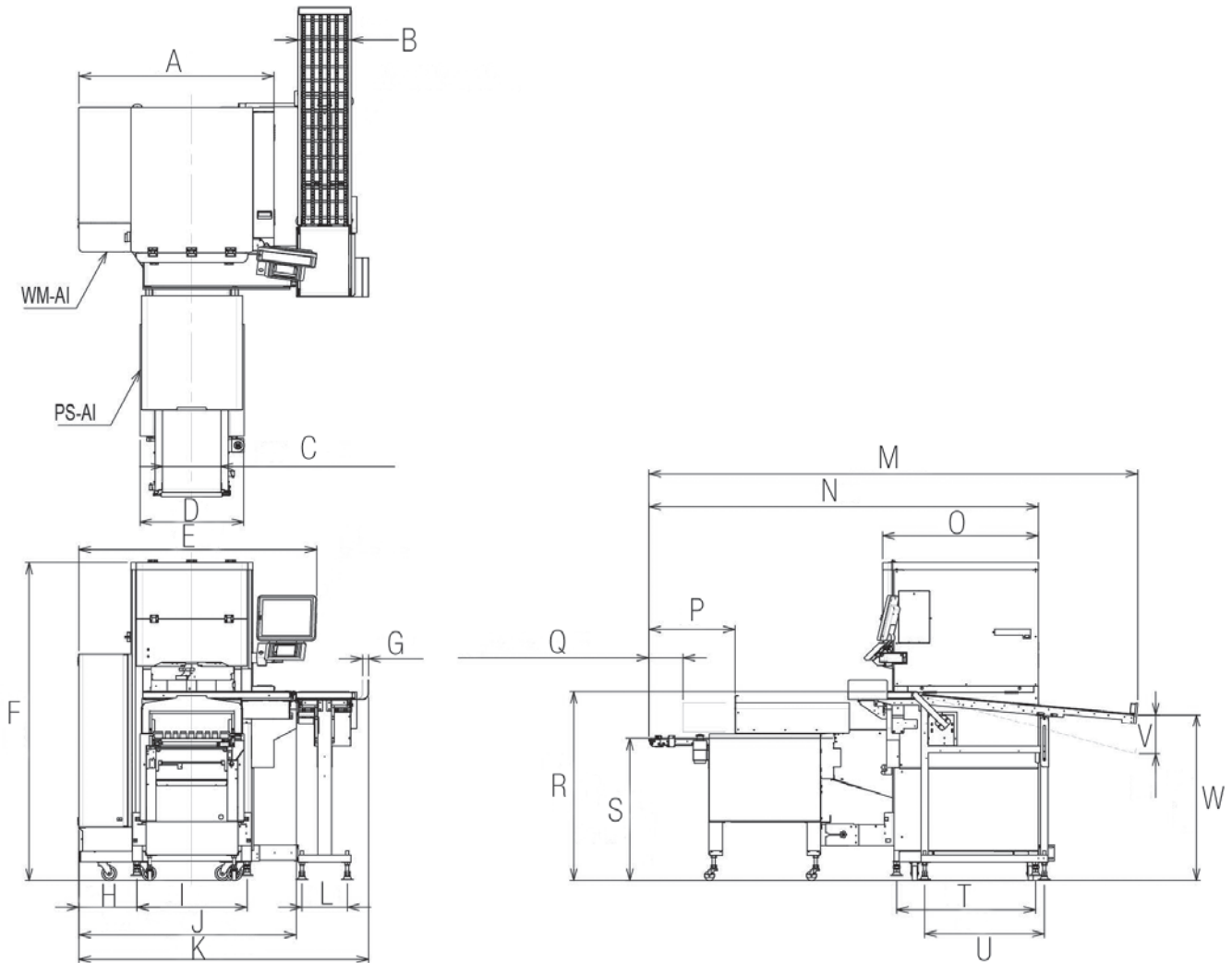
\*\*Manuals and software programs can be downloaded from the distributor section of [www.ricelake.com/retail](http://www.ricelake.com/retail)

### WM-Ai Series Financial Terms and Conditions

Our financial services group reviews open account requests. Upon approval of open account terms, orders may be subject to the following payment terms: 20% down with the order

# Ishida WM-Ai B-Type

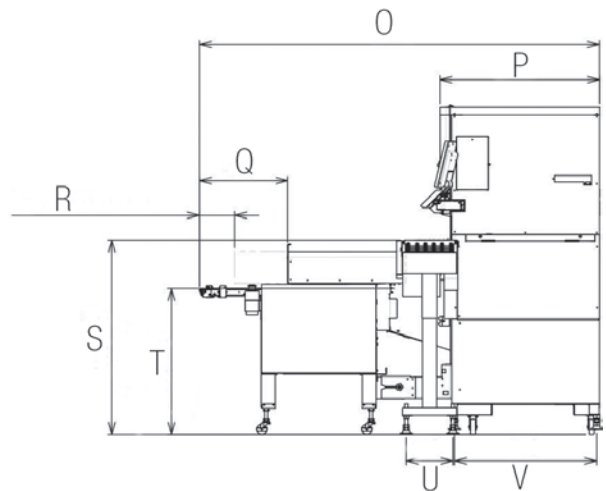
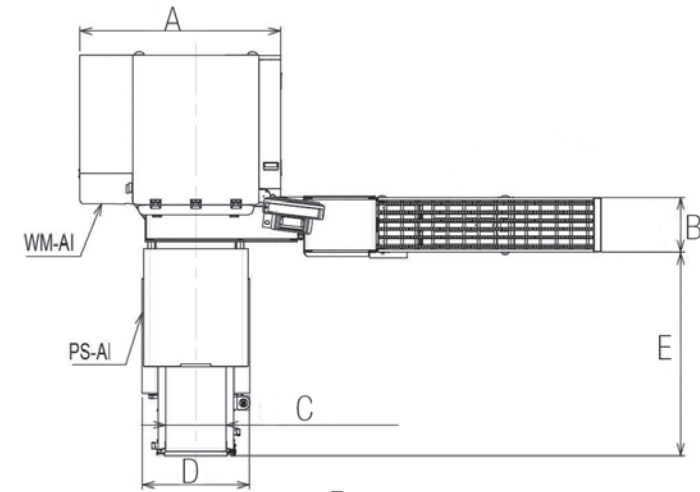
DIMENSIONS											
<b>A</b>	39.3in (1,000mm)	<b>E</b>	47.8in (1,215mm)	<b>I</b>	22.2in (565mm)	<b>M</b>	MAX 98.8in (2,510mm)	<b>Q</b>	6.9in (175mm)	<b>U</b>	24.1in (612mm)
<b>B</b>	10.7in (272mm)	<b>F</b>	64.4 + 2.0in (1,635 + 50mm)	<b>J</b>	44.1in (1,120mm)	<b>N</b>	78.7in (2,000mm)	<b>R</b>	38.3 + 2.0in (973 + 50mm)	<b>V</b>	7.9in (200mm)
<b>C</b>	11.8in (300mm)	<b>G</b>	1.2in (30mm)	<b>K</b>	MAX 58.6in (1,485mm)	<b>O</b>	31.5in (800mm)	<b>S</b>	28.9 + 2.0in (733 + 50mm)	<b>W</b>	33.5 + 2.0in (850 + 50mm)
<b>D</b>	21.1in (535mm)	<b>H</b>	11.8in (299mm)	<b>L</b>	9.1in (230mm)	<b>P</b>	17.3in (438mm)	<b>T</b>	28.0in (710mm)		



## Rear Exit

# Ishida WM-Ai B-Type

DIMENSIONS											
<b>A</b>	39.3in (1,000mm)	<b>E</b>	39.8in (1,012mm)	<b>I</b>	11.8in (299mm)	<b>M</b>	7.9in (200mm)	<b>Q</b>	17.3in (2,261mm)	<b>U</b>	9.1in (232mm)
<b>B</b>	10.7in (272mm)	<b>F</b>	MAX 102.6in (2,605mm)	<b>J</b>	22.2in (565mm)	<b>N</b>	33.3 + 2.0in (850 + 50mm)	<b>R</b>	6.9in (175mm)	<b>V</b>	28.0in (710mm)
<b>C</b>	11.8in (300mm)	<b>G</b>	47.8in (1,215mm)	<b>K</b>	44.1in (1,120mm)	<b>O</b>	78.7in (2,000mm)	<b>S</b>	38.3 + 2.0in (973 + 50mm)		
<b>D</b>	21.1in (535mm)	<b>H</b>	64.4 + 2.0in (1,635 + 50mm)	<b>L</b>	24.1in (612mm)	<b>P</b>	31.5in (800mm)	<b>T</b>	28.9 + 2.0in (733 + 50mm)		



## Side Exit



# Ishida WM-Ai B-Type

Layout configurations  
*Drawings not to scale*

DIMENSIONS			
<b>A</b>	39.4 in (1,000mm)	<b>E</b>	58.5 in (1,485mm)
<b>B</b>	11.8 in (300mm)	<b>F</b>	39.4 in (1,000mm)
<b>C</b>	78.9 in (2,005mm)	<b>G</b>	11.8 in (300mm)
<b>D</b>	19.7 in (500mm)	<b>H</b>	78.9 in (2,005mm)

