

JB1010T

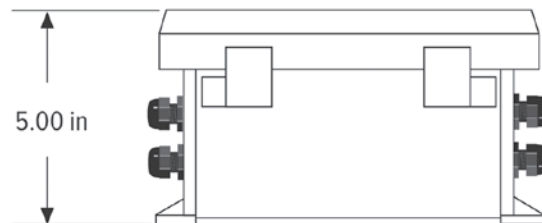
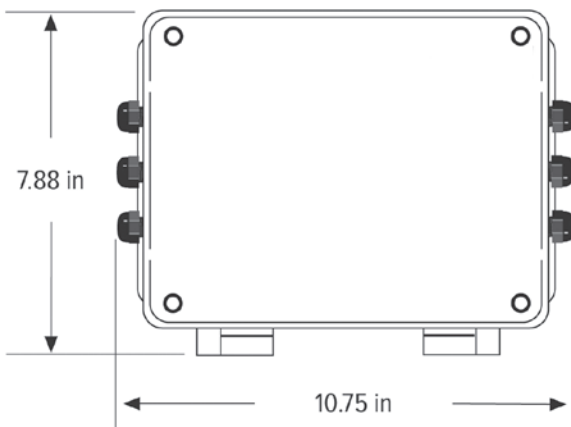
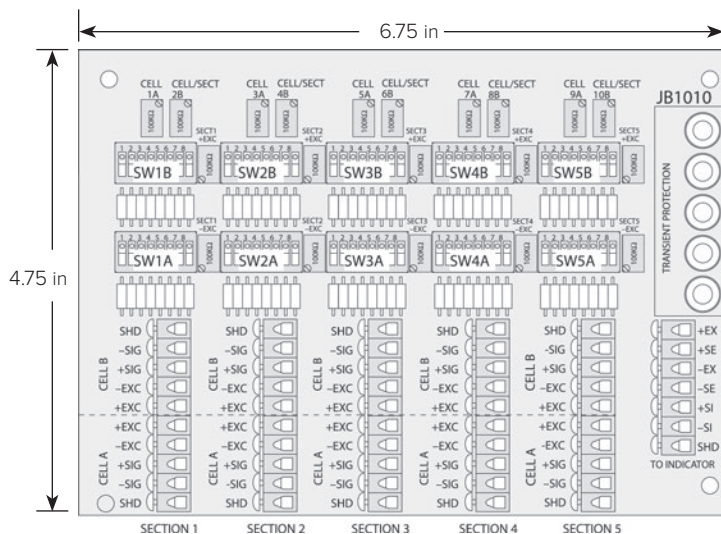
Signal/Excitation Trim Junction Box



Part Number/Price

Part #	Description	Price
36231	JB1010 signal/excitation trim junction box	Consult
36351	Board only	Consult
165276	Enclosure only (includes cord grips)	Consult

Note: Do not mix junction box models or use other brands of junction boxes with Rice Lake junction boxes. There is a risk of system instability.



Standard Features

- Transient protection
- Signal or excitation trim
- Front panel mounting
- Strain relief cable fittings
- Number of cells: 1 through 10
- Trims odd numbers of cells without modification

Applications

- Tank, truck, railroad, hopper and floor scales
- Universal field replacement of existing boxes
- Expansion of existing scales

Specifications

Mounting Centers:

3.75 × 2.31 in (95.2 × 58.7 mm)

Cable Fittings:

Nylon waterproof strain-relief type

Temperature Range:

Operating: 0 °F to 122 °F (-18 °C to 50 °C)

Cable Diameter:

0.079 to 0.314 in

Potentiometers:

100,000 ohm, 25-turn cermet

Trimming:

Individual cell and section signal and excitation trimming

Rating/Material:

NEMA Type 4X

Fiberglass Reinforced Polyester (FRP)

Terminal Block:

Rated 300V/15A; 7-position screw terminal can each accommodate up to #16 AWG

Warranty:

One-year limited

JUNCTION BOXES /
SIMULATORS