



Standard Features

- Jumpers to enable trimming
- PreVent™ breather vent
- Conformal coated circuit board
- Number of cells: two, three or four single cells
- Expansion port

Applications

- Floor, tank, hopper scales

Specifications

Cable Fittings:

- (4) PG7 0.118 to 0.255 in strain relief
- (2) PG11 0.197 to 0.394 in strain relief

Rating/Material:

- NEMA Type 4X
- Stainless steel

Connectors:

- Spring clamp screwless, 12 to 28 AWG

Trimming:

- Individual cell, excitation trim

Temperature:

- Operating: 0 °F to 122 °F (-18 °C to 50 °C)

Potentiometers:

- 100 ohm, 25-turn cermet

Circuit Board:

- 3.8 × 2.3 in, with conformal coating

Warranty:

- One-year limited

Approvals:

- cFMus

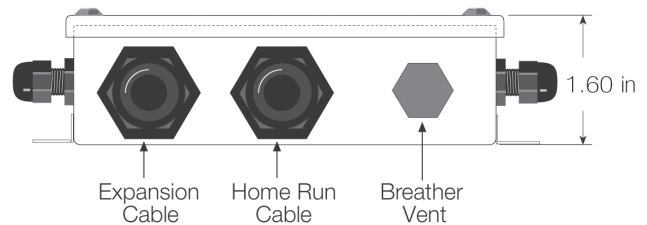
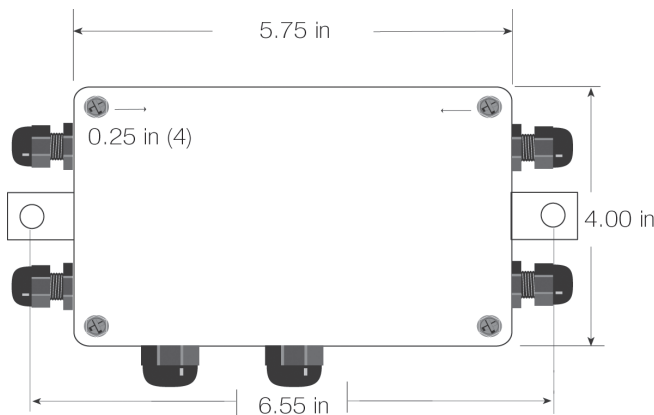
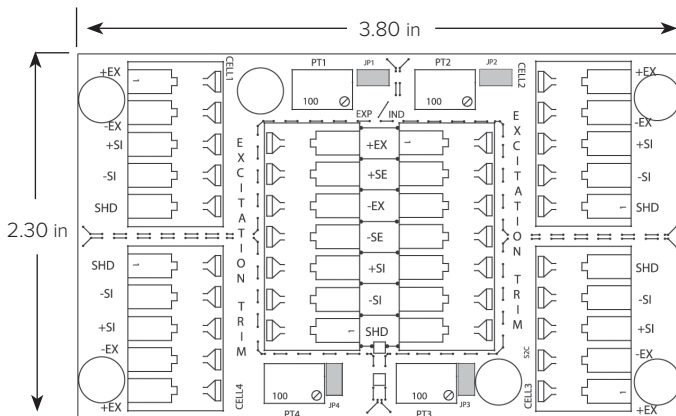
Approvals



Part Number/Price

| Part # | Description | Price |
|--------|---|---------|
| 91779 | JB4ES excitation trim junction box | Consult |
| 89446 | Board only | Consult |
| 165271 | Enclosure only (includes cord grips and filter) | Consult |

Note: Do not mix junction box models or use other brands of junction boxes with Rice Lake junction boxes. There is a risk of system instability.



JUNCTION BOXES /
SIMULATORS