

LaserLight2™

Remote Display



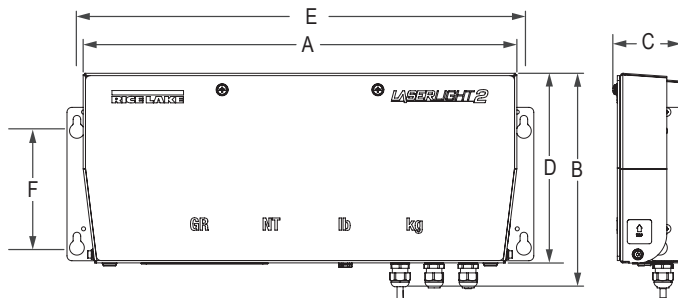
Dimensions

LaserLight2			
22-in Enclosure (Four-in Model)			
A	22.28 in (565 mm)	D	9.80 in (250 mm)
B	10.96 in (280 mm)	E	23.00 in (584 mm)
C	3.28 in (85 mm)	F	6.00 in (152 mm) 3/8 in bolt
31-in Enclosure (Six-in and Stop & Go Models)			
A	30.63 in (780 mm)	D	12.77 in (325 mm)
B	13.94 in (355 mm)	E	31.00 in (787 mm)
C	3.73 in (95 mm)	F	7.75 in (197 mm) 3/8 in bolt

(Flanges add 2.00 in width)

Standard Features

- Available with a 4 in (100 mm) or 6 in (150 mm) digit display
- Six high-intensity red digits (double-row discrete LED)
- Time and date displayed when scale is empty
- Auto Learn mode of communication protocols
- Hold displayed weight (demand input)
- Software selectable standstill mode for no updates while in motion
- Setting for 10 levels, daylight/night intensity
- Non-glare contrast filtered lens
- Mirror (reverse image) function
- Wall mounted with side flanges or with VESA mount
- Gore-Tex® breather vent inhibits internal moisture buildup
- Red, green and arrow lights in stop/go version, set with either digital input or serial command



Specifications

Display:

6-digit, 7-segment discrete red LED lamps
Contrast enhanced optical filtering lens
1 or 2 place decimal or comma indication
4 annunciators for GR, NT, lb, kg
4-inch red, green ball/arrow in stop/go model

Maximum Viewing Distance:

4 in: 100 ft (30 m)
6 in: 150 ft (46 m)

Input Interface:

RS-232, RS-485, 20 mA current loop (active or passive, switch selectable)

Output Interface:

Configurable echo out port or RS-232

Input Data Format:

Baud Rate: 1200, 2400, 4800, 9600 and 19200
Self-learning or software selectable

Character Format:

7 or 8 data bits; even, odd, or no parity; 1 or 2 stop bits, self-learning or software selectable

Update:

Continuous or out-of-motion only;
software selectable

Power Consumption:

AC voltages: 100/240 VAC; 50/60 Hz
4 in: 21 watt
6 in: 27 watt

Time:

Software enable/disable, 12- or 24-hour format

Date:

Software enable/disable, US or ISO format

Rating/Material:

IP66 weather tight, mild steel, powder coated

Weight:

4-inch: 20 lb (9 kg)
6-inch: 25 lb (11 kg)

Temperature:

Operating:
-40 °F to 120 °F (-40 °C to 49 °C)

Warranty:

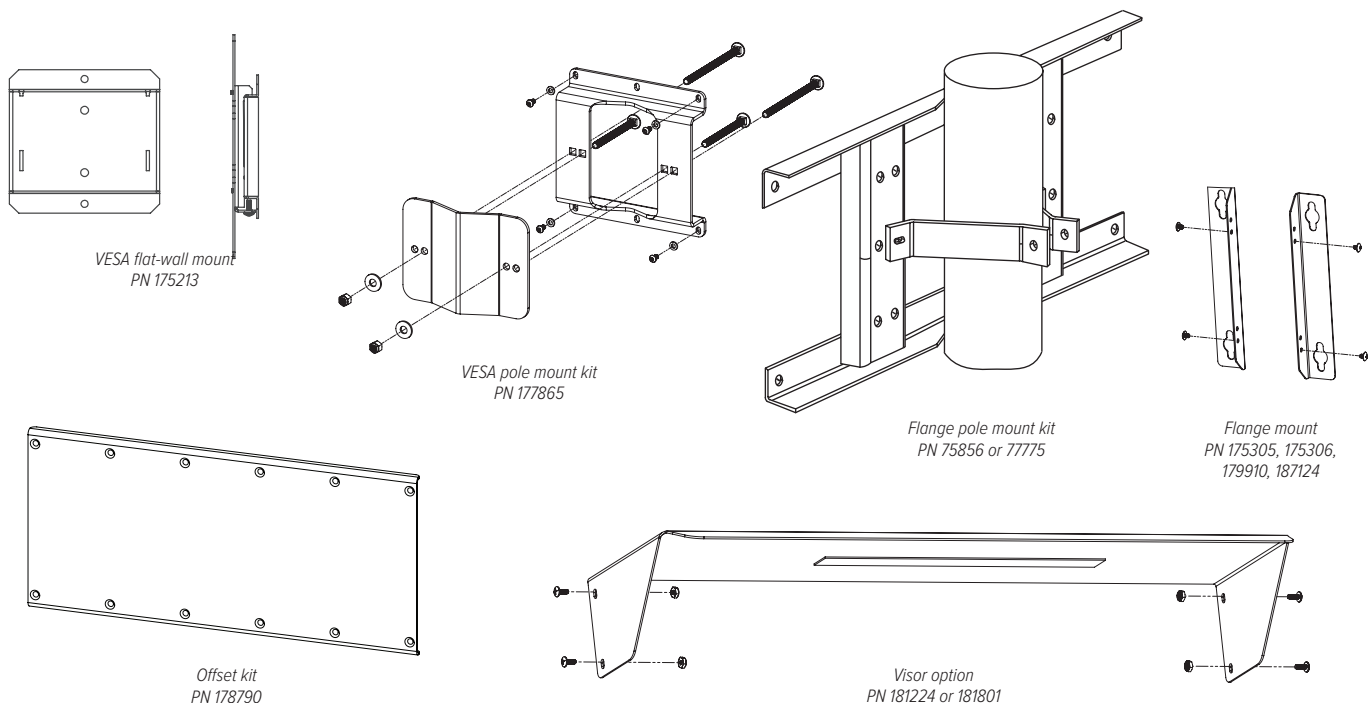
Two-year limited

Part Number/Price

Part #	Description	Est. Weight	Price
Includes Flange Mount Hardware			
167091	LaserLight2 remote display 4-in (100 mm) includes PN 175305	20 lb	Consult
167092	LaserLight2 remote display 6-in (150 mm) includes PN 175306	25 lb	Consult
167093	LaserLight2 remote display stop/go 4-in (100 mm) includes PN 175306	25 lb	Consult
175286	LaserLight2 remote display 4-in (100 mm) stainless steel includes PN 179910	20 lb	Consult
187120	LaserLight2 remote display stop/go 4-in (100 mm) stainless steel includes PN 187124	25 lb	Consult
Includes VESA Mount Hardware			
175860	LaserLight2 remote display 4-in (100 mm) includes PN 175213	20 lb	Consult
175861	LaserLight2 remote display 6-in (150 mm) includes PN 175213	25 lb	Consult
175862	LaserLight2 remote display stop/go 4-in (100 mm) includes PN 175213	25 lb	Consult

Options/Accessories

Part #	Description	Price
175052	Wireless interface, pair of ConnexLink Radios and mount	Consult
214644	Wireless interface, ConnexLink radio client kit	Consult
175213	Mount bracket, VESA flat-wall option (included with VESA mounted remote)	Consult
175305	Mount bracket, 4-in flange option (included with flange mounted remote)	Consult
175306	Mount bracket, 6-in flange option (included with flange mounted remote)	Consult
179910	Mount bracket, 4-in stainless steel flange option (included with flange mounted stainless steel remote)	Consult
187124	Mount bracket, 6-in stainless steel flange option (included with flange mounted stainless steel remote)	Consult
75856	Pole mount kit, 4-in flange option (24-in wide frame for 4-8 in dia. pole)	Consult
77775	Pole mount kit, 6-in and 4-in stop/go flange option (32-in wide frame for 4-8 in dia. pole)	Consult
177865	Pole mount kit, VESA flat-wall option mount for 2-6 inch pole	Consult
178790	Offset kit (right or left flange mount) used with universal pole mount (requires PN 177865)	Consult
181224	Visor for 22 in enclosure (not required for weather protection)	Consult
181801	Visor for 31 in enclosure (not required for weather protection)	Consult



REMOTE DISPLAYS /
SCOREBOARD