

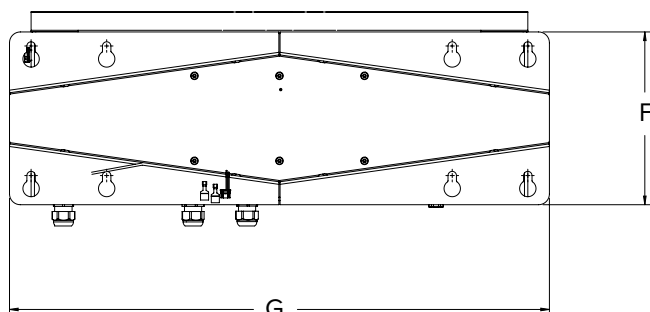
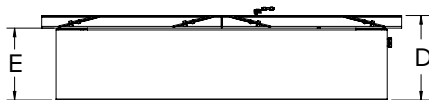
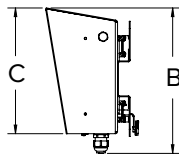
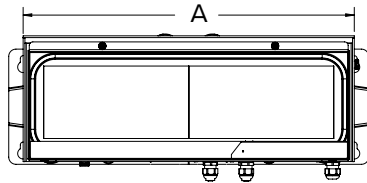
# LaserLight3™

Color Messaging Remote Display



## Dimensions

LaserLight3			
A	23.00 in (584 mm)	E	5.00 in (127 mm)
B	10.10 in (256 mm)	F	8.00 in (203 mm)
C	8.73 in (222 mm)	G	25.02 in (636 mm)
D	5.87 in (149 mm)		



Mount Plate

## Standard Features

- Vibrant 128- by 32-pixel LED color display with non-glare lens; high-intensity digits up to 5 inches tall
- Color commands change background and foreground text
- Auto Learn identifies and interprets the source weight data string for maximum compatibility with a wide range of indicators
- Versatile layout choices include mirror mode, 1-line, 2-line and quadrant format
- Dynamic messaging views can scroll, slide or flash
- Display stop/go light symbols/arrows with digits up to 4 inches tall
- Selectable time/date when weight is at zero
- Integrated weathertight keypad for sending configurable scale commands to the indicator
- Durable IP66 enclosure with Gore-Tex® breather vent to inhibit internal moisture
- RS-232, RS-422, 20 mA and Ethernet TCP/IP
- Mounting options include VESA, flange and pole configurations

## Options

- Wireless LAN, Wi-Fi interface 802.11 a/b/g/n
- Wireless interface, pair of ConnexLink radios and mount
- Pole mount kit for 4 to 8 inch pole
- VESA kit for 2 to 6 inch pole
- Sunshade visor, 8-inch painted steel

## Specifications

### Power Consumption:

AC voltages: 100 to 240VAC; 50/60 Hz  
120 watt (120 VAC)  
95 watt (12 VDC)

### Output Interface:

Ethernet TCP/IP, independently configurable echo port

### Input Data Format:

Baud Rate: 1200, 2400, 4800, 9600, 19200, 38400, 57600 and 115200 self-learning or configurable

### Update:

Continuous or out-of-motion modes  
Message interrupt mode

### Digital I/O:

Four I/O read or set  
5V logic

### Communication Ports:

Ethernet TCP/IP, RS-232, RS-485,  
20 mA passive loop

### Optional

ConnexLink™ wireless radio,  
WLAN interface 802.11 a/b

### Character Format:

7 or 8 data bits; even, odd, or no parity;  
1 or 2 stop bits

### Maximum Viewing Distance:

4-inch character: 100 ft (30 m)  
5-inch character: 150 ft (46 m)

### Viewing Angle:

160°

### Display:

Bright, outdoor color LED lamps  
128 × 32-pixel, 4 mm pitch  
Decimal or comma indication  
Weight display with units and mode  
Message display 1, 2 or 4 lines  
Stop/go and directional arrow

### Keys/Buttons:

Integrated keypad

### Time:

Software enable, 12- or 24-hour format

### Date:

Software enable, US or ISO format

### Dimensions:

(L × W × H)  
25 × 10 × 6 in

### Temperature Range:

Operating: -40 °F to 120 °F (-40 °C to 49 °C)

### Rating/Material:

IP66 weathertight  
Mild steel, powder-coated

### Weight:

Without wall mount:  
14.19 lb (7.81 kg)  
With wall mount:  
20.48 lb (10.66 kg)  
With sunshade:  
29.79 lb (14.88 kg)

### Warranty:

Two-year limited

**Part Number/Price**

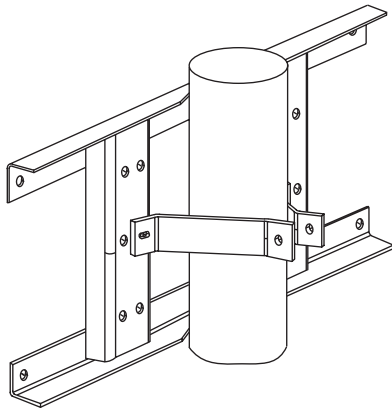
Part #	Description	Est. Weight	Price
<b>Remote Display</b>			
214825	LaserLight3 color 5-inch messaging remote display	20 lb	Consult
<b>Weight Indicator</b>			
205780	LaserLight3 large display weight indicator, 32x128 LED, 115-230 VAC	20 lb	Consult

**Options/Accessories**

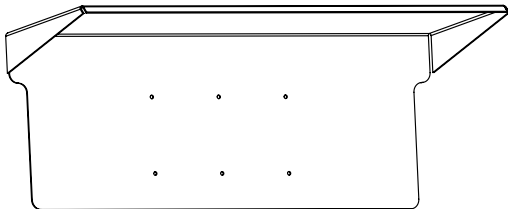
Part #	Description	Price
212745	Pole mount kit, VESA flat-wall, 200 mm W x 100 mm H, 6 fasteners (M4 x 8 mm) for 2-6 inch pole	Consult
75856	Pole mount kit, 4-inch flange style (24-inch wide frame use with 4-8 inch dia. pole)	Consult
208807	Sunshade, 8-inch	Consult
209118	Wireless LAN, RS-232/Wi-Fi interface 802.11 a/b XPico module	Consult
212753	RF interface, paired ConnexLink radios transceiver kit and mount	Consult



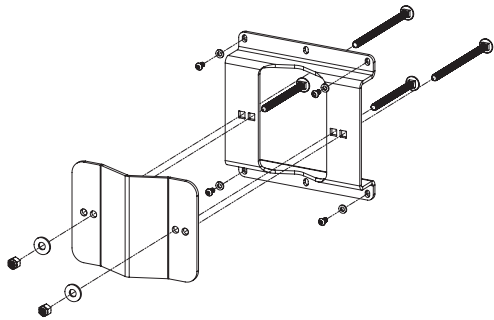
*Optional sun visor*



*Flange pole mount kit  
PN 75856*



*Sunshade  
PN 208807*



*VESA pole mount kit  
PN 212745*

**REMOTE DISPLAYS /  
SCOREBOARD**