

Grounding Strap



Standard Features

- Used in the ITCM assembly
- Tinned copper braid
- Crimped sleeve on ends with 0.25 in hole
- Available in 12 in, 14 in, 16 in, 24 in or 32 in lengths

Part Number/Price

| Part # | Length | Price |
|--------|--------|---------|
| 17778 | 12 in | Consult |
| 17779 | 14 in | Consult |
| 17780 | 16 in | Consult |
| 17781 | 24 in | Consult |
| 17782 | 32 in | Consult |

Ball Bearings



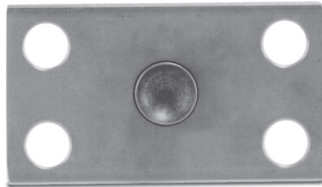
Standard Features

- Use with load cup and load receiver to build a custom scale
- 52100 chrome alloy steel

Part Number/Price

| Part # | Drawing Dimensions | Price |
|--------|--|---------|
| 18815 | 5/8 in diameter crush strength 32,000 lb | Consult |
| 18816 | 7/8 in diameter crush strength 59,000 lb | Consult |
| 65841 | 1.25 in diameter crush strength 100,000 lb | Consult |

Load Receiver Plate

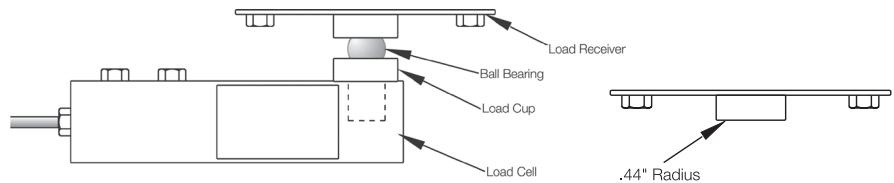
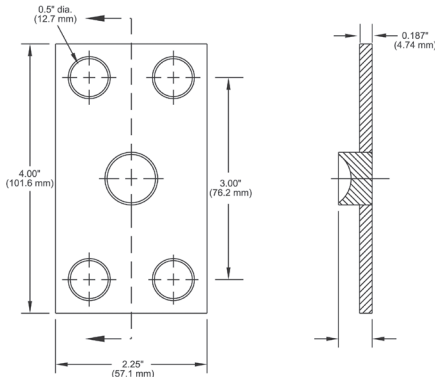


Standard Features

- Design offers accurate point loading
- Self-centering effect built in
- Use with load cup and ball bearings to build a custom scale
- Ball and cup load introduction provides point loading for maximum accuracy
- Stainless steel construction

Part Number/Price

| Part # | Description | Price |
|--------|---------------------|---------|
| 18832 | Load receiver plate | Consult |



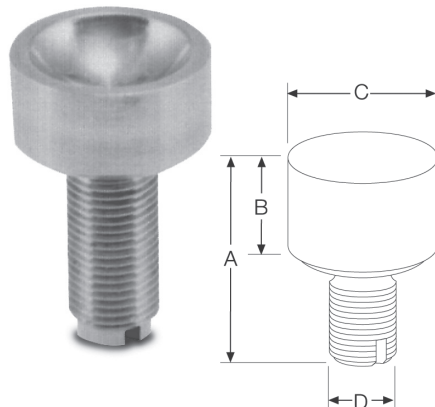
HARDWARE AND ACCESSORIES

Load Cups

Standard Features

- Ball and cup load introduction provides point loading for maximum accuracy
- For use with most popular single-ended beam load cells
- Constructed of 440C stainless steel

Part Number/Price



| Part # | A | B | C | D | Price |
|--------|--|---------|---------|------------|---------|
| 31911 | 1.70 in | 0.54 in | 1.07 in | 1/2-20 UNF | Consult |
| 212364 | 1.70 in | 0.54 in | 1.07 in | M8 | Consult |
| 33654 | 1.12 in | 0.54 in | 0.78 in | 1/2-20 UNF | Consult |
| 33653 | 1.50 in | 0.80 in | 1.12 in | 3/4-16 UNF | Consult |
| 33652 | 2.00 in | 0.85 in | 1.75 in | 1-12 UNF | Consult |
| 33651 | 2.85 in | 0.85 in | 1.75 in | 1-12 UNF | Consult |
| 33650 | 2.85 in | 0.85 in | 1.75 in | 1-14 UNF | Consult |
| 33647 | 2.75 in | 0.50 in | 0.75 in | 1/2-20 UNF | Consult |
| 72364 | 1.78 in | 0.53 in | 0.78 in | 1/2-20 UNF | Consult |
| 69431 | Replacement cup for Cardinal® SCA-50,000 load cell | | | | Consult |