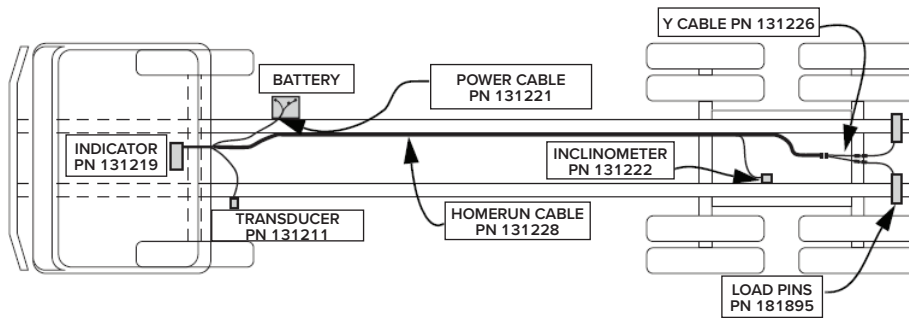




Rice Lake Weighing Systems' onboard scale systems assure optimal and safe use of a truck's payload capacity. The Loadrunner dump truck system incorporates both load cell and hydraulic pressure sensing. Weight information is obtained when the dump body is lifted a few inches off the frame. Speak with one of our product specialists to learn more about how Loadrunner can benefit your fleet operations.

Part Number/Price

Part #	Description	Price
System		
158195	Dump truck system with 2-in load pins, indicator, cables and hardware	Consult



ONBOARD WEIGHING



OB-350 Indicator, PN 131219



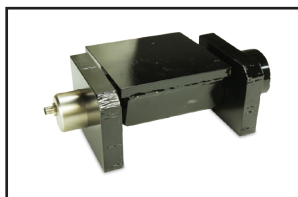
Hydraulic Transducer, PN 131211



Dump Truck Load Pin, PN 181895



Onboard Inclinator, PN 131222



Dump Truck Hardware Kit



Power Cable, PN 131221



Y-Splitter Cable, PN 131226



Homerun Cable, PN 131228

Compatibility note: The Loadrunner dump truck kit has been designed for use on dual pin hinge pivot type dump bodies only. For dump truck body rear pivot assemblies using a single hinge bar, contact Rice Lake.