

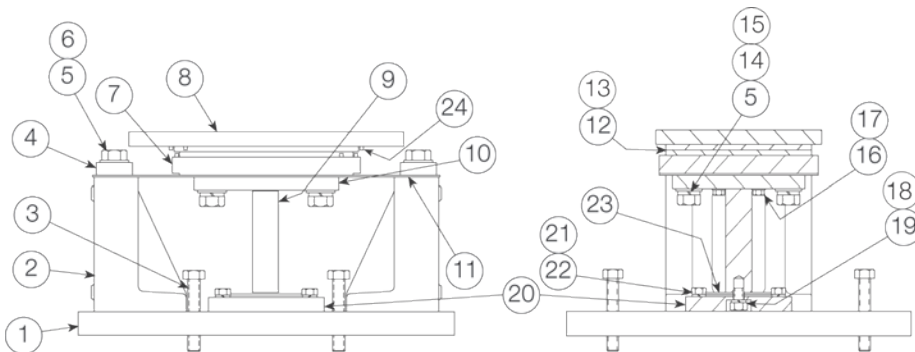
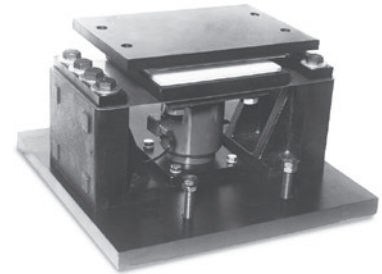
# Truck and Railroad Truck Mount Assembly

Magnamount® Tank

## Part Number/Price

Ref#	Part#	Description	Price
	<b>25707</b>	Installation manual	Consult
<b>Rated Capacity: 50,000 lb</b>			
1	<b>22163</b>	Base plate	Consult
2	<b>22165</b>	Stand	Consult
3	<b>22281</b>	Hex-head leveling screw	Consult
4	<b>22155</b>	Anchor block	Consult
5	<b>15177</b>	Washer, plain	Consult
6	<b>22255</b>	Bolt, hex-head, grade 5	Consult
7	<b>22152</b>	Bottom plate	Consult
8	<b>22158</b>	Retaining plate	Consult
9	<b>22153</b>	Dummy load cell	Consult
	<b>17590</b>	Load cell, RTI CP - 50,000 lb	Consult
	<b>21650</b>	Load cell, RTI CSP - 50,000 lb	Consult
	<b>32701</b>	Load cell, RLCSP1 - 50,000 lb	Consult
10	<b>22161</b>	Top mounting plate	Consult
11	<b>22156</b>	Flexure plate	Consult
12	<b>22159</b>	Fabreeka pad (top)	Consult
13	<b>22160</b>	Fabreeka pad (bottom)	Consult
14	<b>15179</b>	Lock washer	Consult
15	<b>22256</b>	Screw, hex-head, grade 5	Consult
18 & 21	<b>15167</b>	Lock washer	Consult
19	<b>22257</b>	Screw, hex-head, grade 5	Consult
20	<b>22154</b>	Load cell mounting plate	Consult
22	<b>15059</b>	Screw, hex-head, grade 8	Consult
23	<b>22157</b>	Shim	Consult
24	<b>15263</b>	Tension pin	Consult
<b>Rated Capacity: 100,000 lb</b>			
1	<b>22339</b>	Base plate	Consult
2	<b>22341</b>	Stand	Consult
3	<b>22281</b>	Hex-head leveling screw	Consult
4	<b>22342</b>	Anchor block	Consult
5 & 14	<b>15179</b>	Lock washer	Consult
6	<b>22343</b>	Bolt, hex-head, grade 5	Consult
7	<b>22344</b>	Bottom plate	Consult
8	<b>22345</b>	Retaining plate	Consult

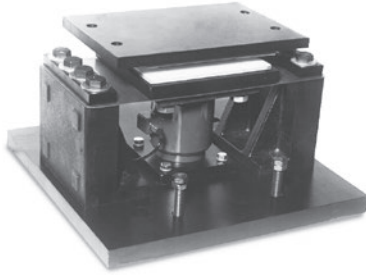
(See Diagram MagnaMount-A)



MagnaMount-A

# Magnamount® Tank

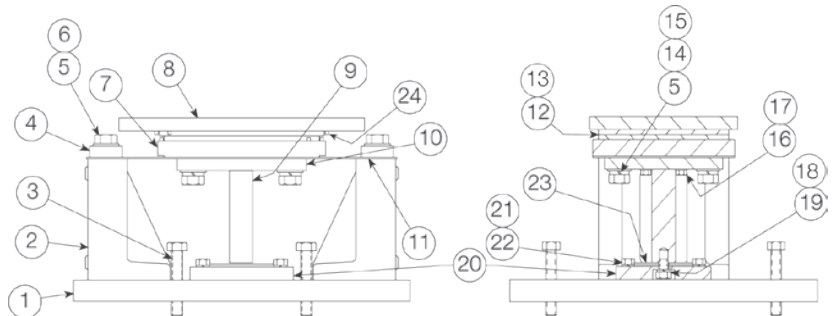
Truck and Railroad Truck Mount Assembly



## Part Number/Price

Ref#	Part#	Description	Price
<b>Rated Capacity: 100,000 lb</b>			
9	22346	Dummy load cell	Consult
	17591	Load cell, RTI CP - 100,000 lb	Consult
	21651	Load cell, RTI CSP - 100,000 lb	Consult
	32700	Load cell, RL CSP1 - 100,000 lb	Consult
10	22347	Top mounting plate	Consult
11	22349	Flexure plate	Consult
12	22348	Fabreeka pad (top)	Consult
13	22350	Fabreeka pad (bottom)	Consult
15	22351	Screw, hex-head, grade 5	Consult
18	15181	Lock washer 3/4 in	Consult
19	15096	Screw, hex-head, grade 5	Consult
20	22352	Load cell mounting plate	Consult
21	22353	Lock washer	Consult
22	15091	Screw, hex-head, grade 8	Consult
23	18498	Shim	Consult
24	15263	Tension pin	Consult
<b>Rated Capacity: 200,000 lb</b>			
1	18483	Base plate	Consult
2	18488	Stand	Consult
3	102145	Leveling bolt	Consult
4	18489	Anchor block	Consult
5	15183	Washer, plain	Consult
6	14794	Bolt, hex-head, grade 5	Consult
7	18493	Bottom plate	Consult
8	18496	Retaining plate	Consult
9	18485	Dummy load cell	Consult
	17592	Load cell, RTI CP - 200,000 lb	Consult
	21652	Load cell, RTI CSP - 200,000 lb	Consult
	32699	Load cell, RLCSP1 - 200,000 lb	Consult
10	18486	Top mounting plate	Consult
11	18491	Flexure plate	Consult
12	18495	Fabreeka pad (top)	Consult
13	18494	Fabreeka pad (bottom)	Consult
14	15185	Lock washer	Consult
15	14793	Screw, hex-head, grade 5	Consult
16	15173	Washer, flat	Consult
17	22096	Screw, hex-head, grade 5	Consult
18	15181	Lock washer 3/4 in	Consult
19	15096	Screw, hex-head, grade 5	Consult
20	18484	Load cell mounting plate	Consult
21	22353	Lock washer	Consult
22	14771	Screw, hex-head, grade 2	Consult
23	18498	Shim	Consult
24	15263	Tension pin	Consult

(See Diagram MagnaMount-B)



MagnaMount-B